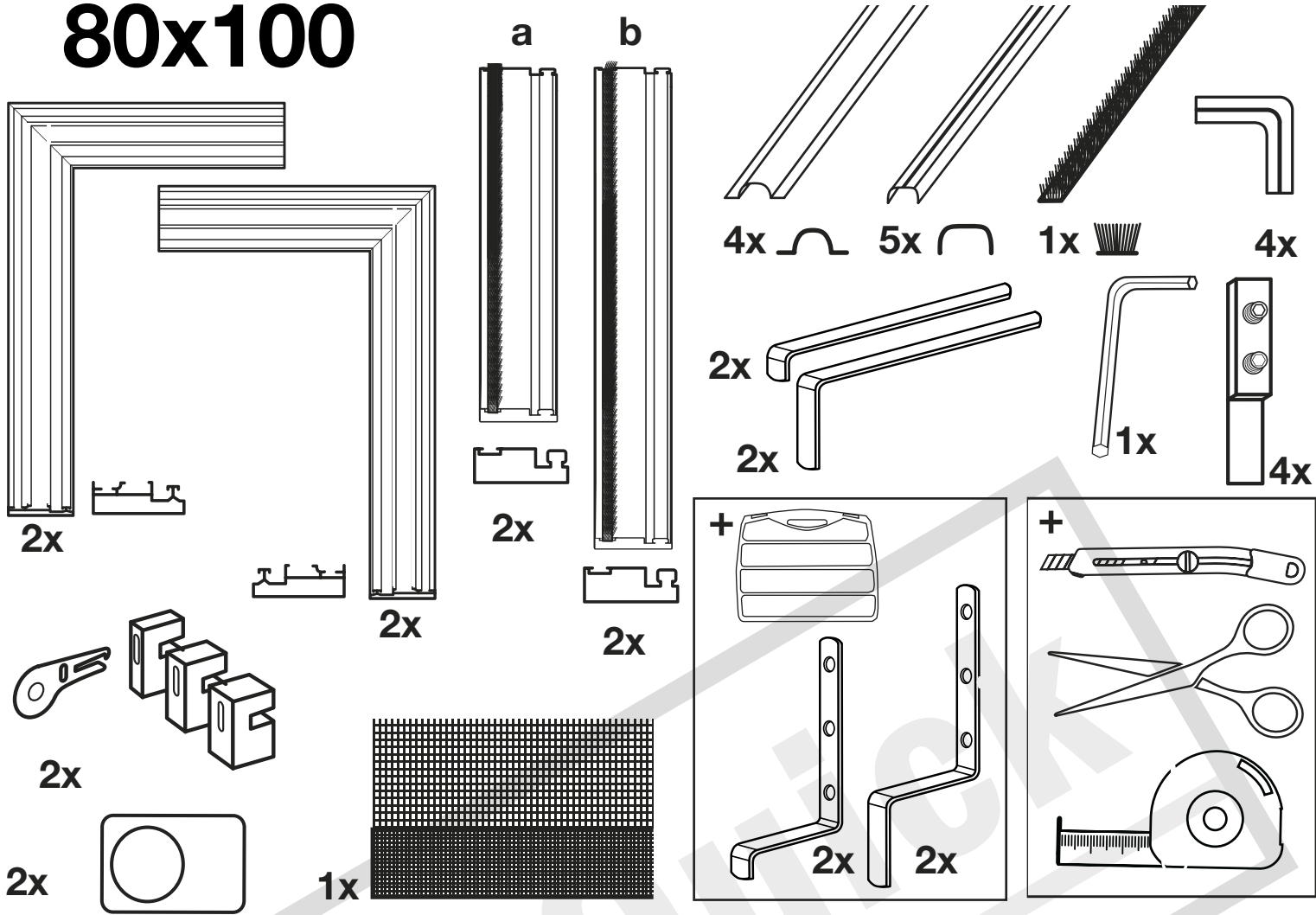
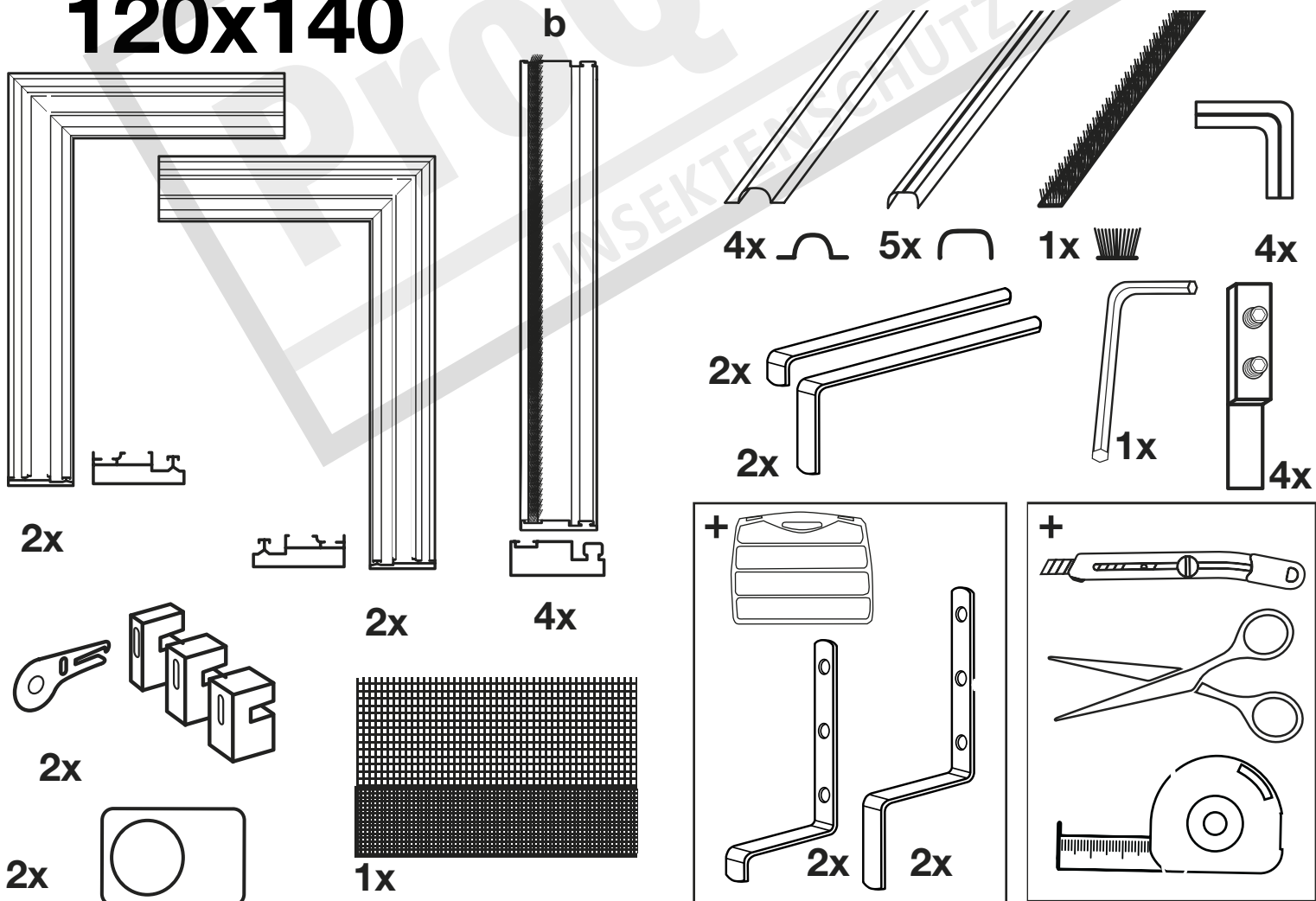


Proquack
INSEKTENSCHUTZ

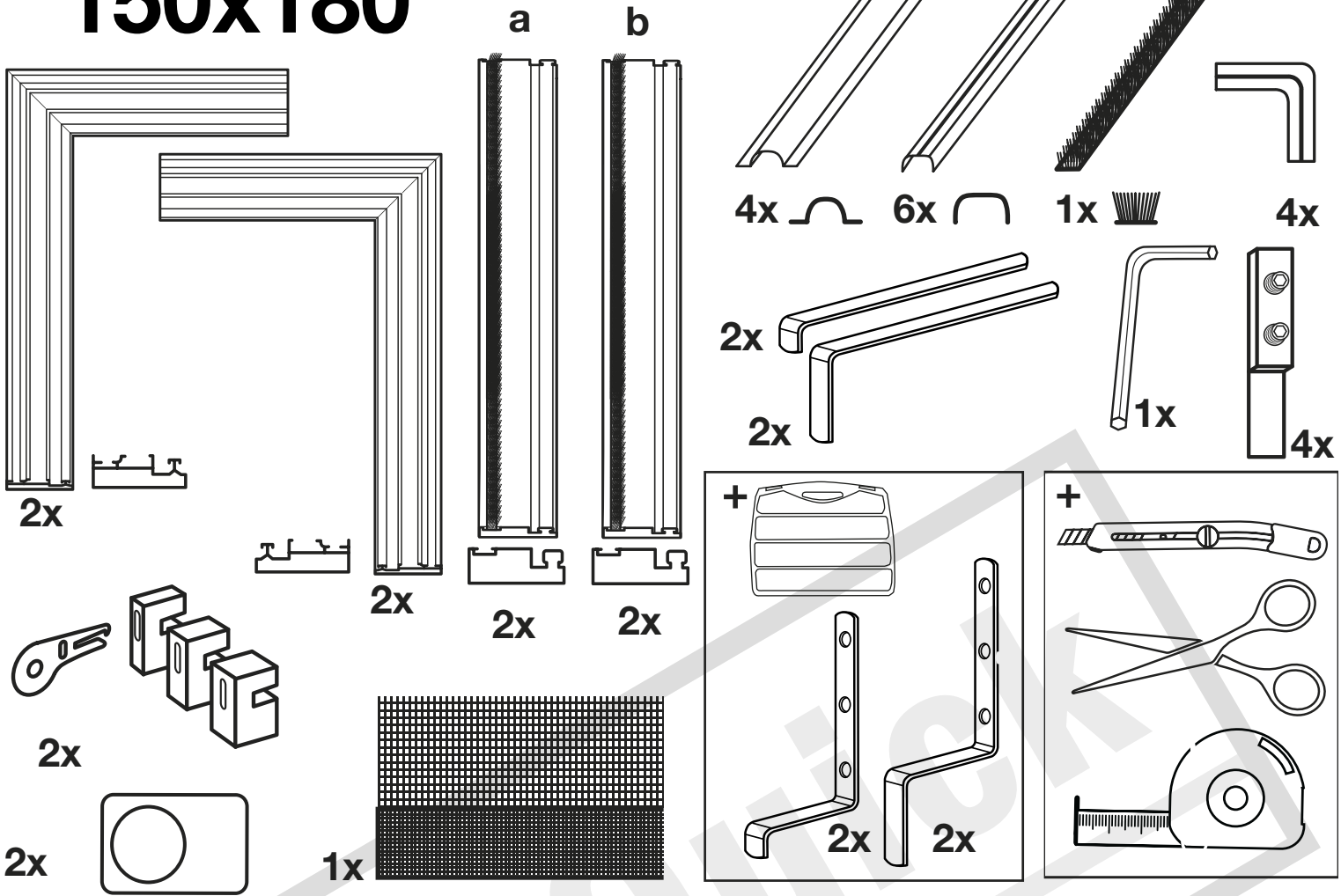
80x100



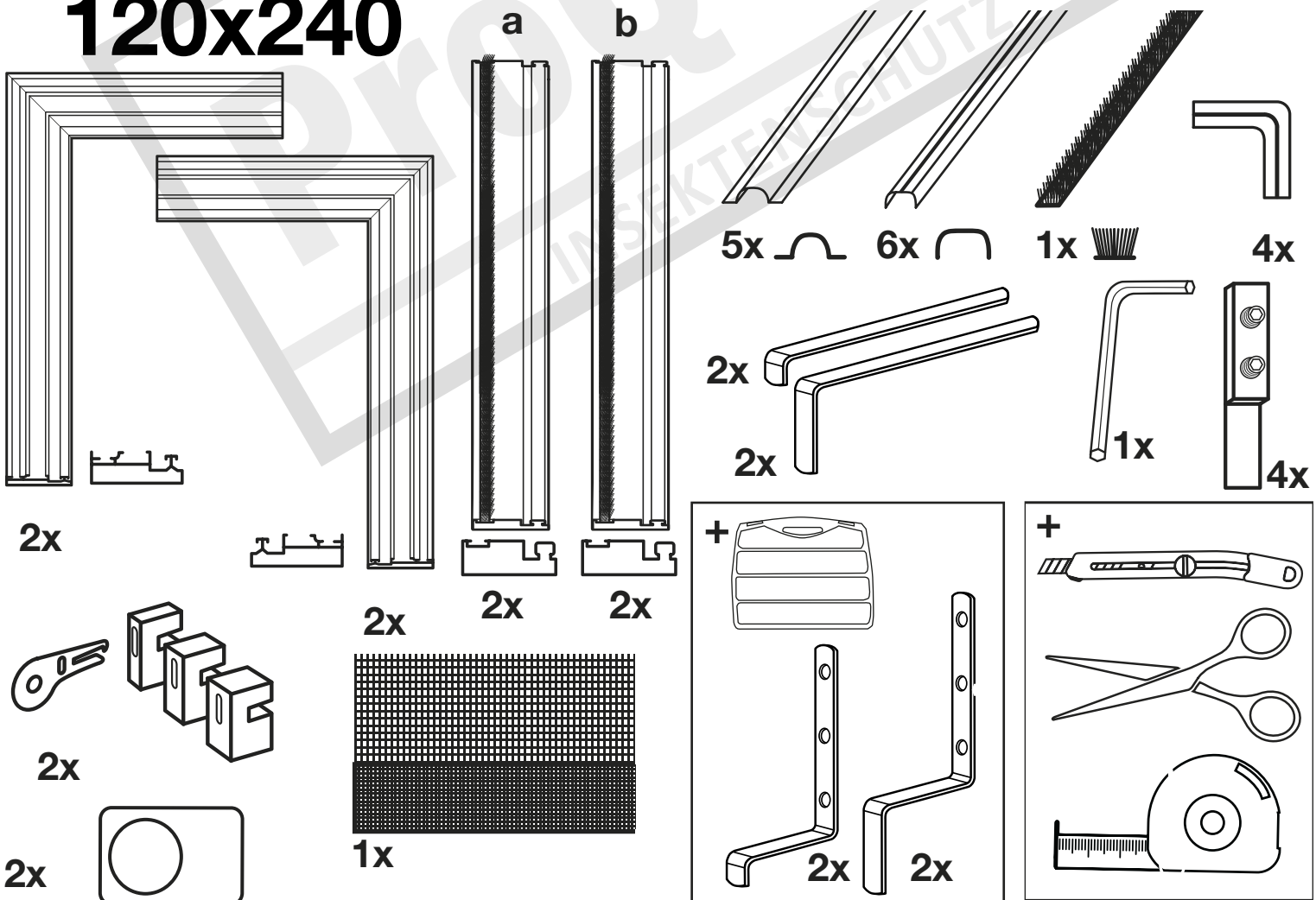
120x140

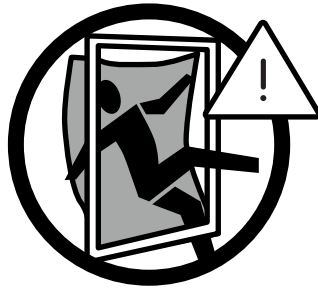
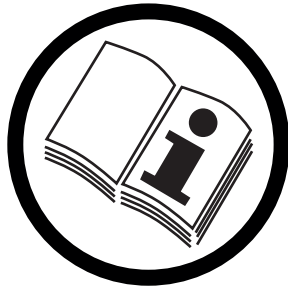


150x180

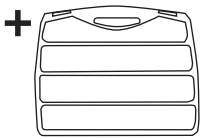


120x240

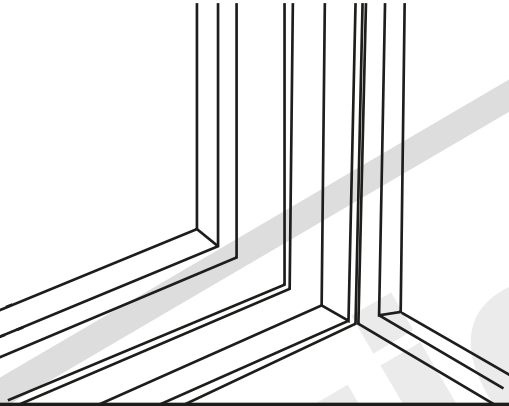




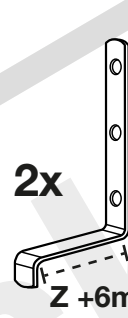
1a



Z

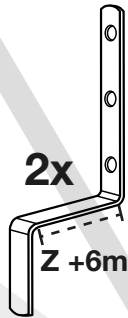


2x

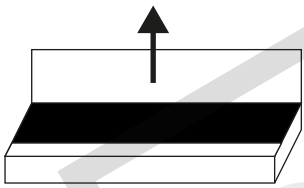


Z + 6mm

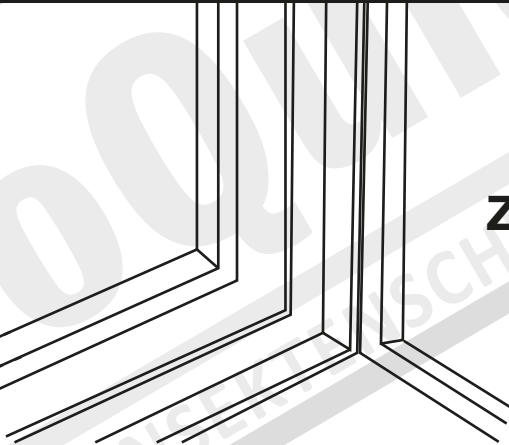
2x



Z + 6mm



Z

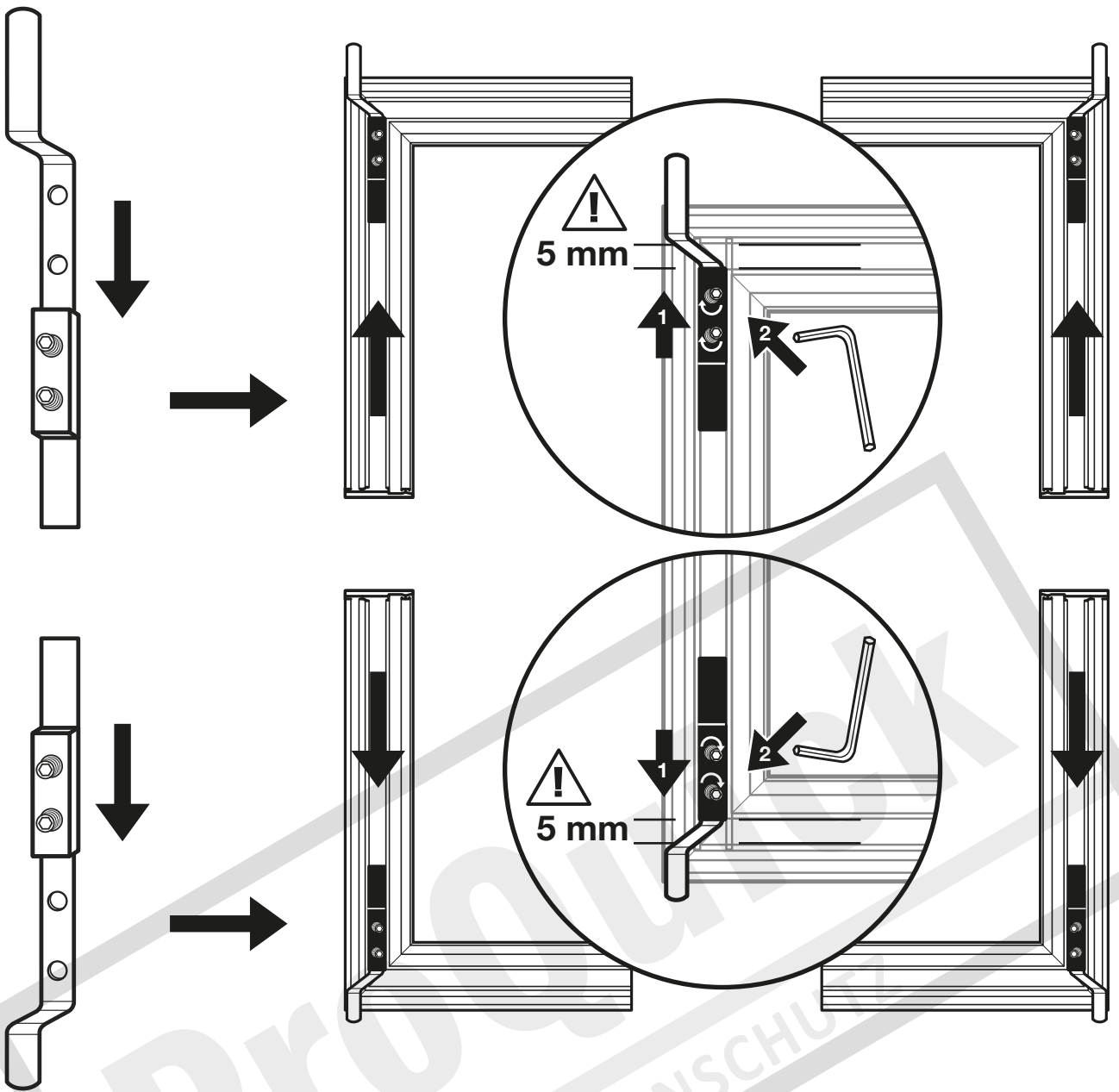


Z + 6 mm

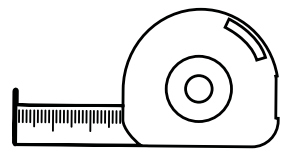
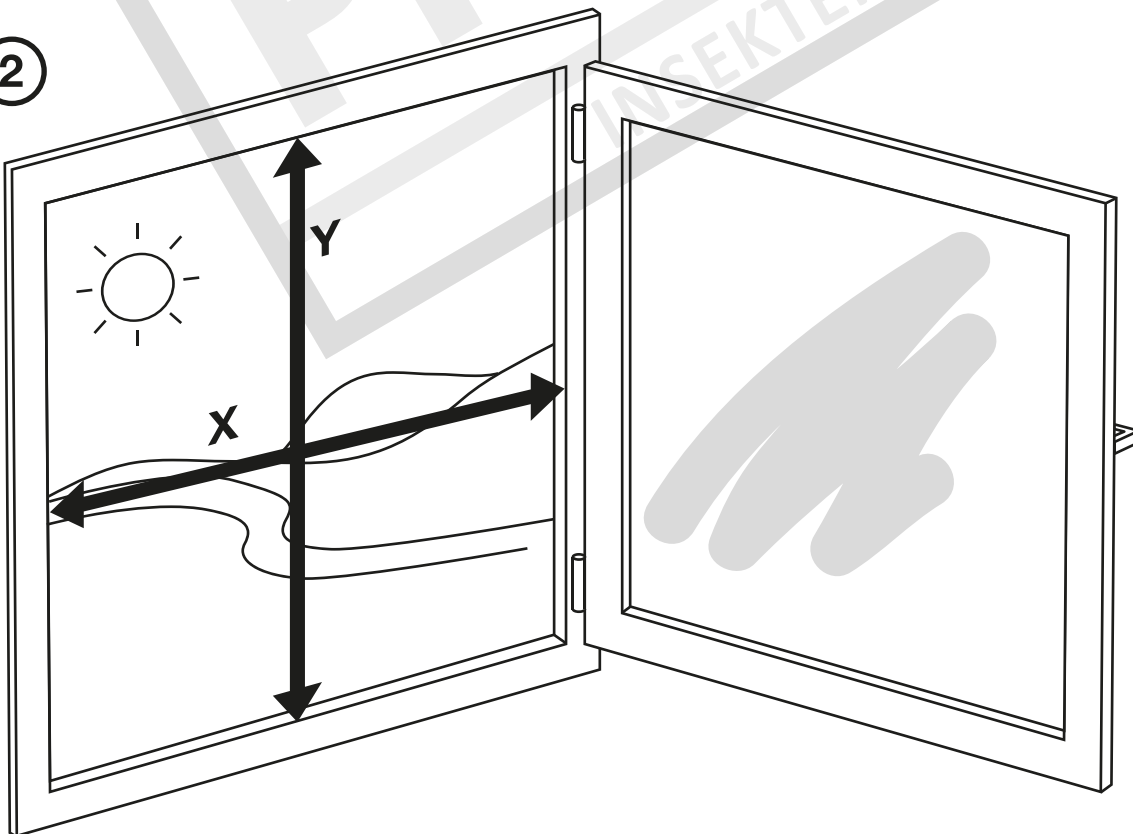


4x

1b



2

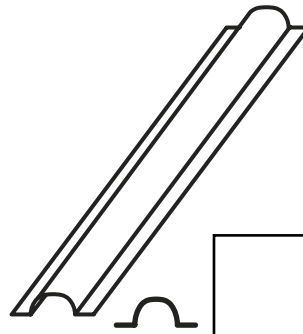


X = _____ mm

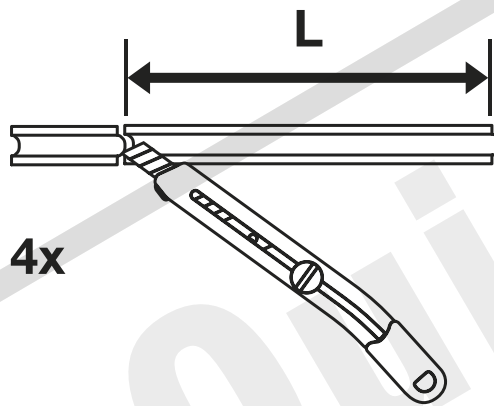
Y = _____ mm

3

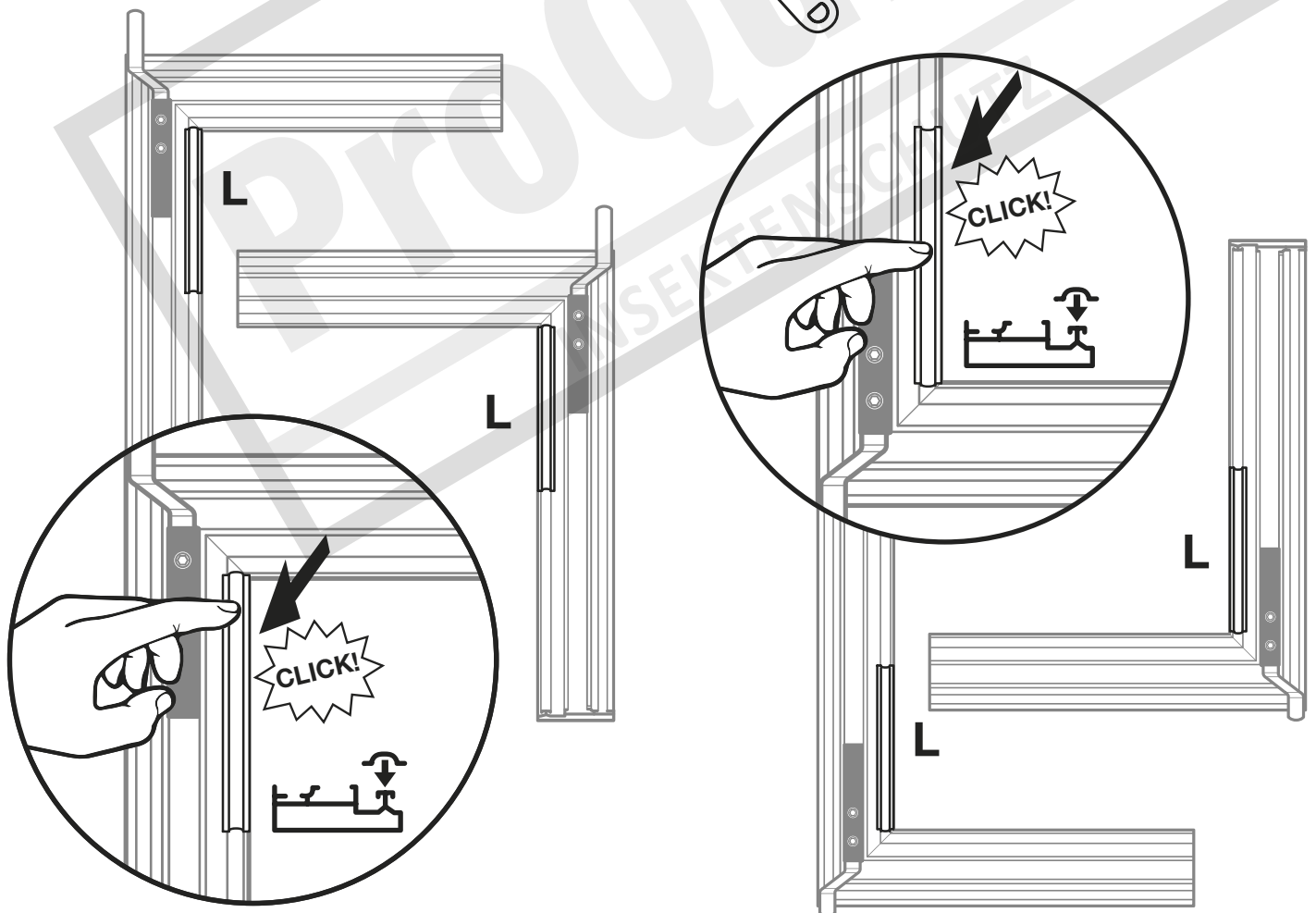
120x140	150x180	120x240
Y = _____ mm		
$L = \frac{Y}{2} - 380 =$ _____ mm		



80x100
Y = _____ mm
$L = \frac{Y}{2} - 265 =$ _____ mm



4x

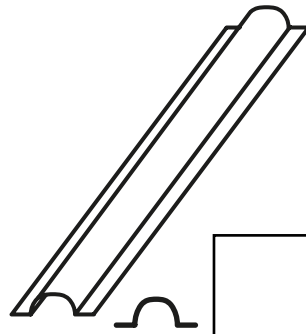


4

120x140 150x180 120x240

X = _____ mm

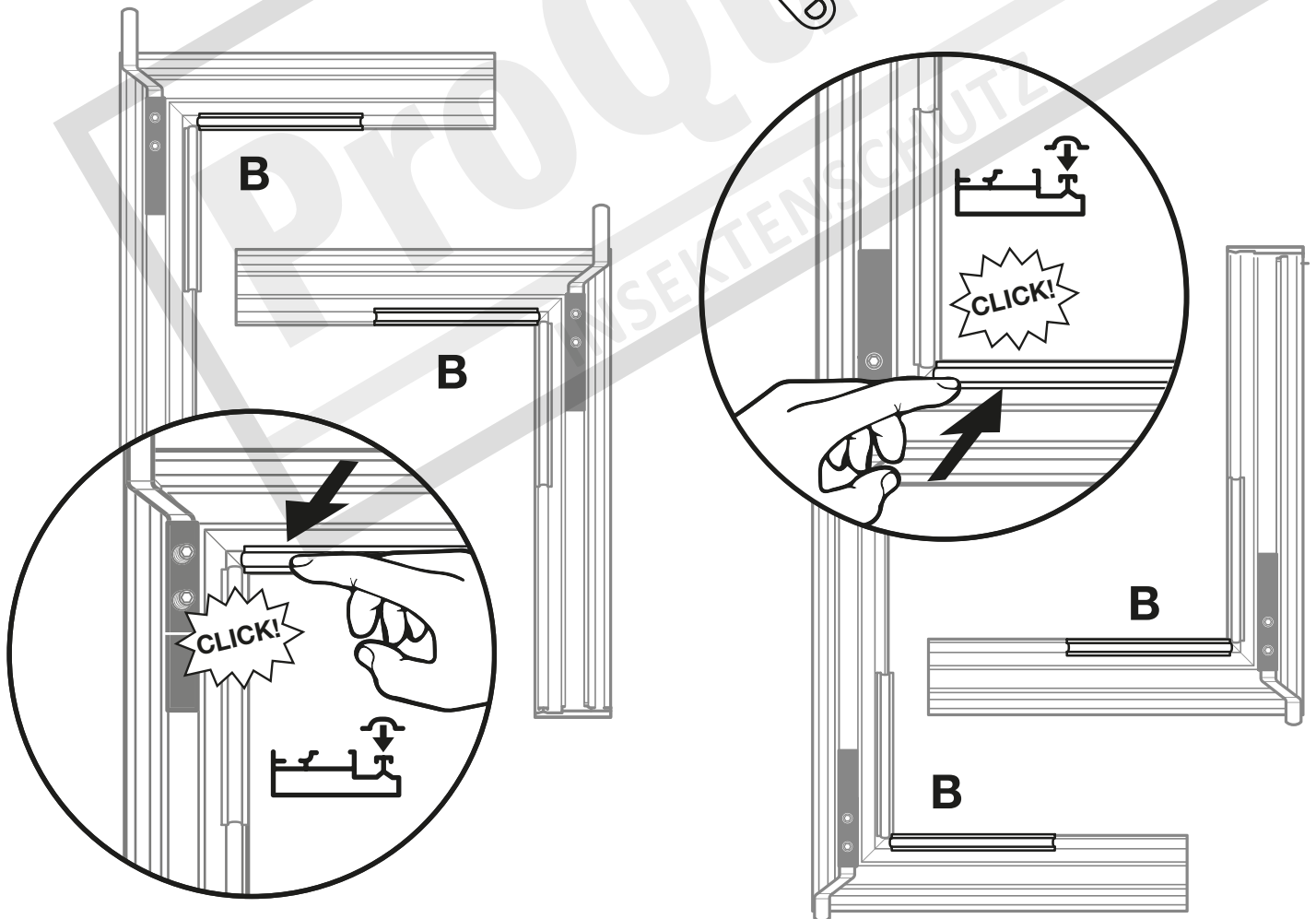
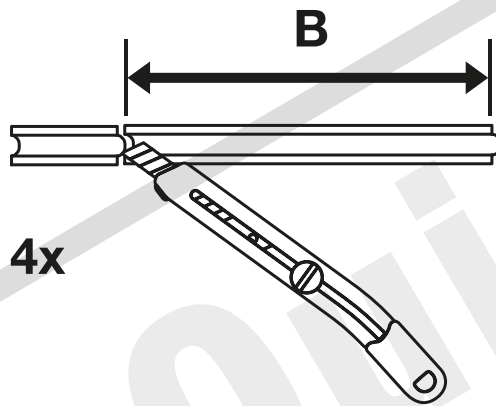
$B = \frac{X}{2} - 385 =$ _____ mm



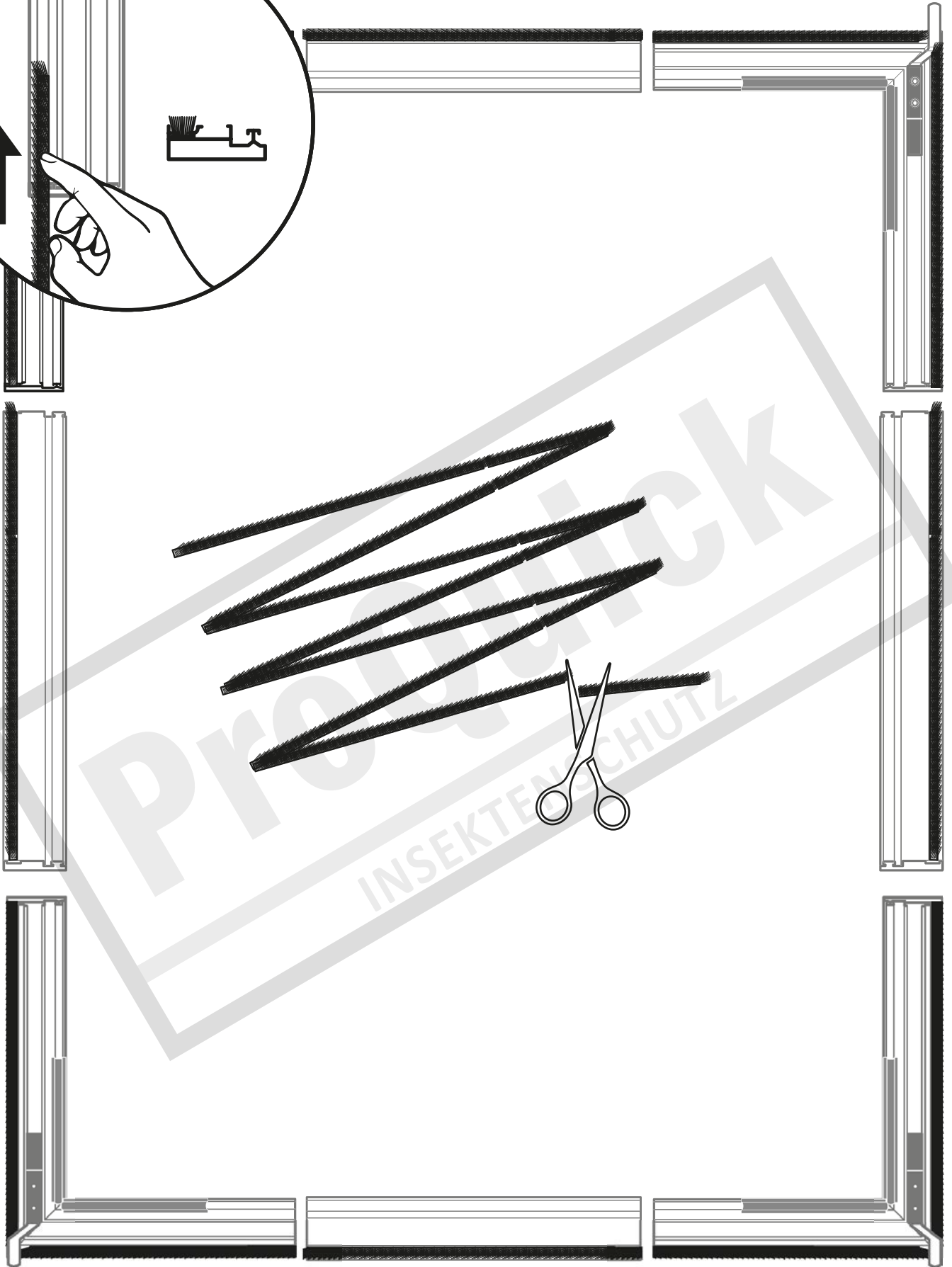
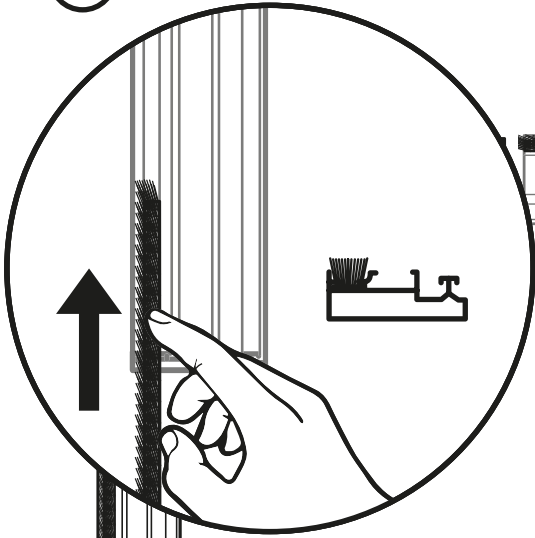
80x100

X = _____ mm

$B = \frac{X}{2} - 235 =$ _____ mm

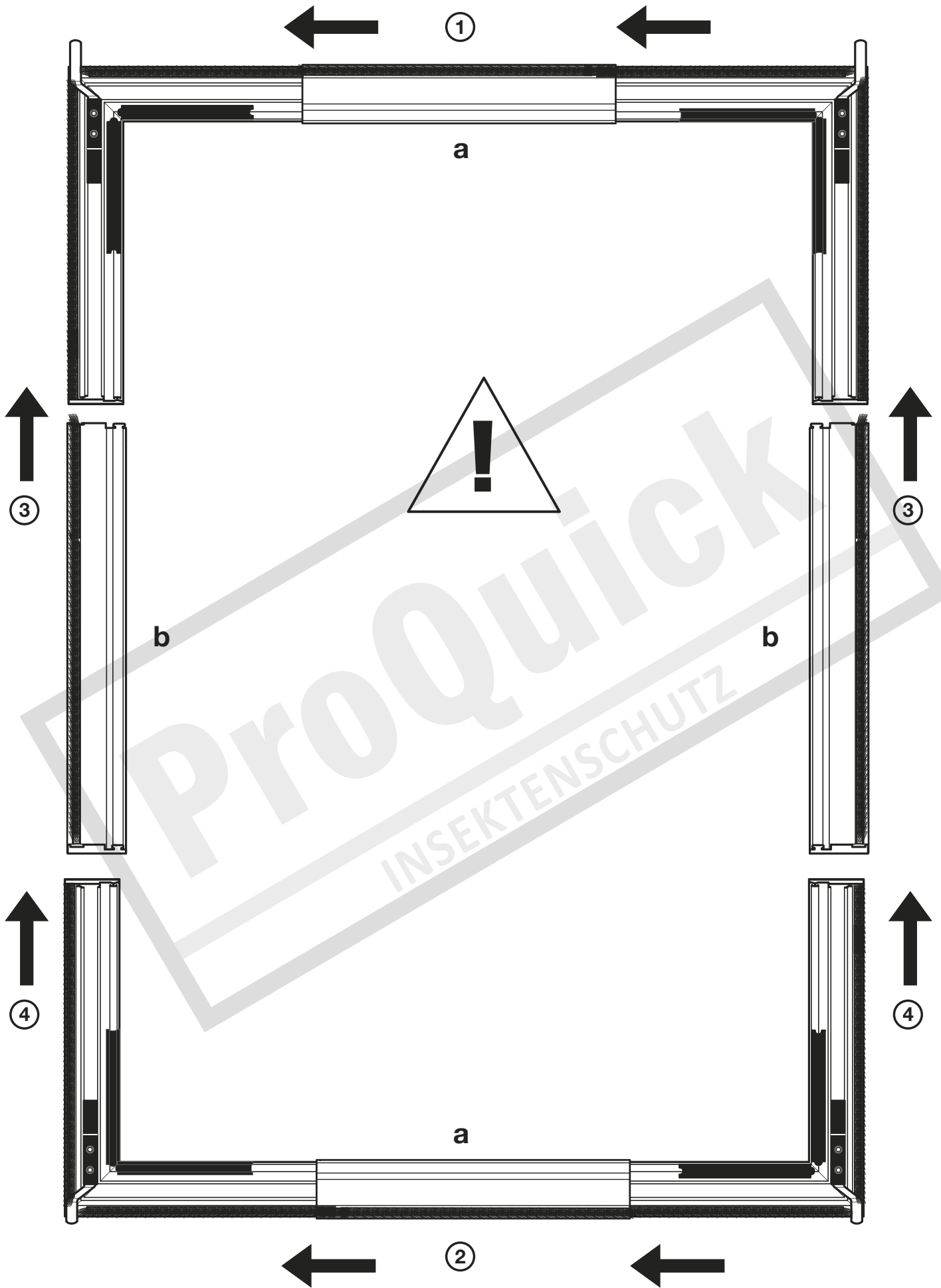


5

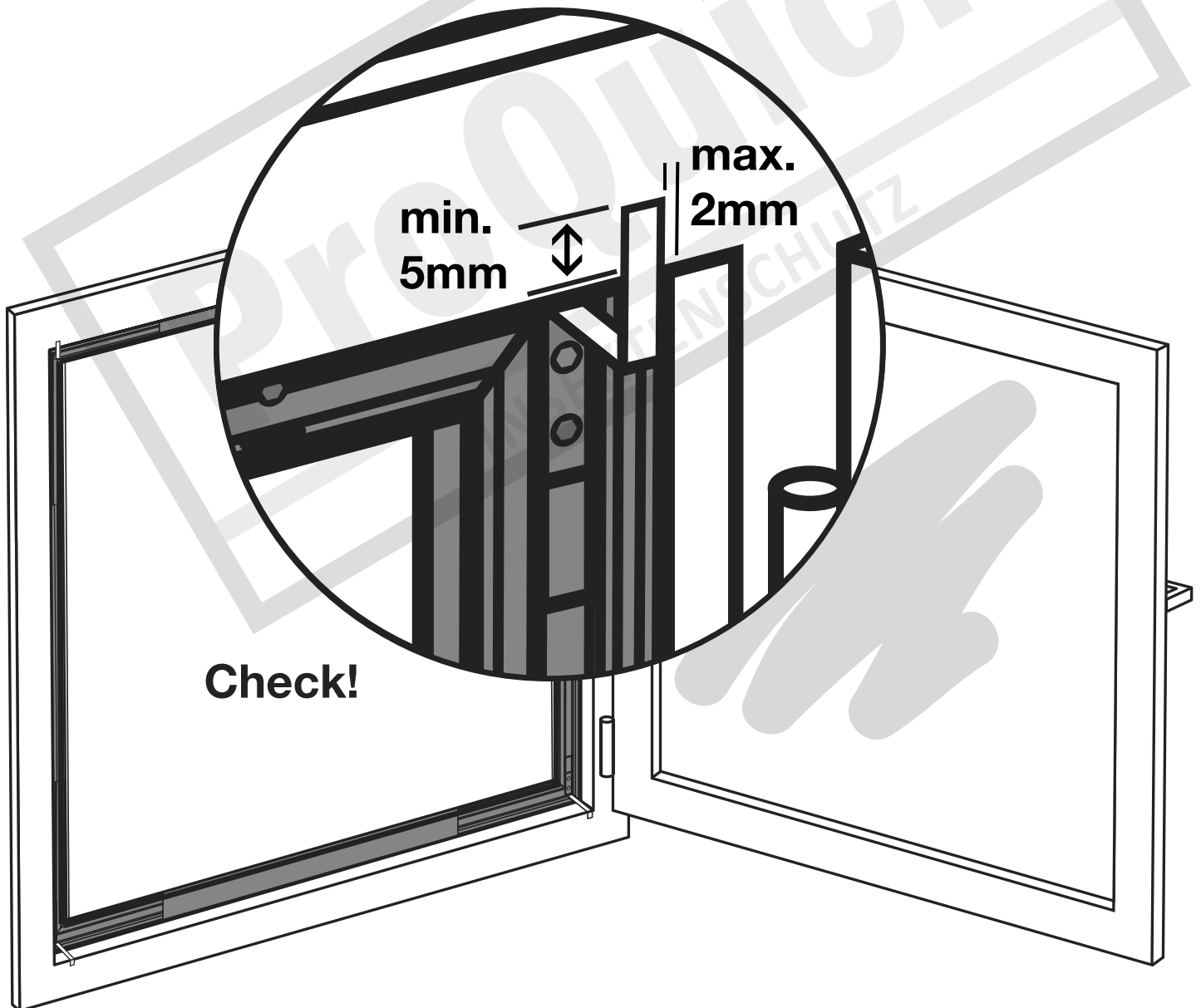
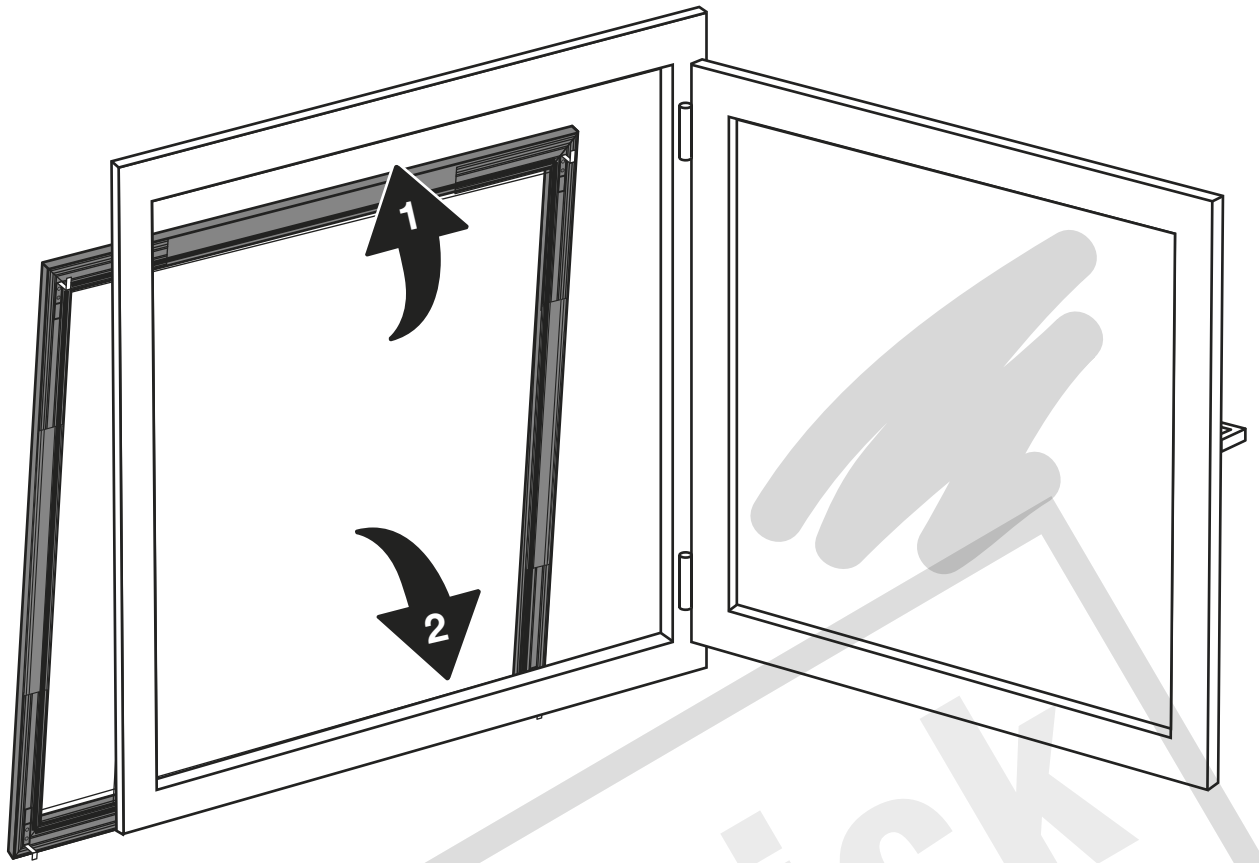


Produkt
INSEKTENSCHUTZ

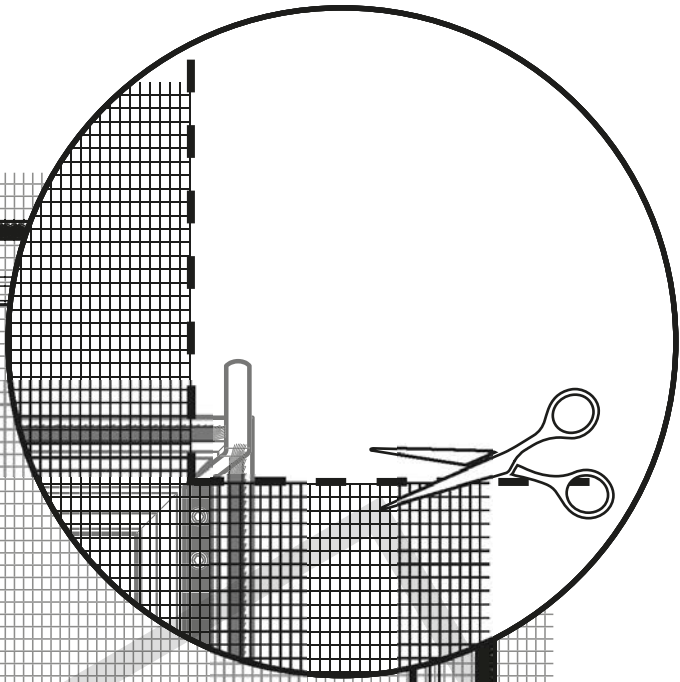
6



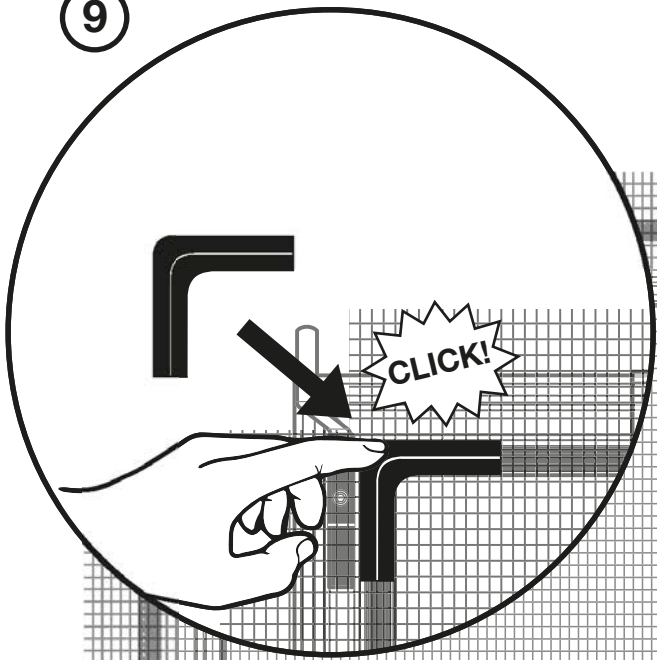
7



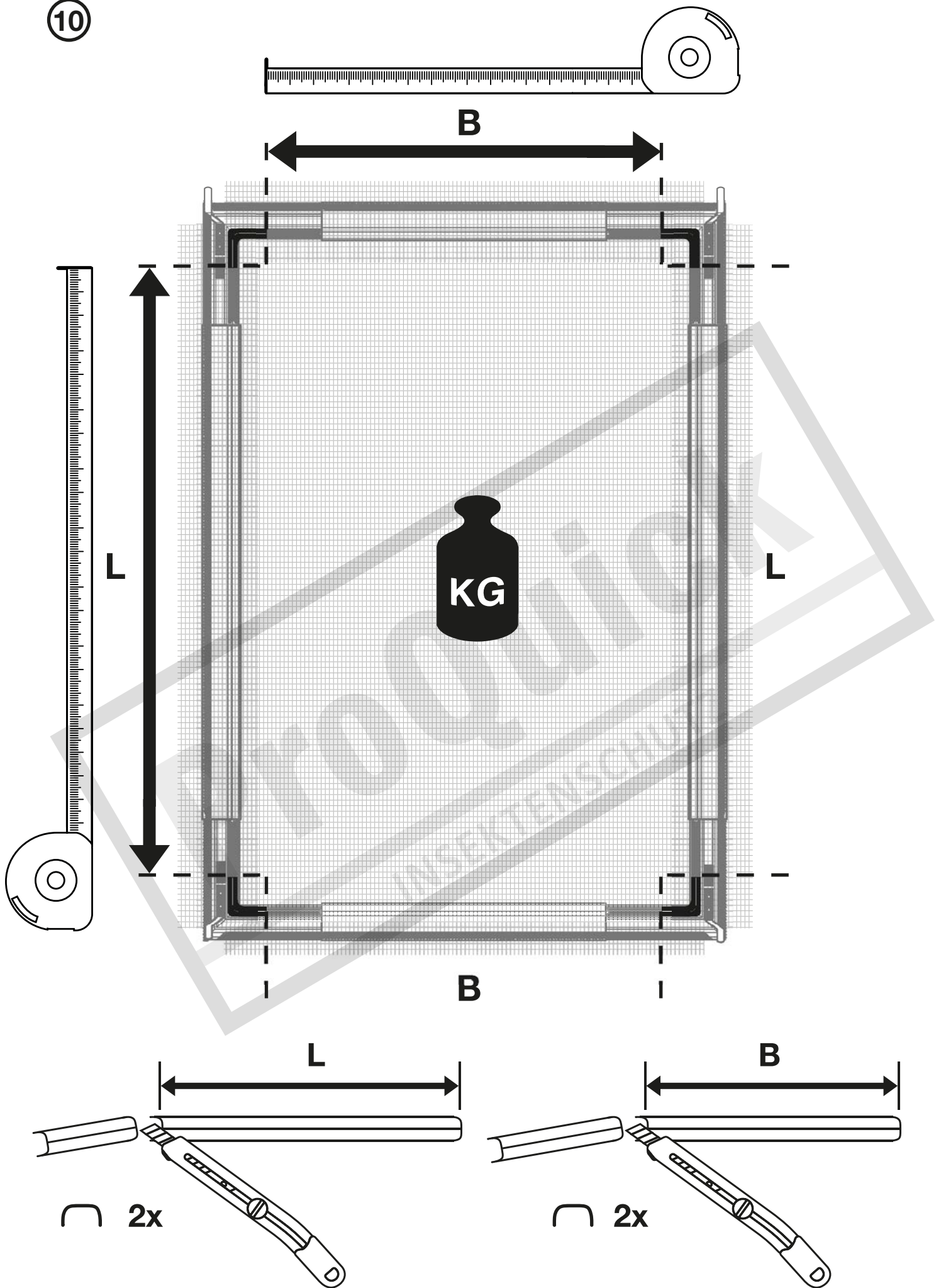
8



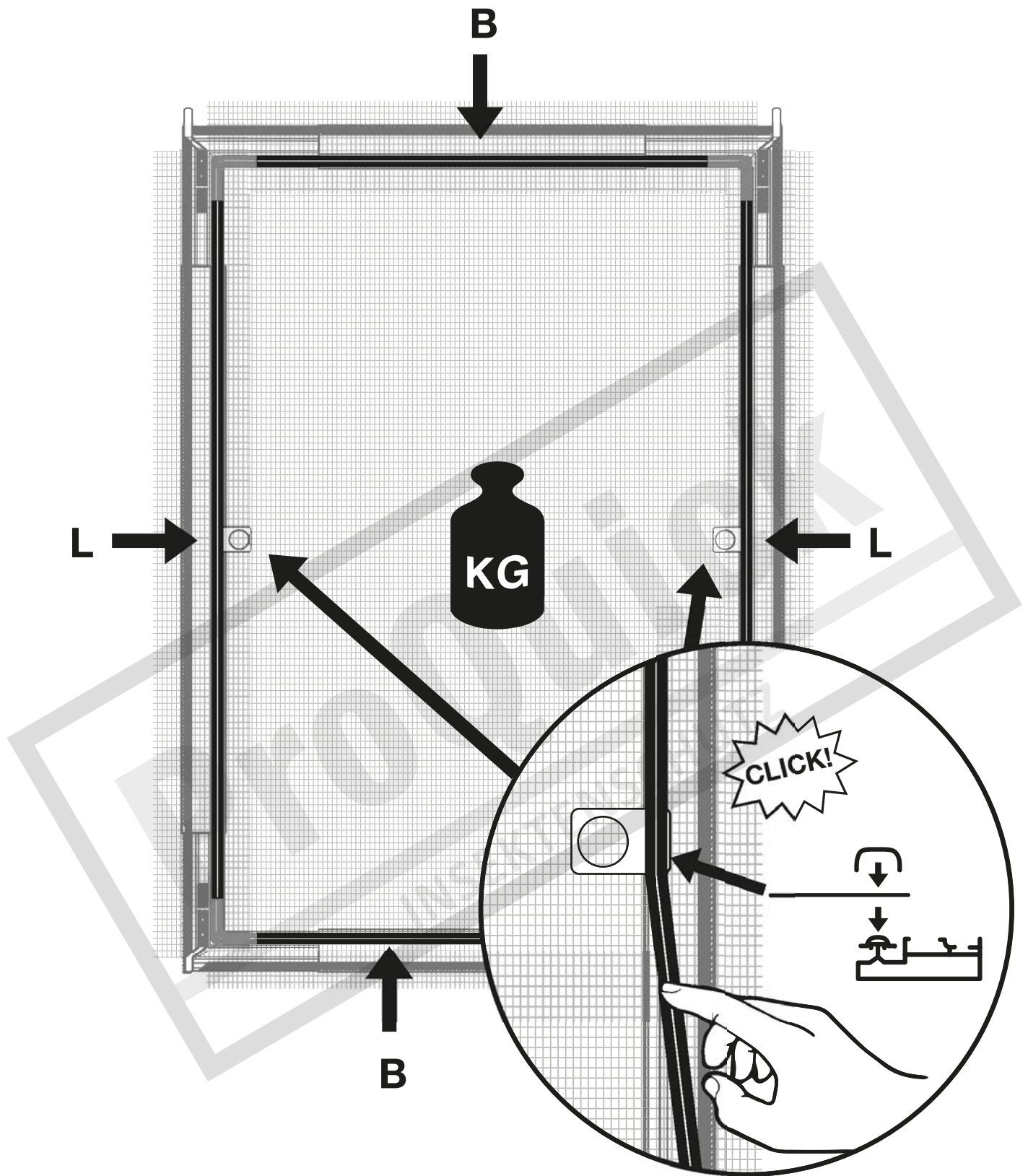
9



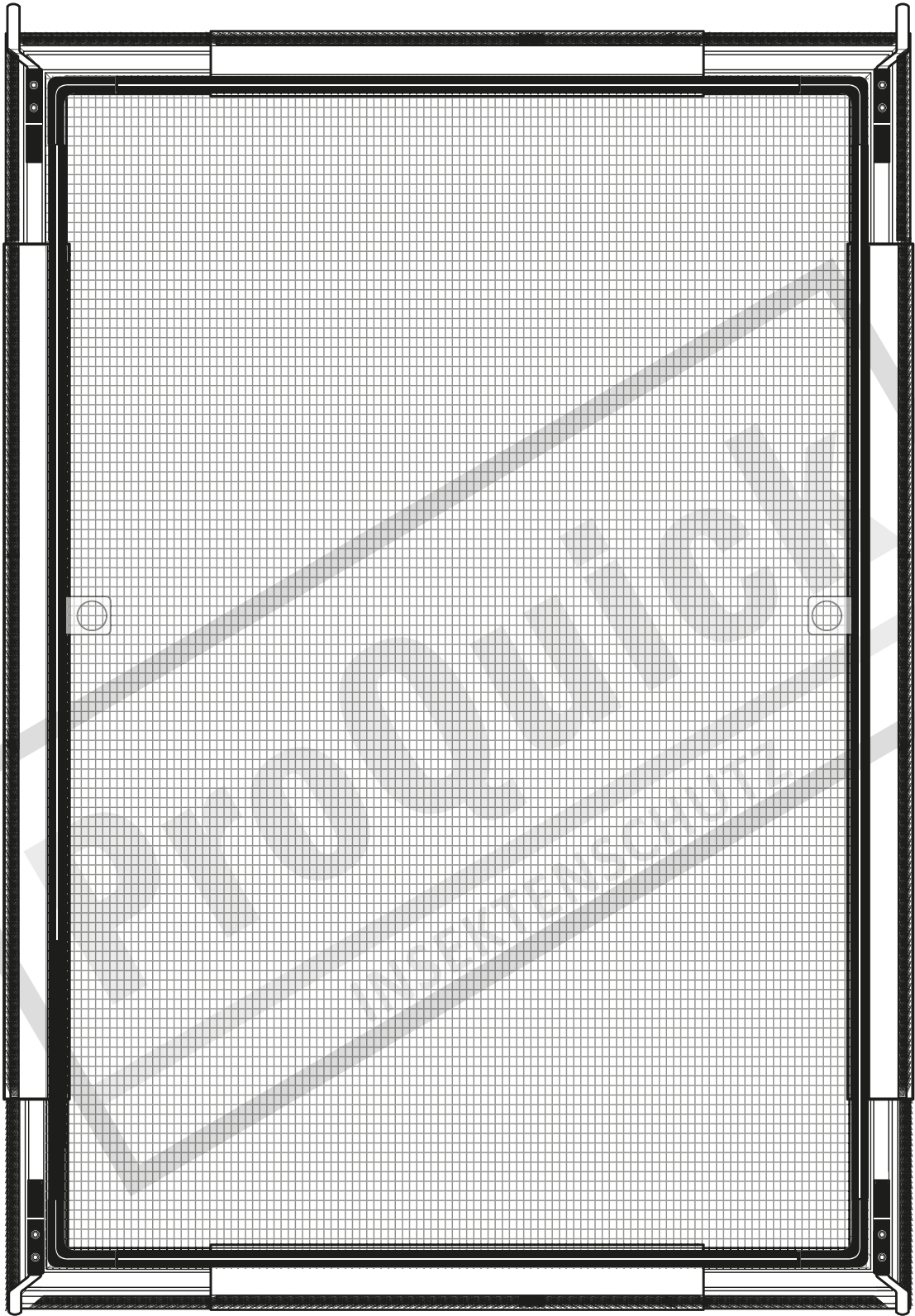
10



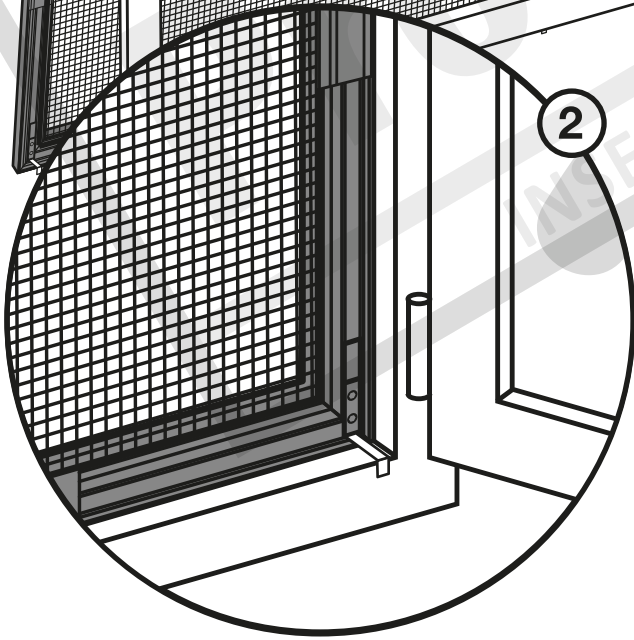
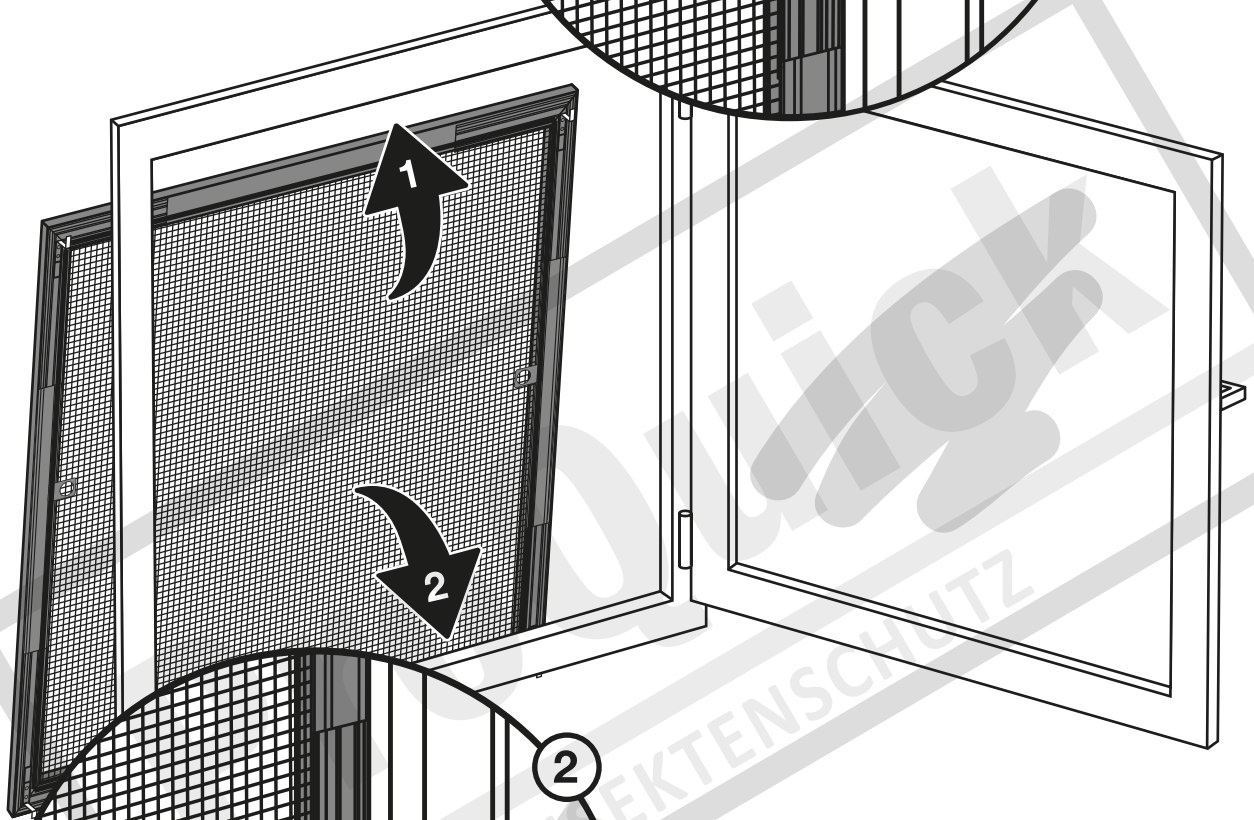
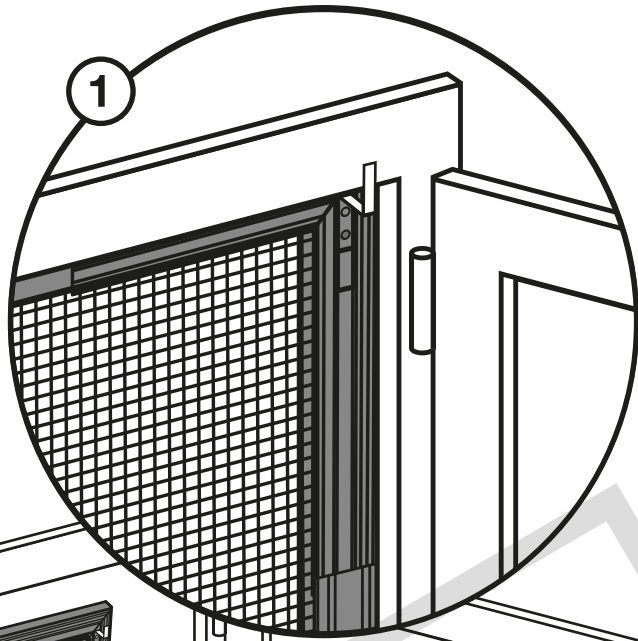
11







13



INSEKTENSCHUTZ

