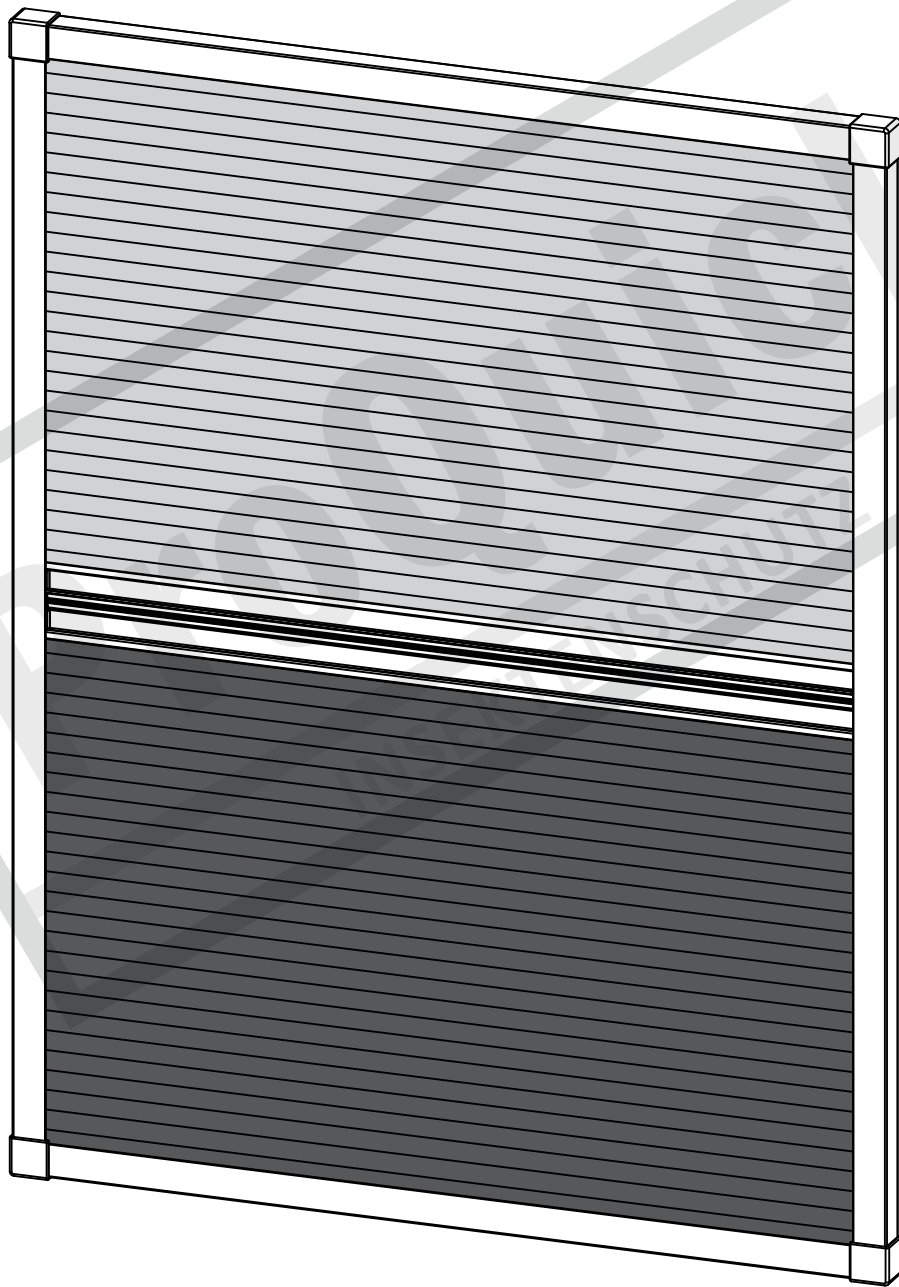
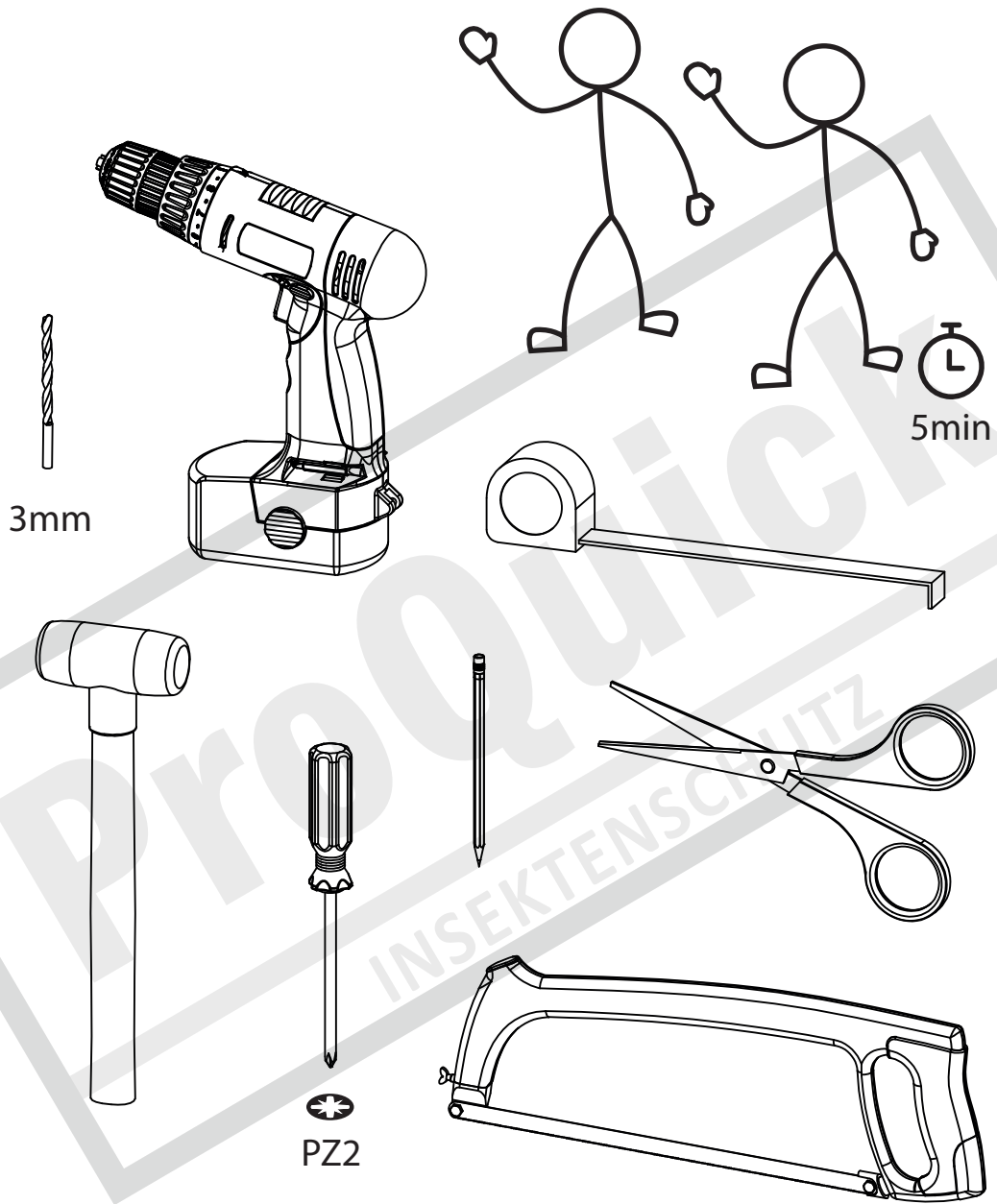
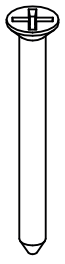


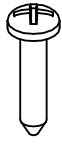
DUO PLISSEE



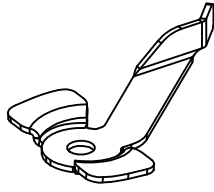




4x



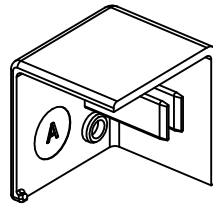
8x



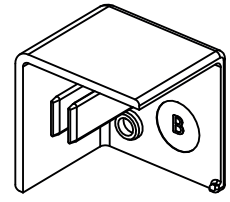
8x



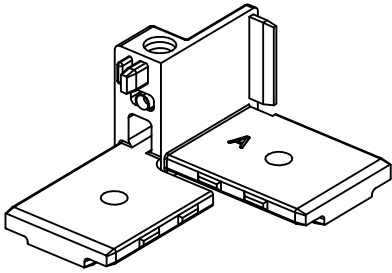
1x



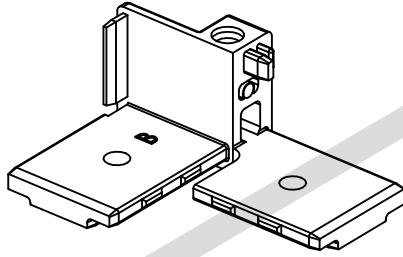
2x



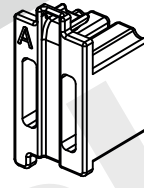
2x



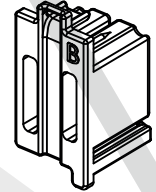
2x (A)



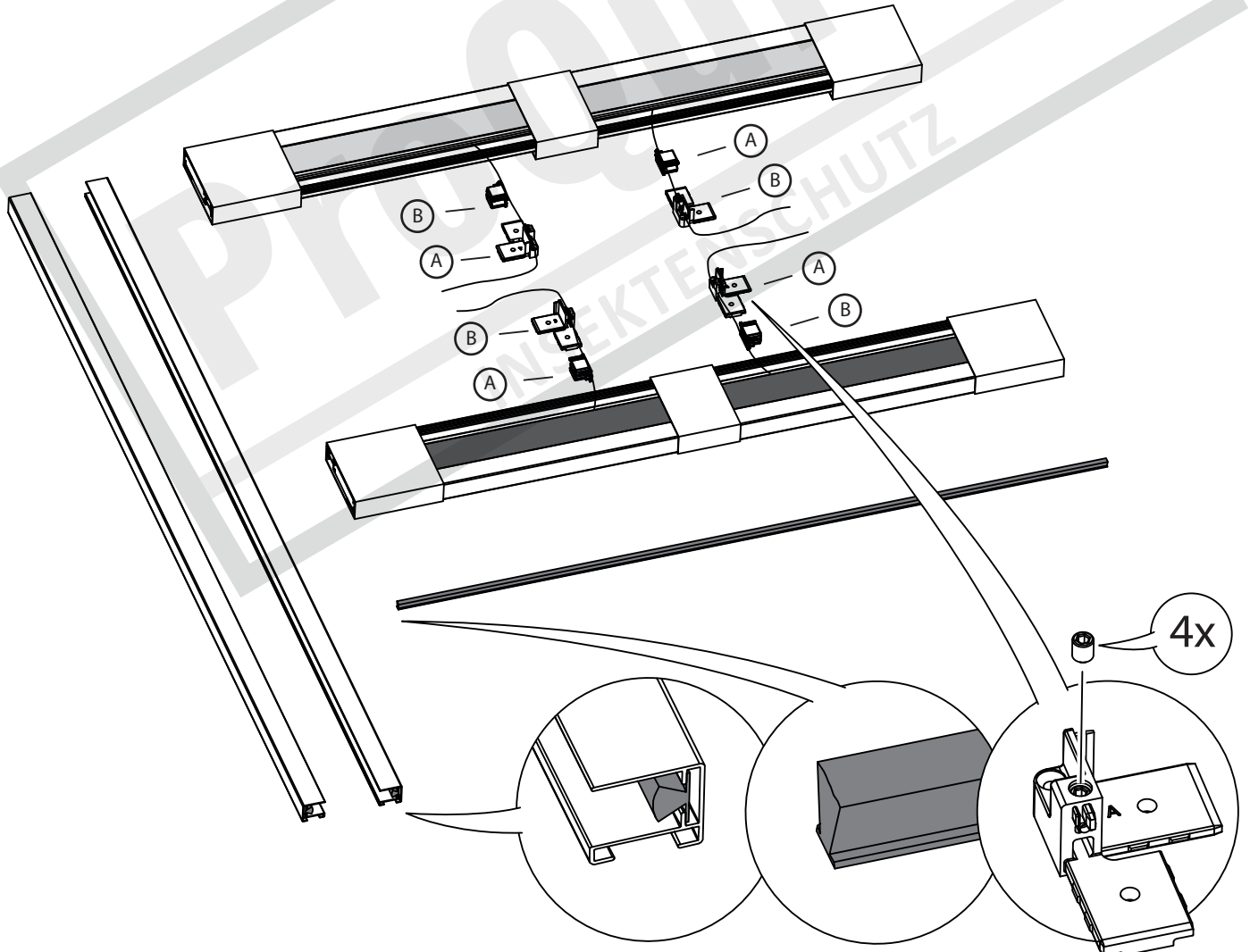
2x (B)



2x (A)

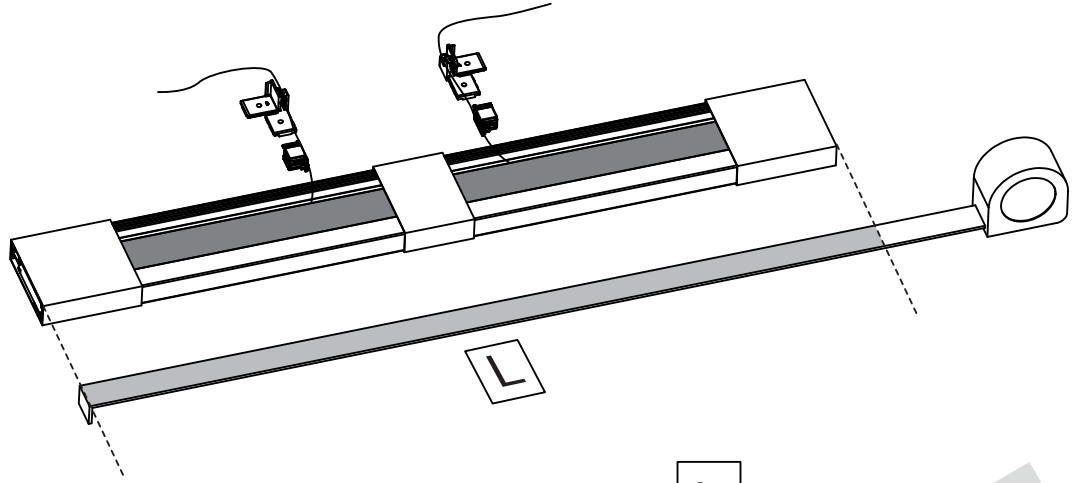


2x (B)



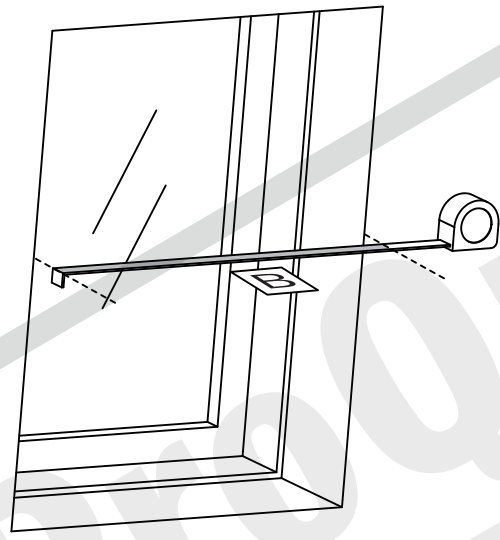
4x

1



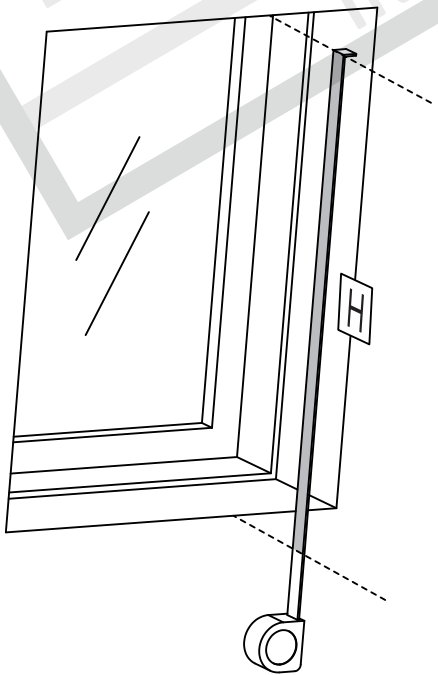
L = _____ , _____ cm

2



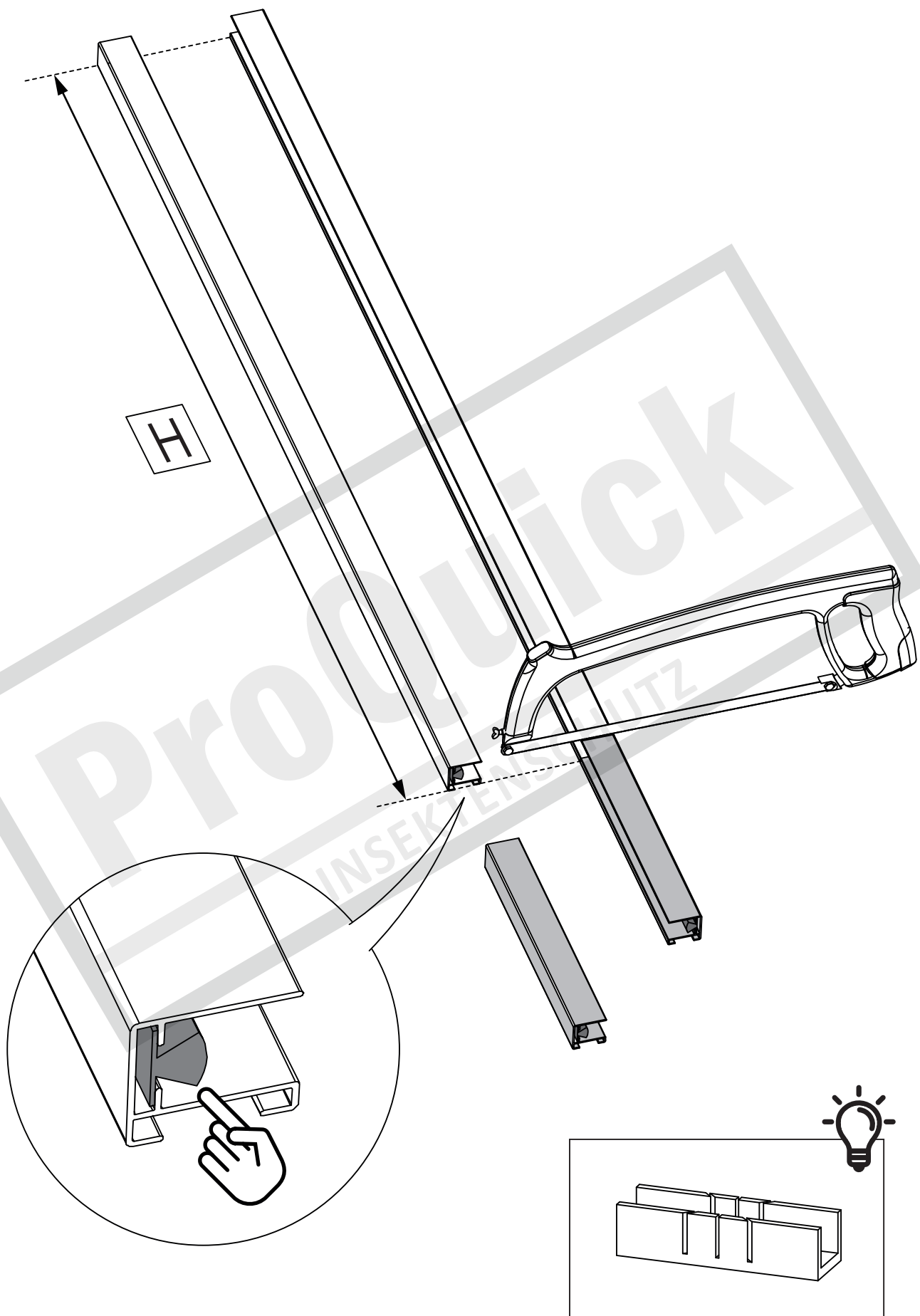
B = _____ , _____ cm

3



H = _____ , _____ cm

4



5

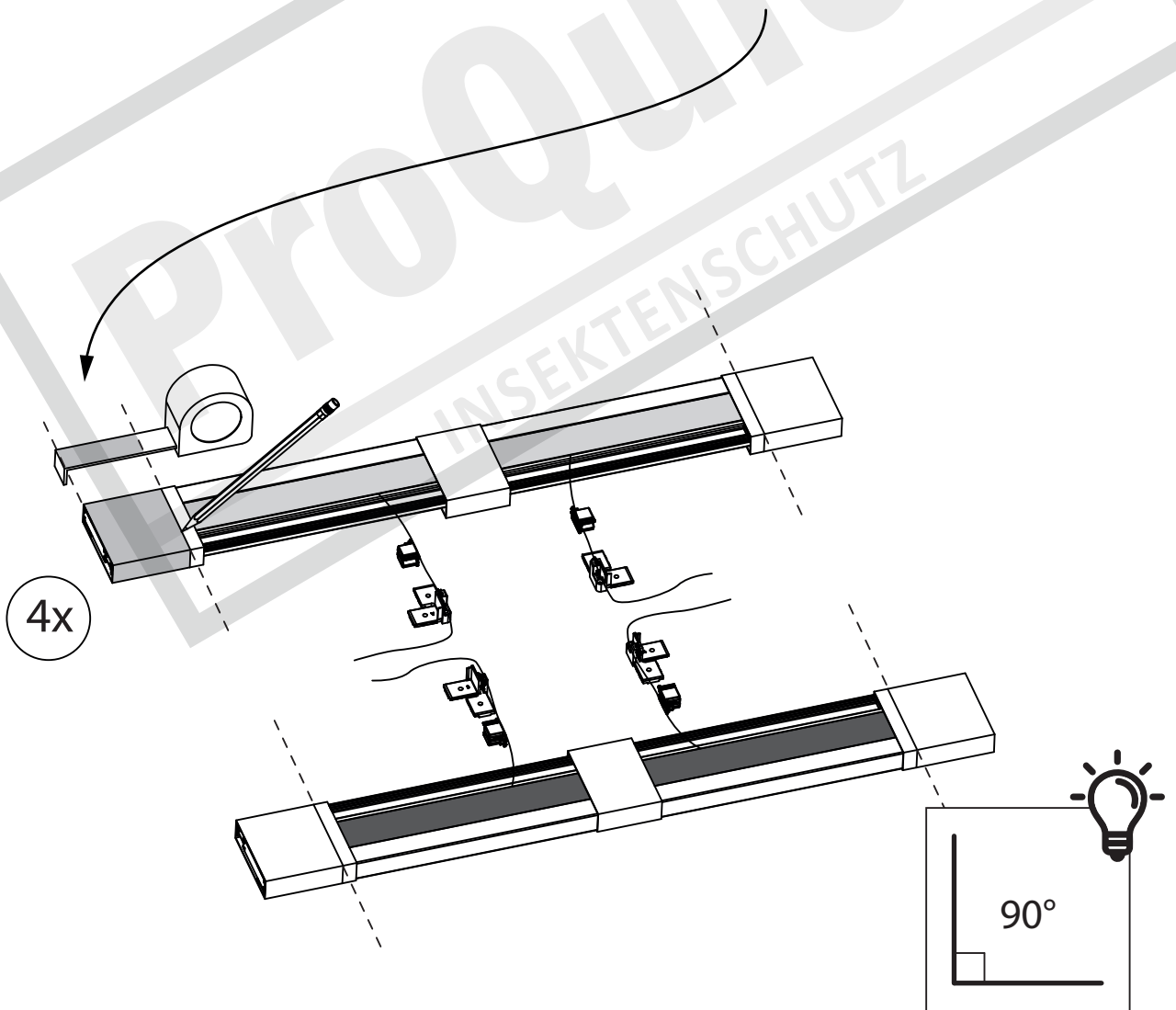
5

a) $L - B = \underline{\quad}, \underline{\quad} \text{ cm} - \underline{\quad}, \underline{\quad} \text{ cm} = \underline{\quad}, \underline{\quad} \text{ cm}$

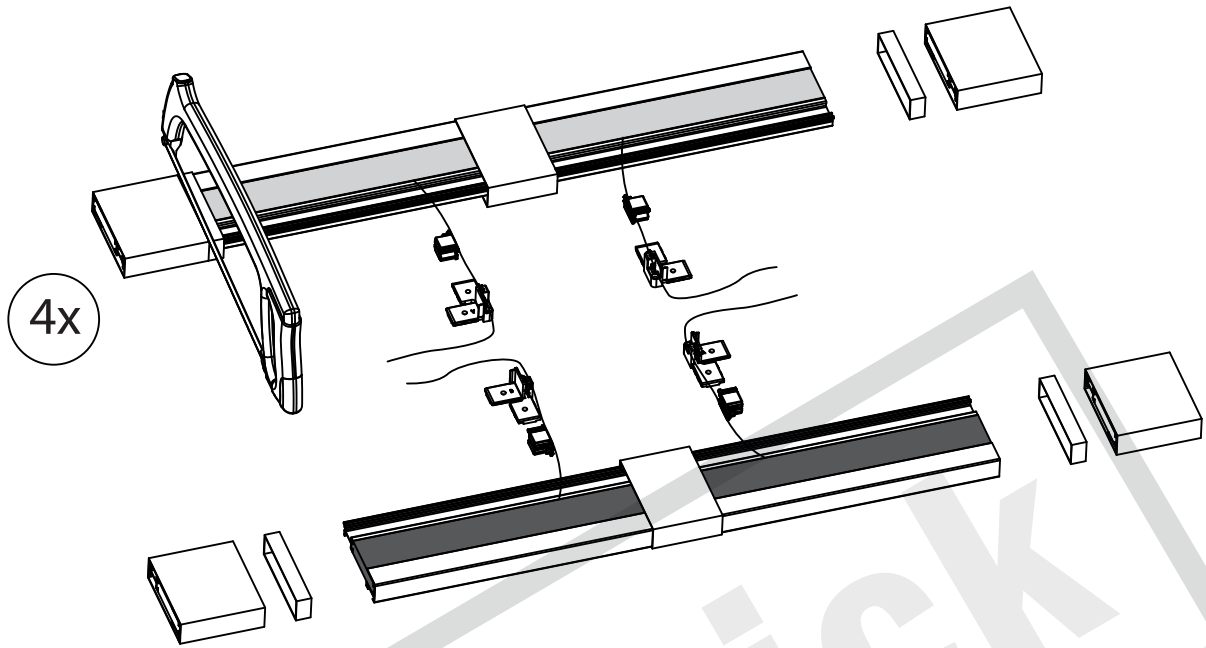
b) $\underline{\quad}, \underline{\quad} \text{ cm} + 3,0 \text{ cm} = \underline{\quad}, \underline{\quad} \text{ cm}$

c) $\frac{\underline{\quad}, \underline{\quad} \text{ cm}}{2} = \boxed{\underline{\quad}, \underline{\quad} \text{ cm}}$

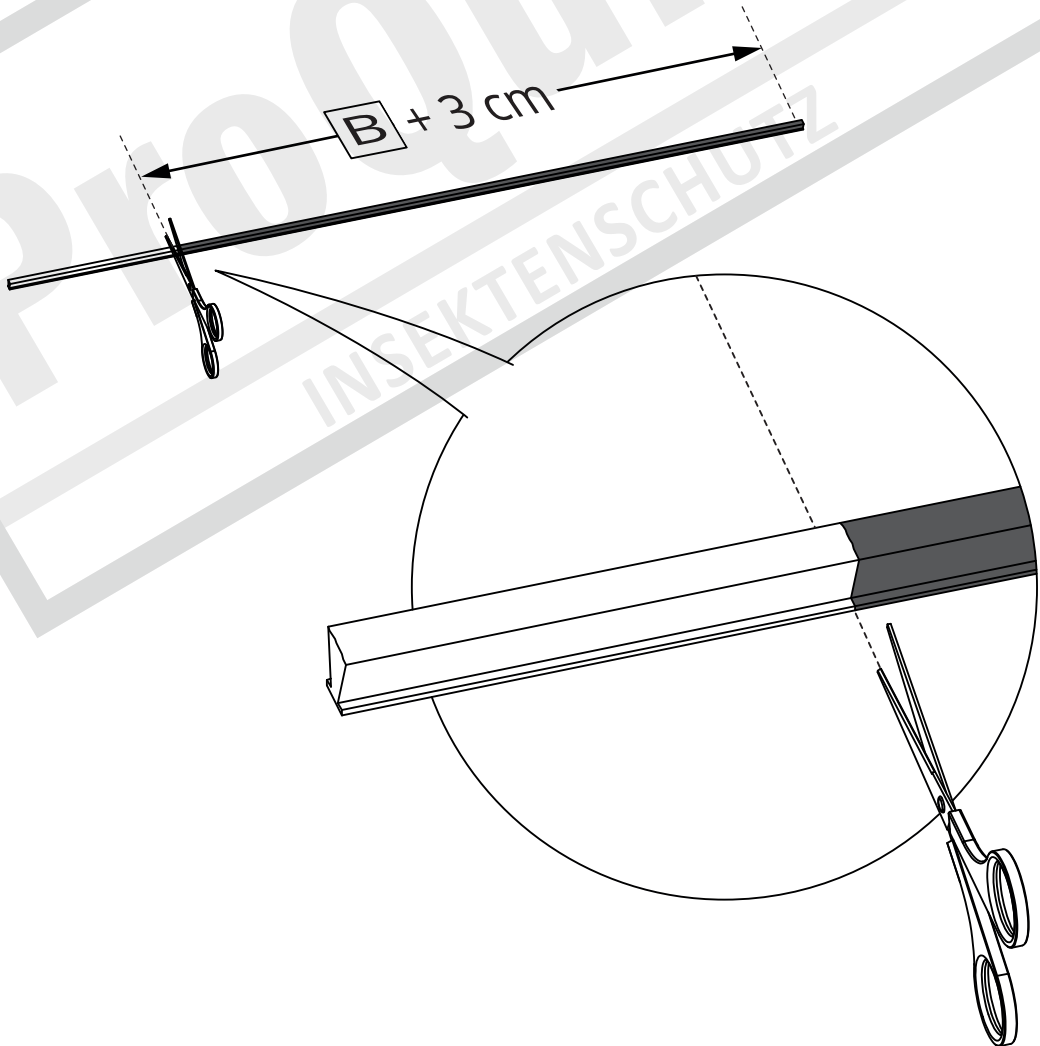
6



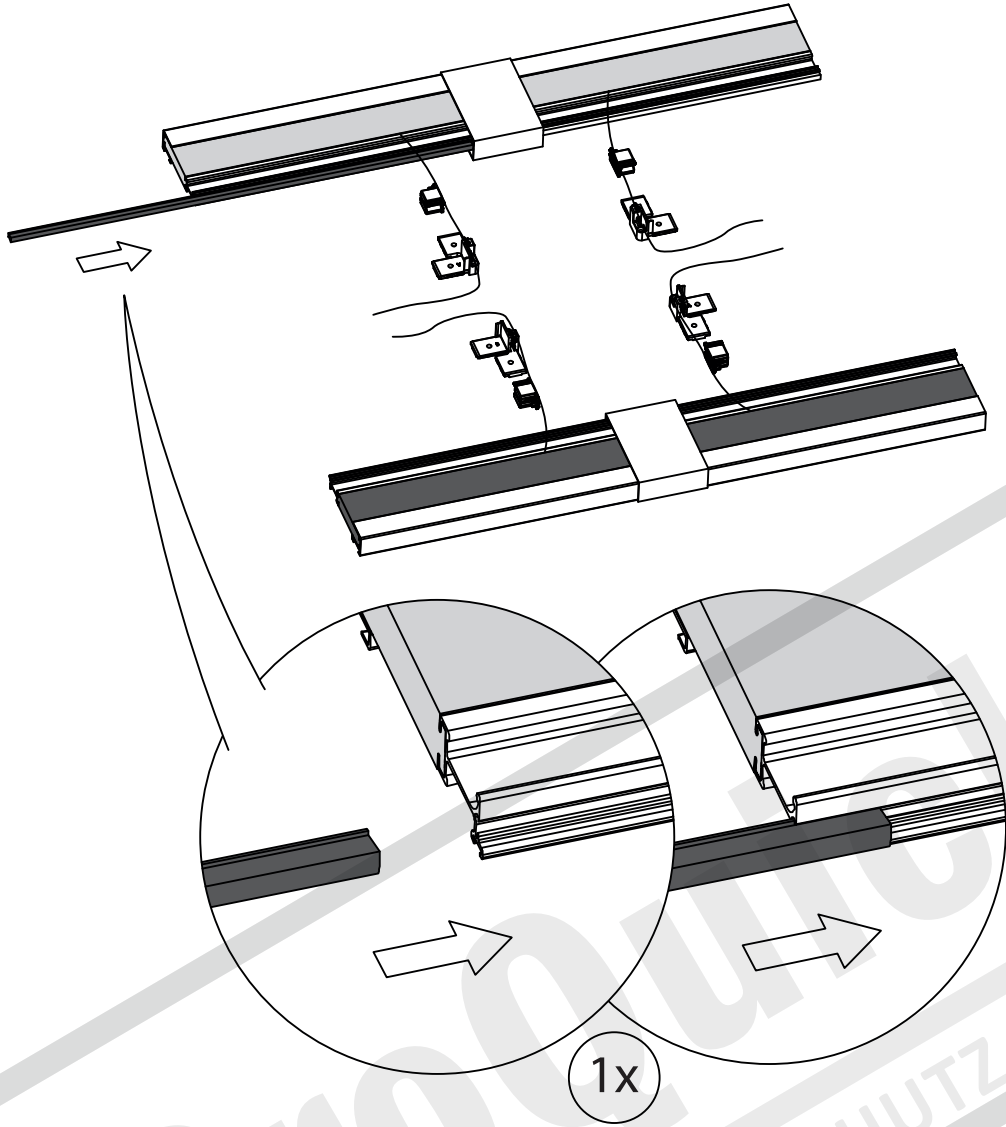
7



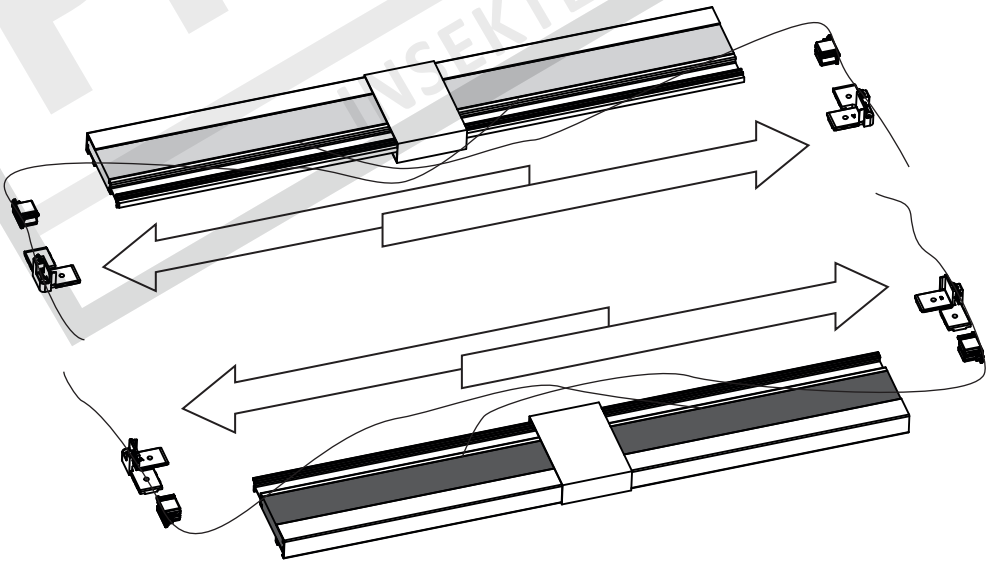
8

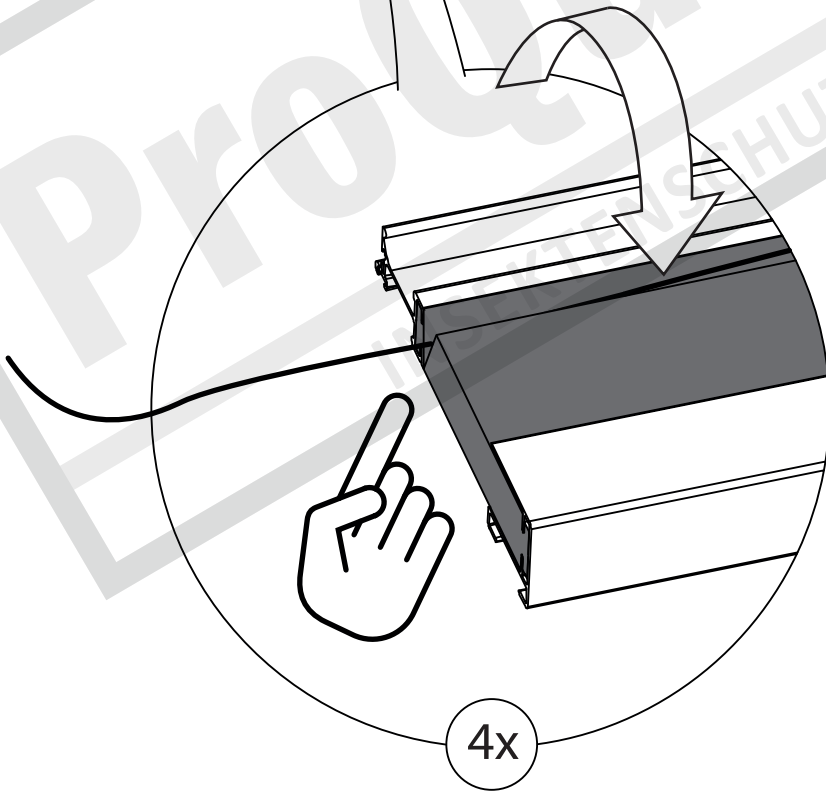
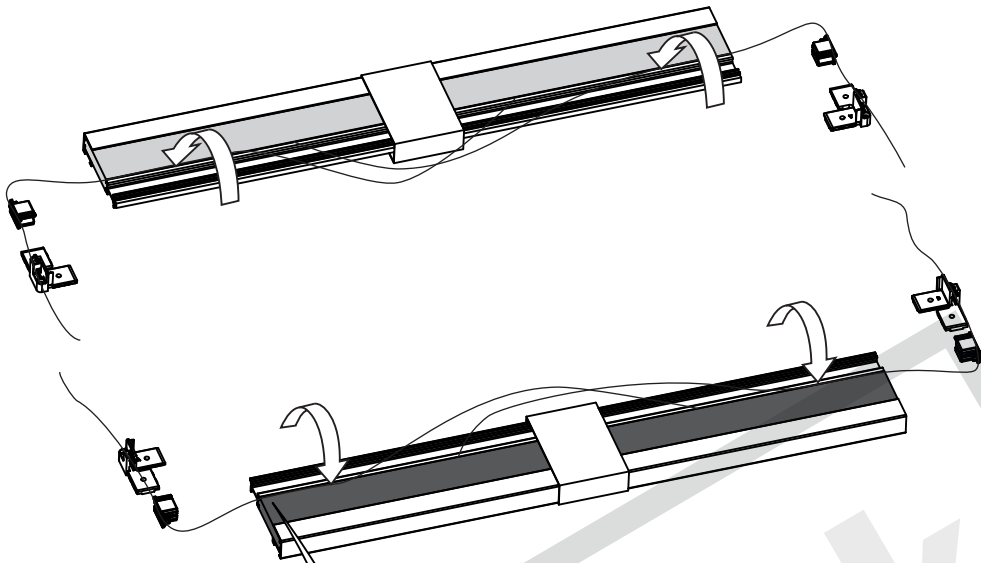


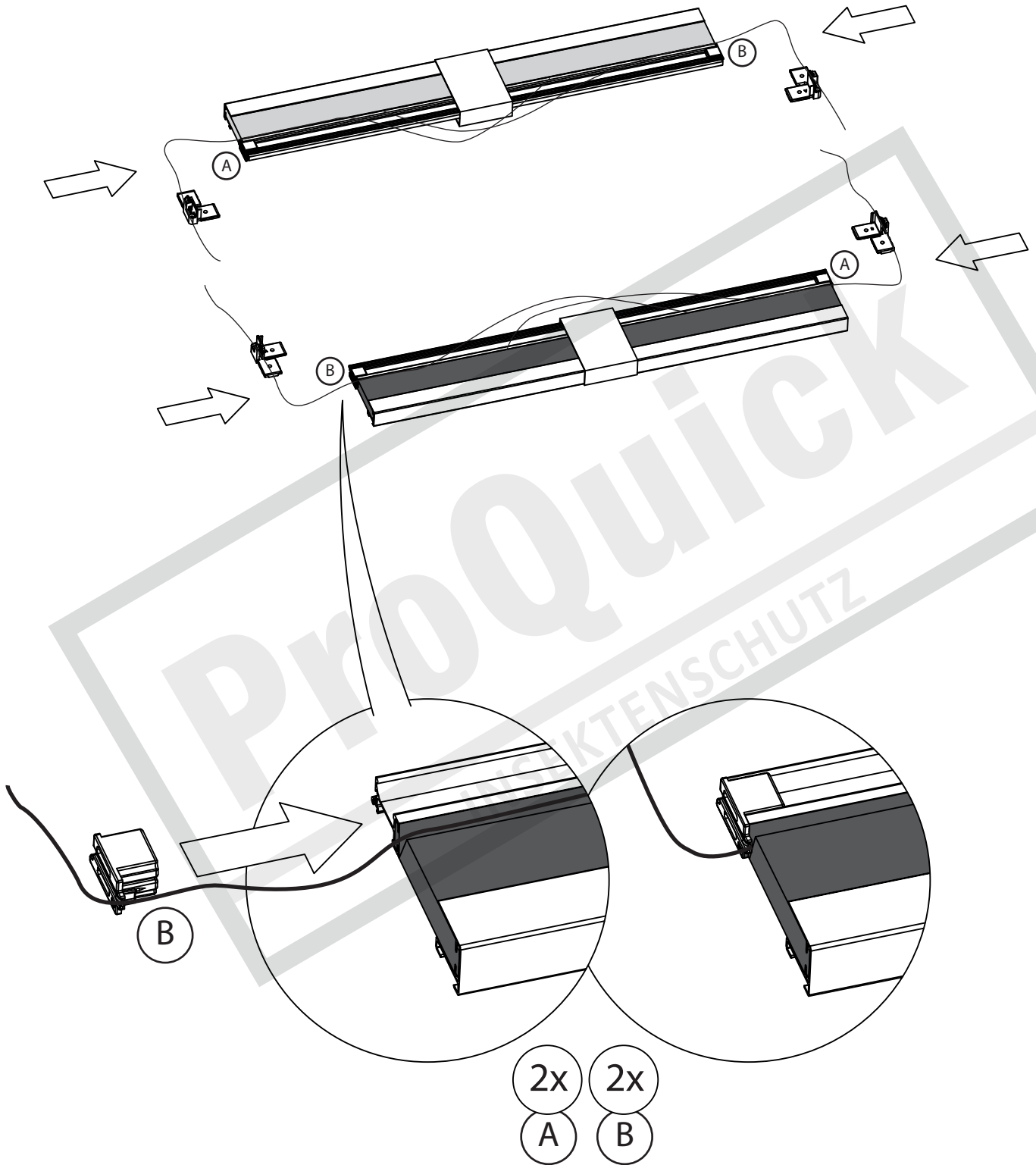
9



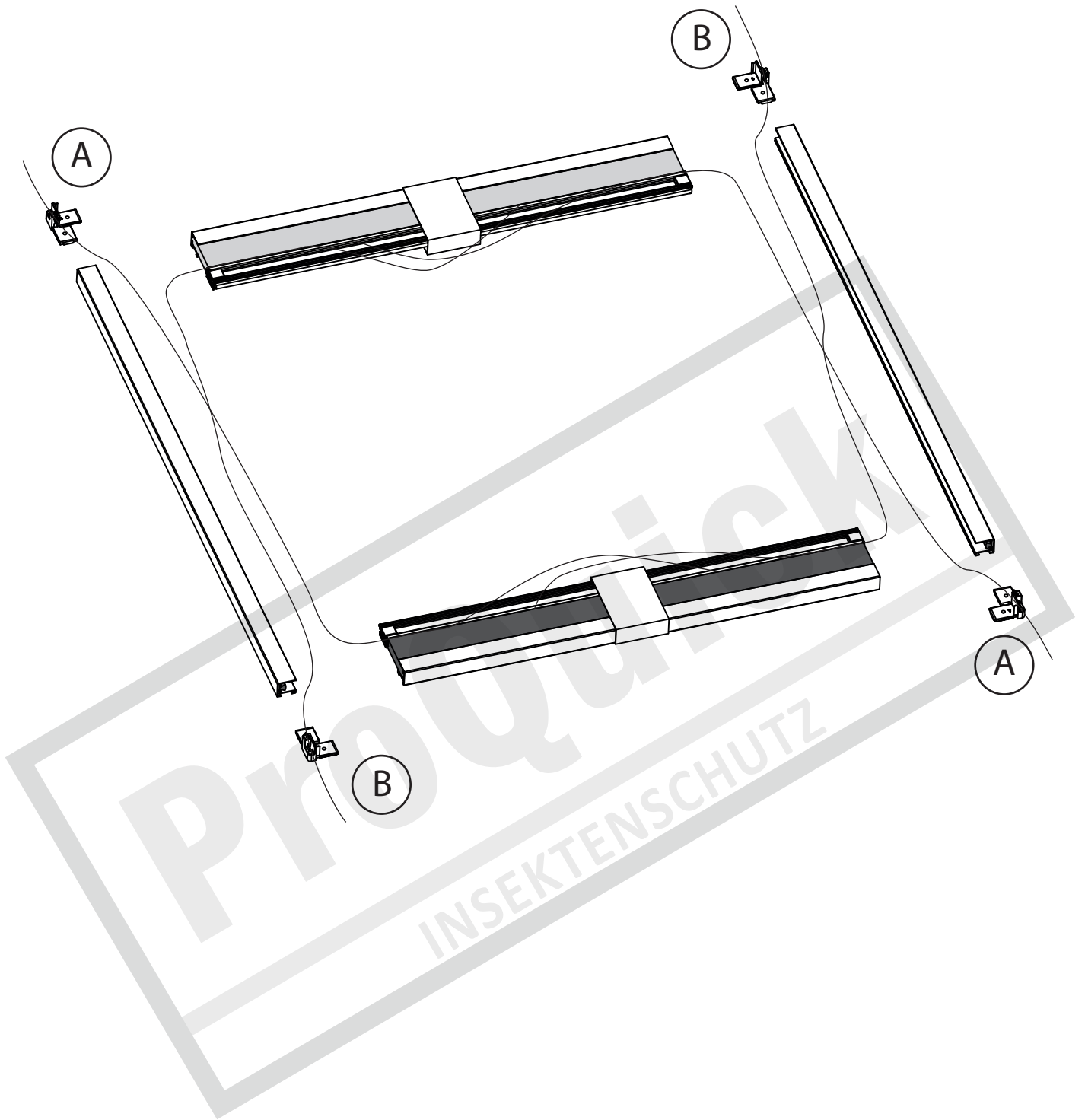
10



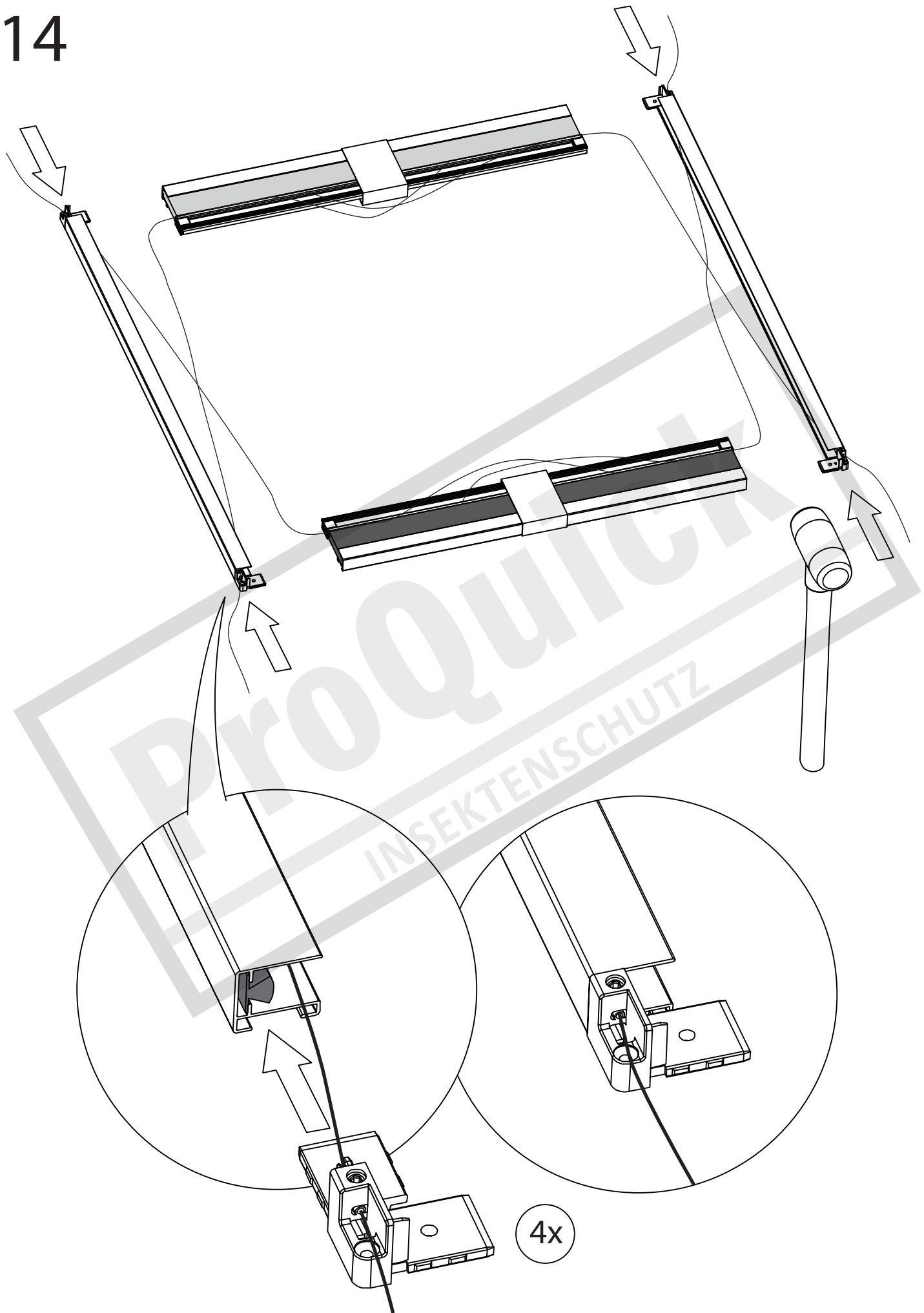




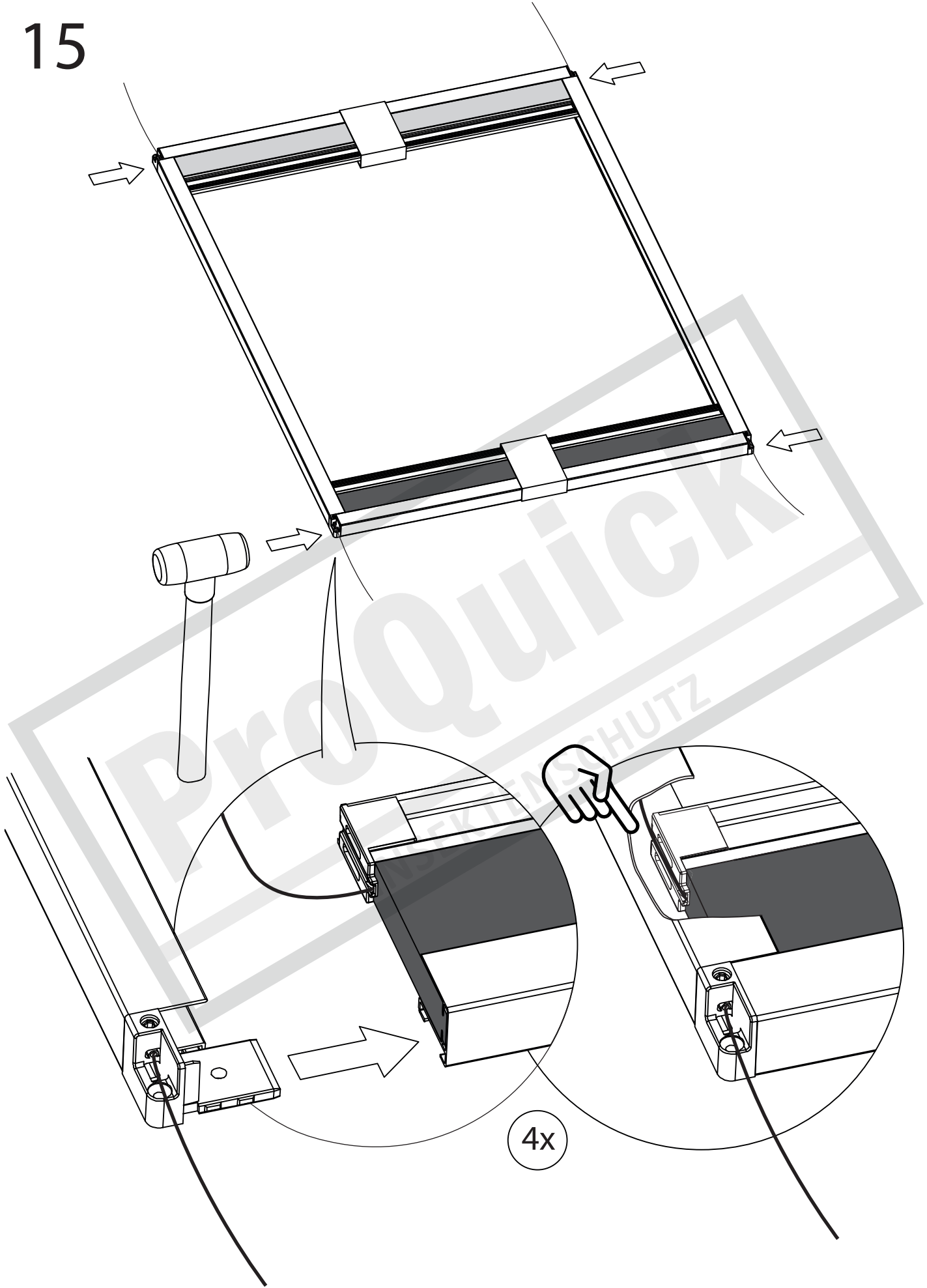
13



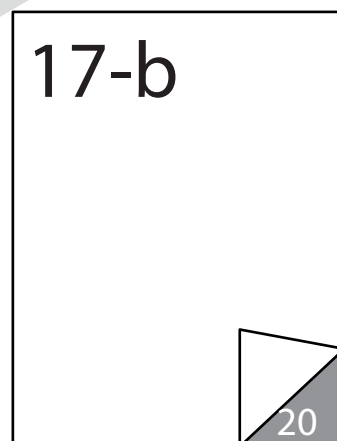
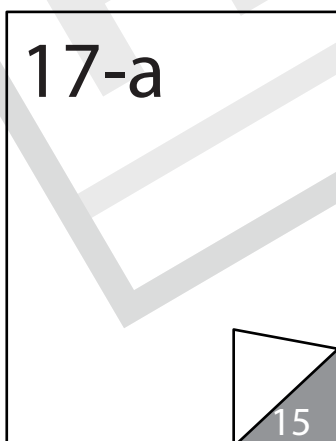
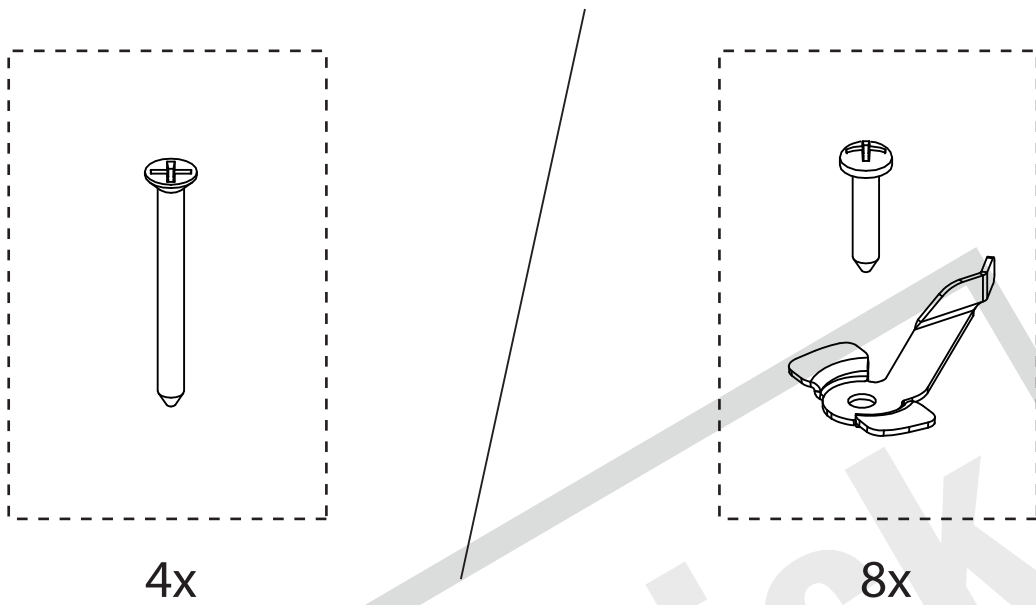
14



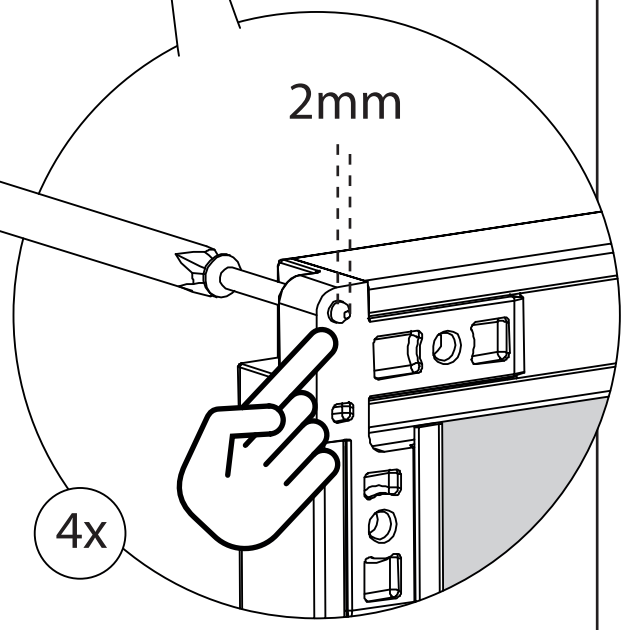
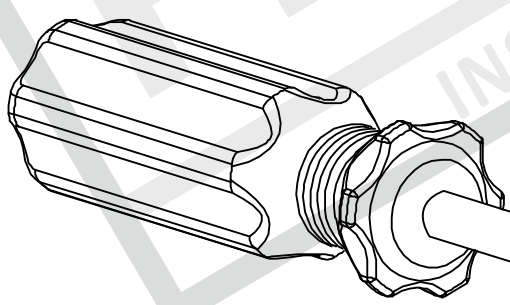
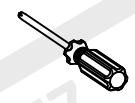
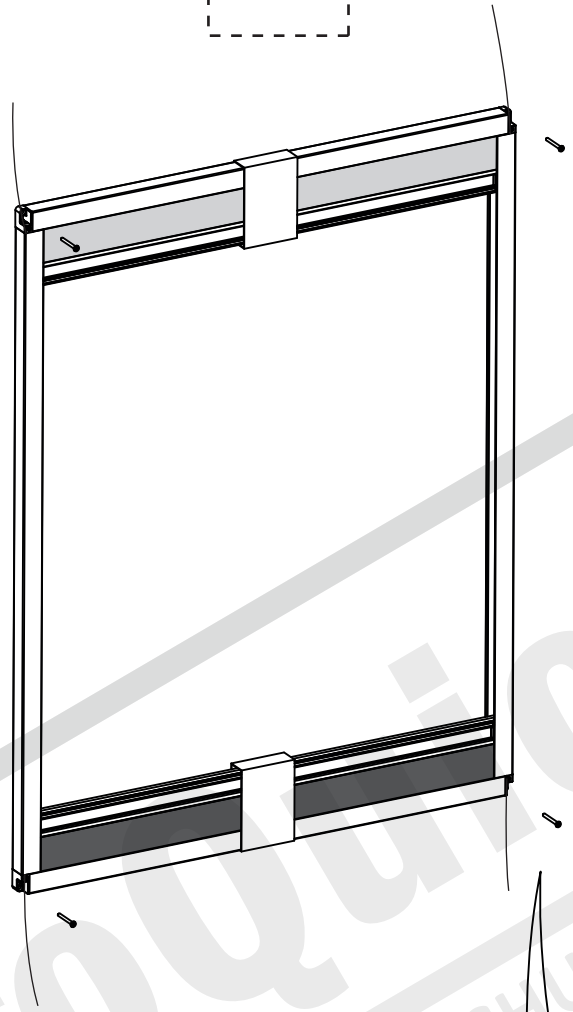
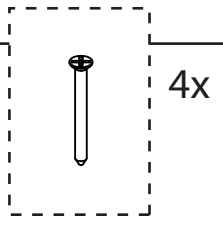
15

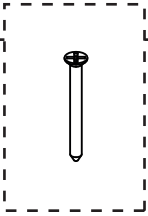


16



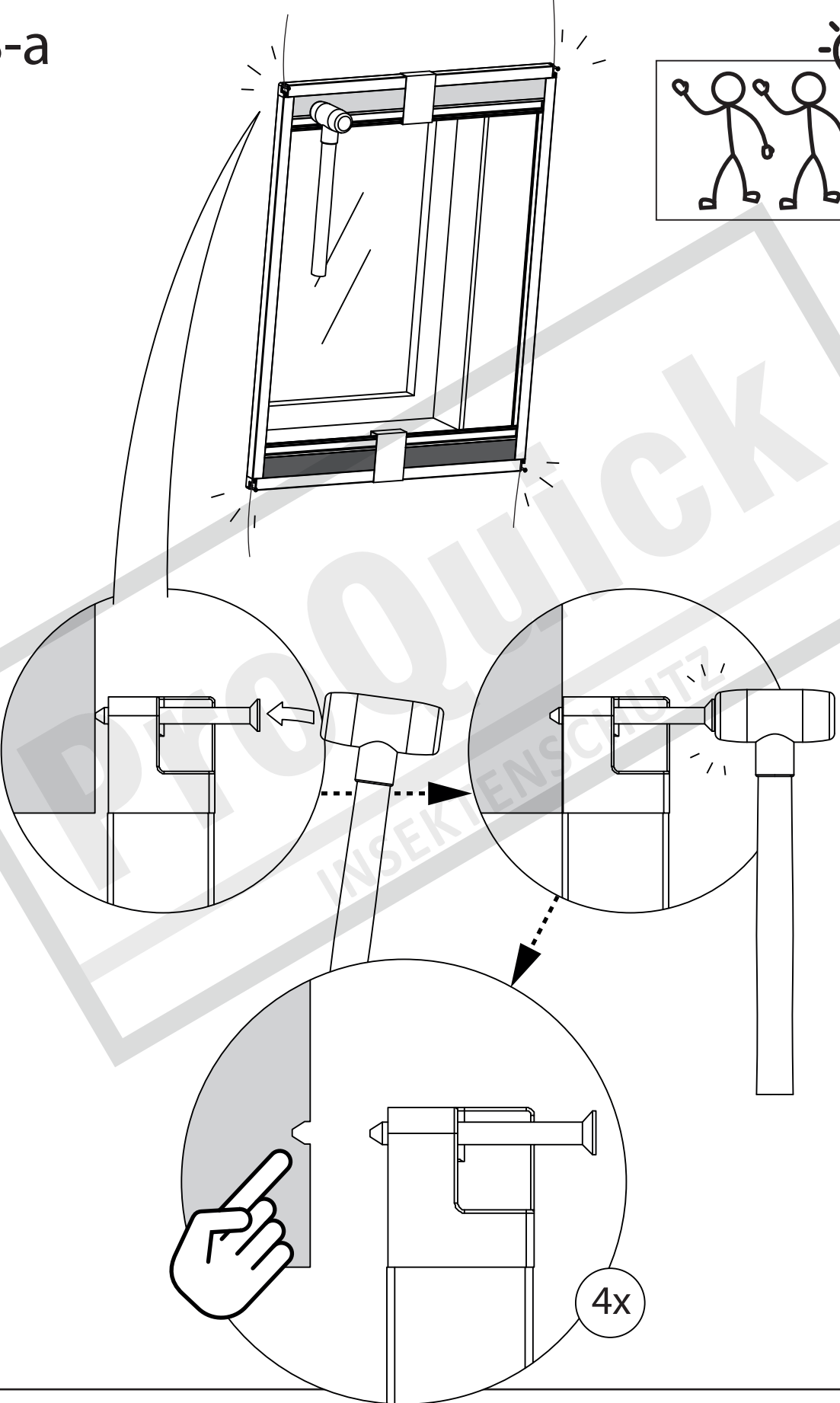
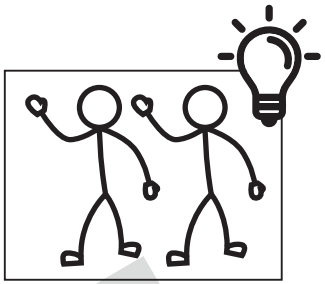
17-a

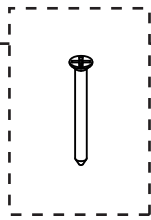




4x

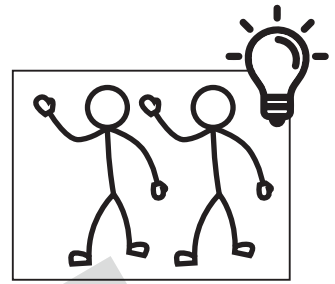
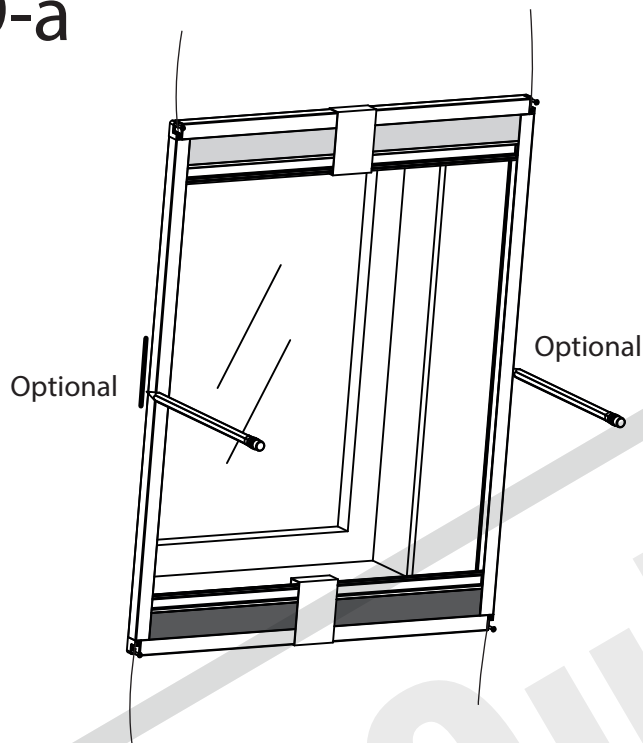
18-a



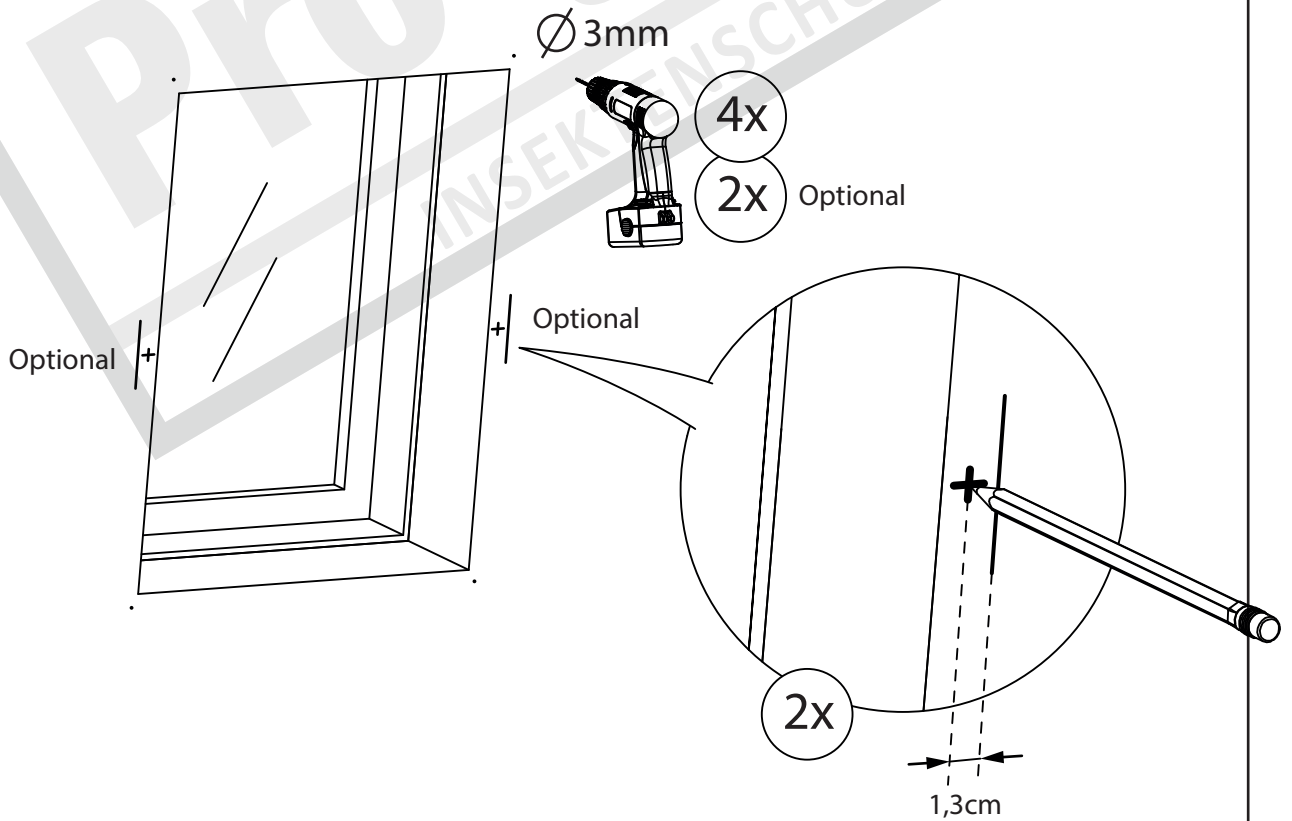


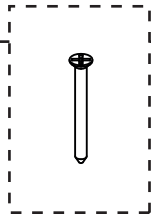
4x

19-a



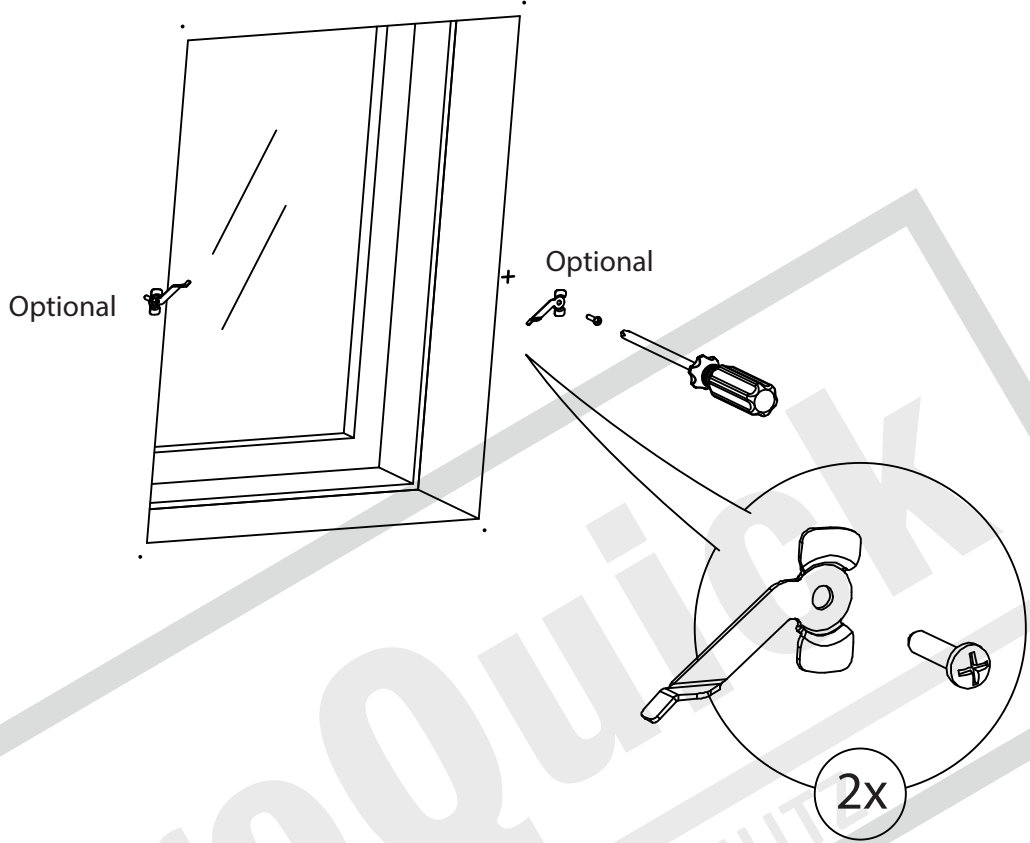
20-a



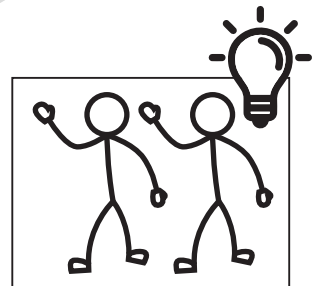
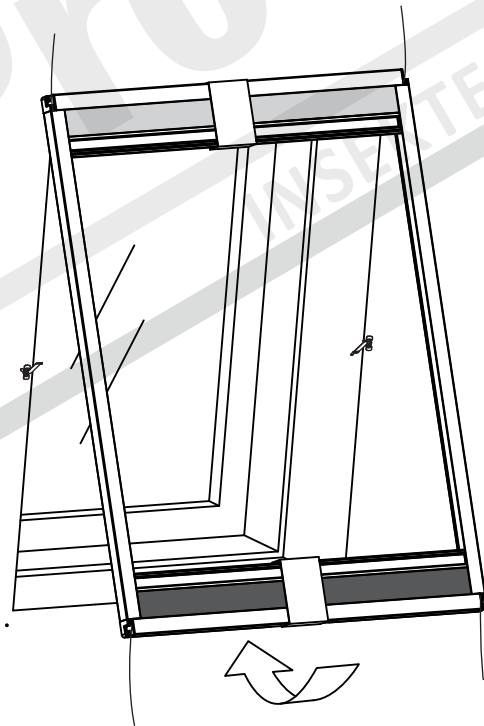


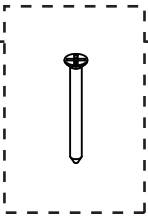
4x

21-a



22-a





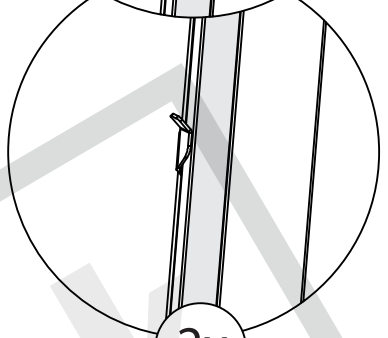
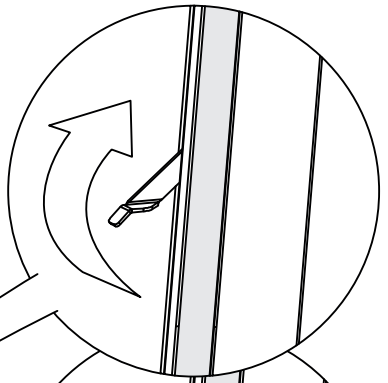
4x

23-a

Optional

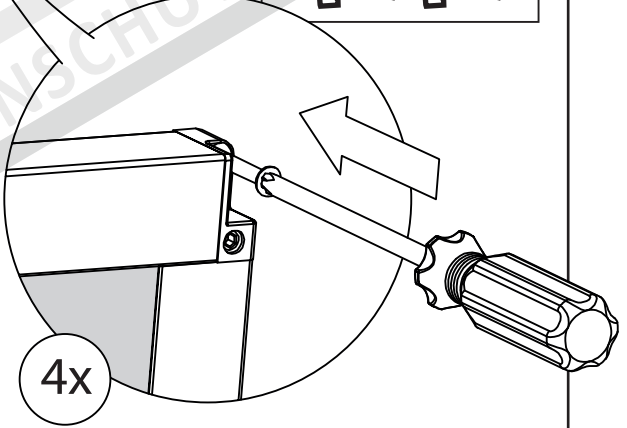
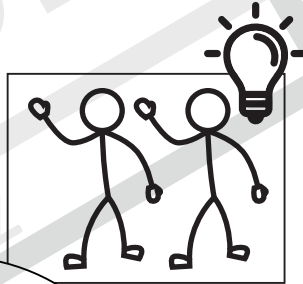
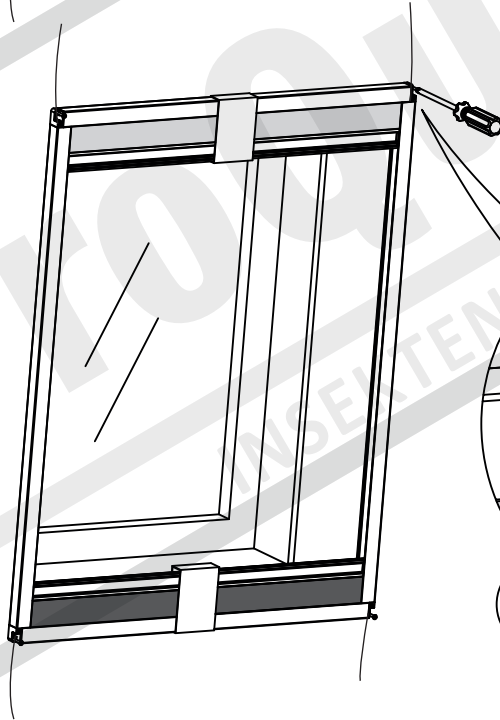


Optional

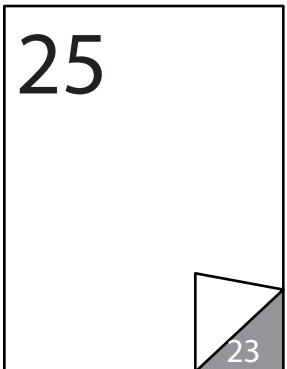


2x

24-a

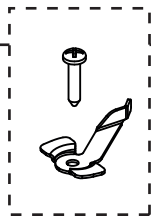


4x



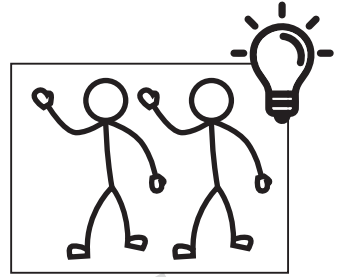
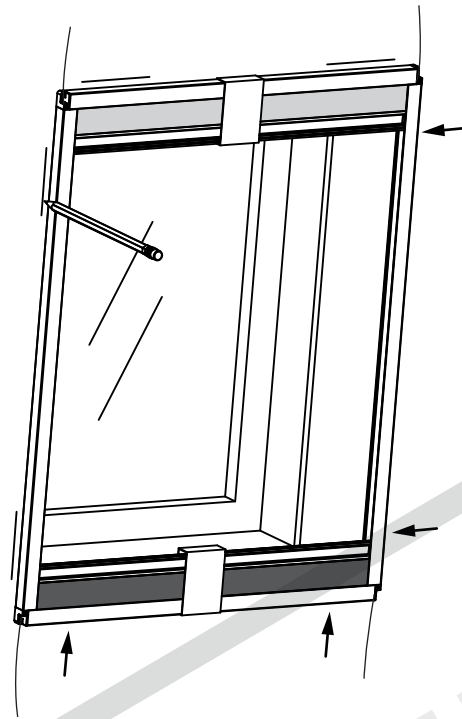
25

23



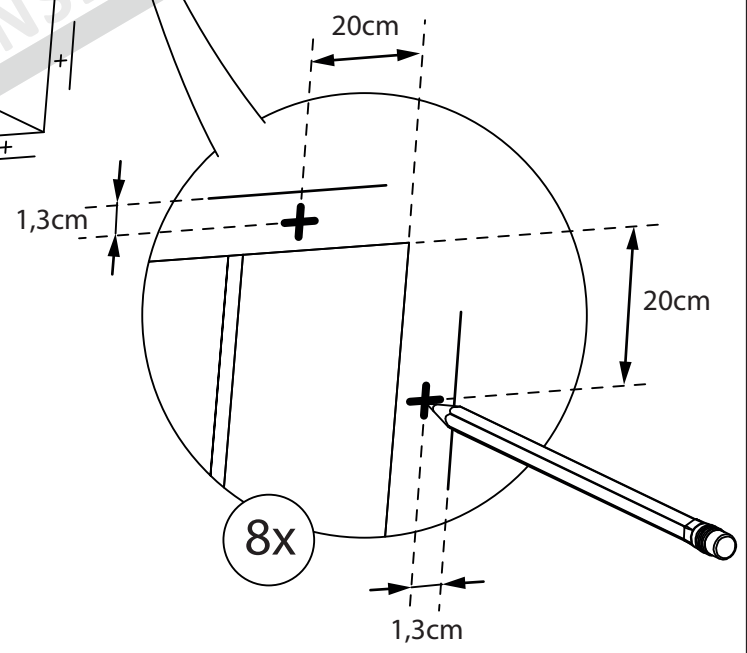
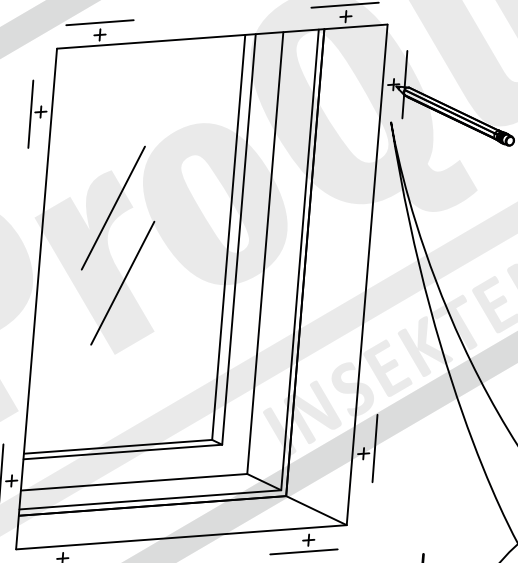
8x

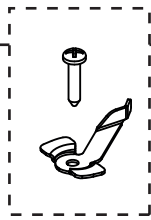
17-b



8x

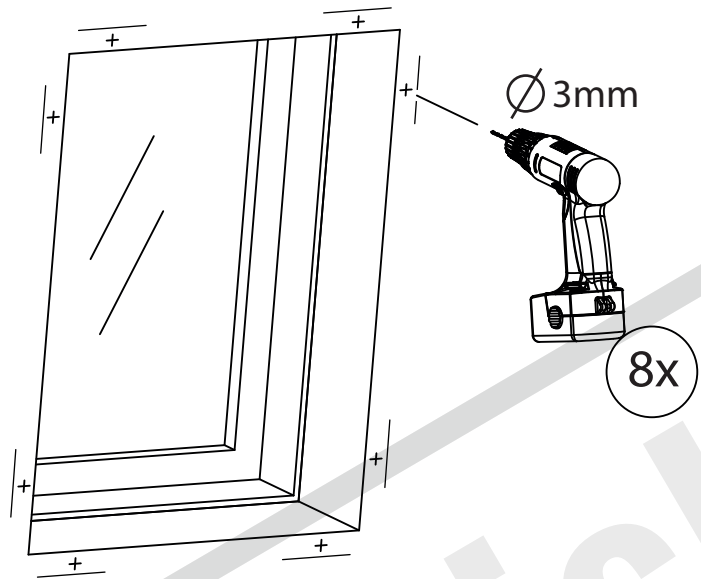
18-b





8x

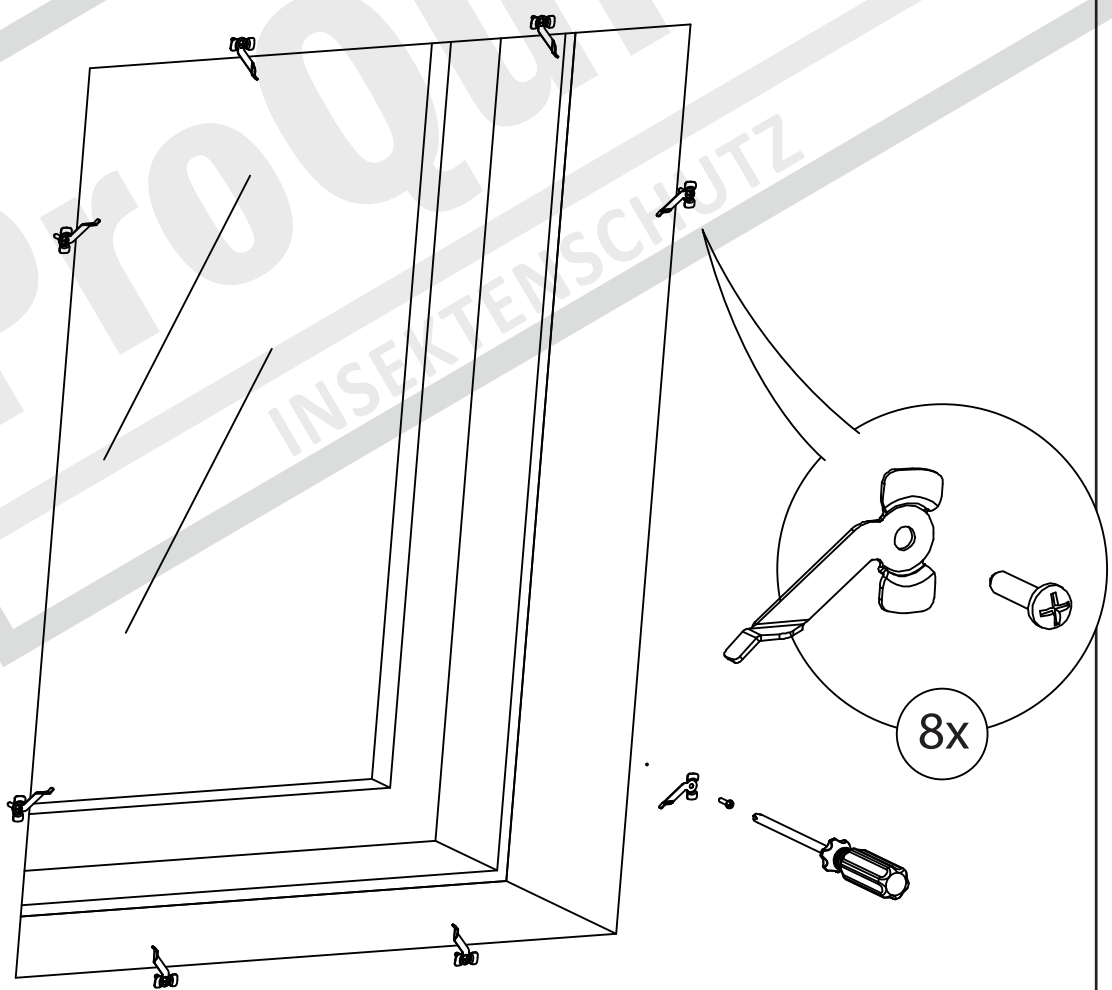
19-b



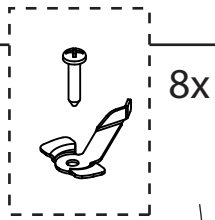
∅ 3mm

8x

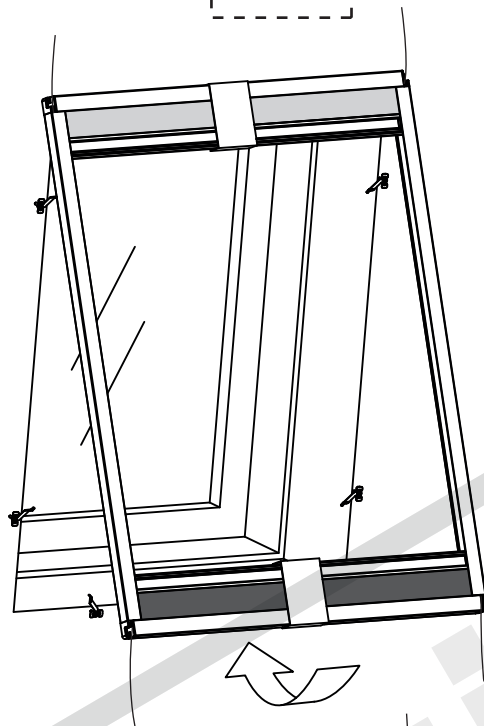
20-b



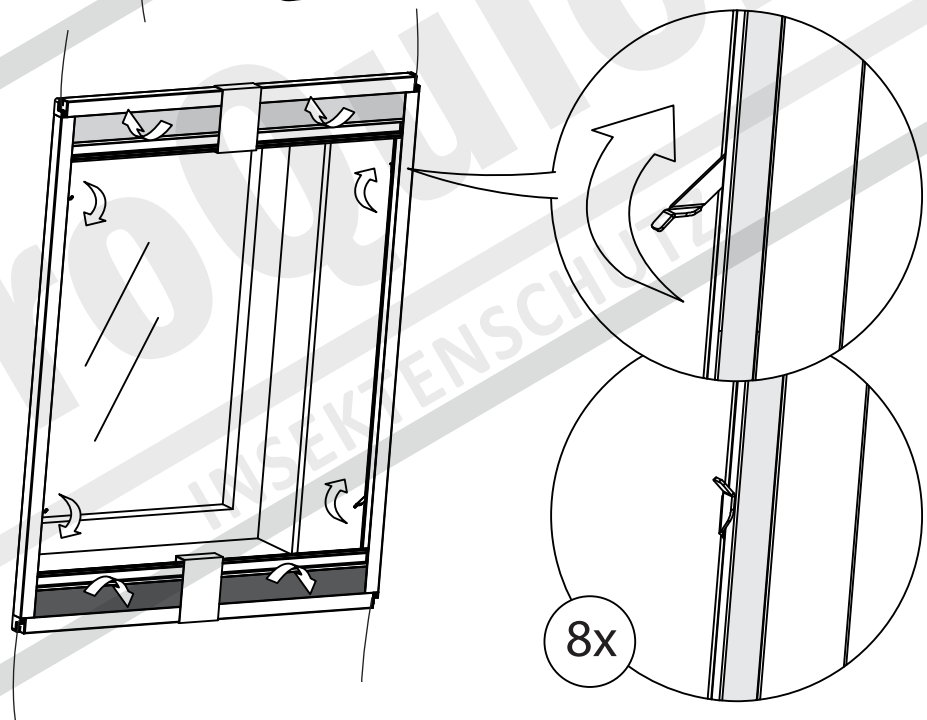
8x



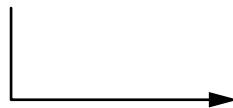
21-b



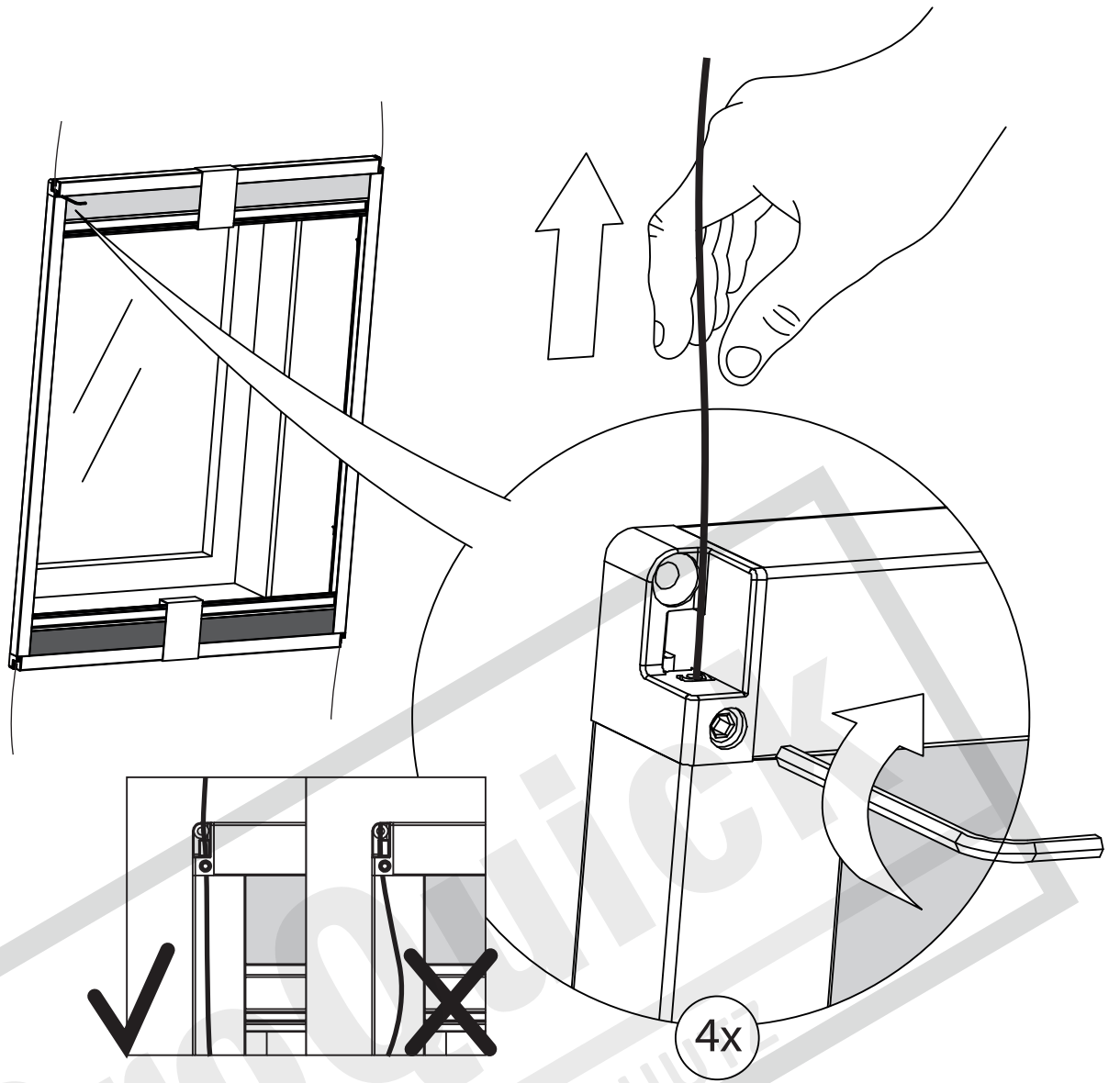
22-b



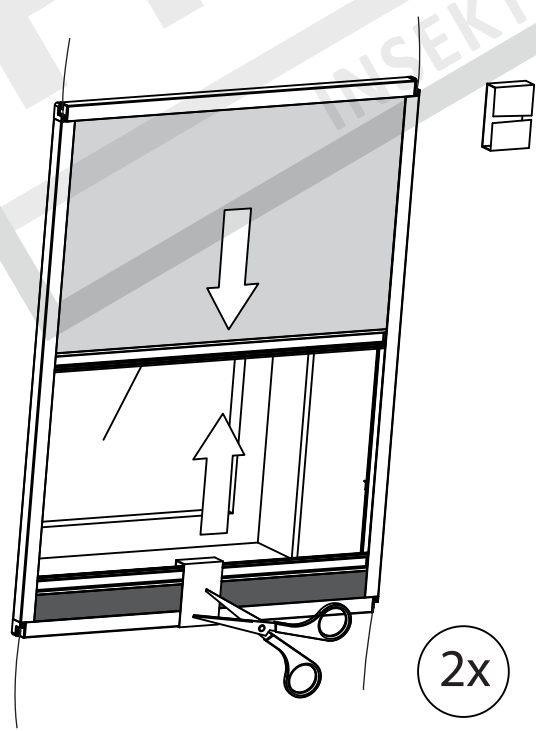
25



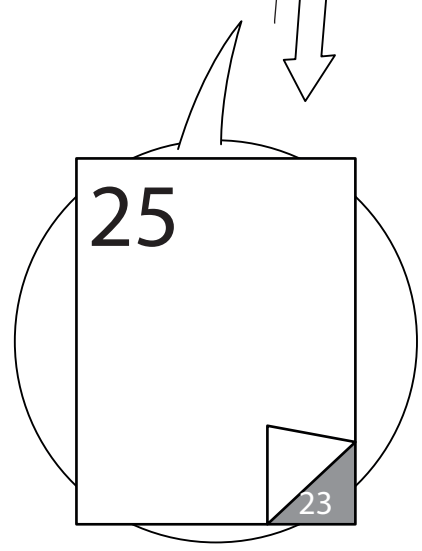
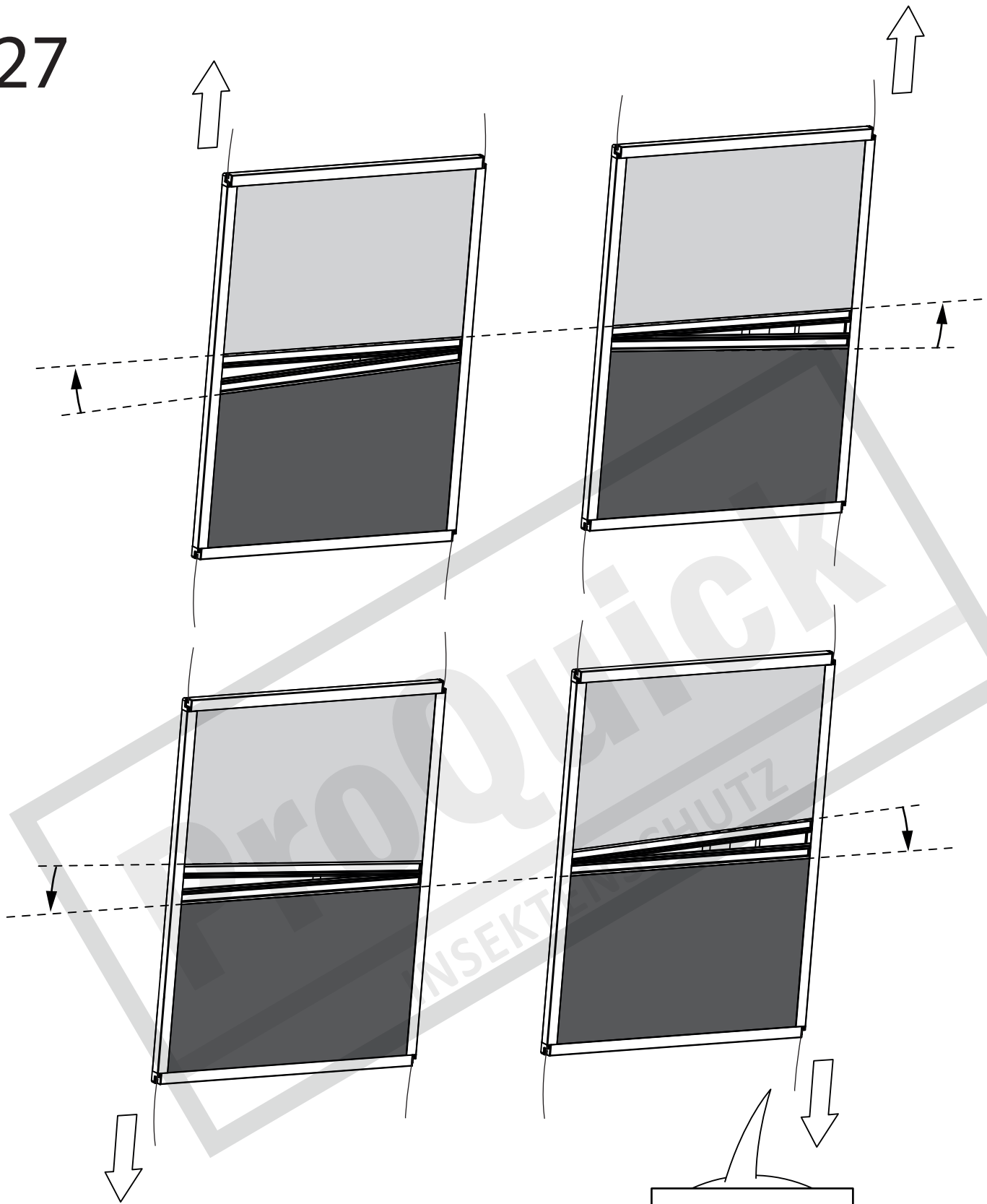
25



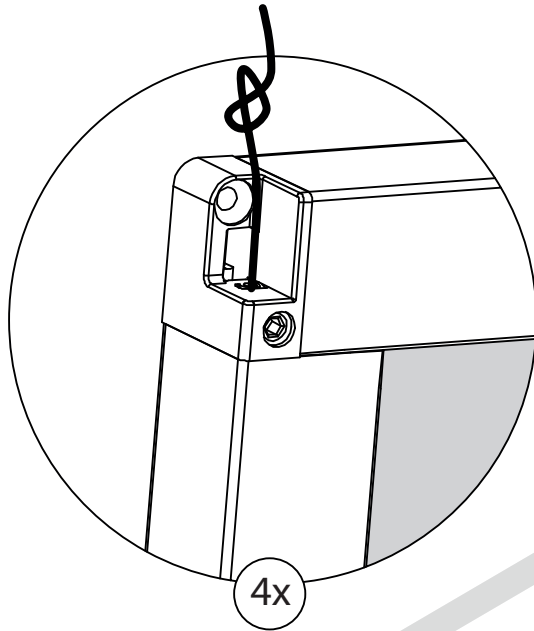
26



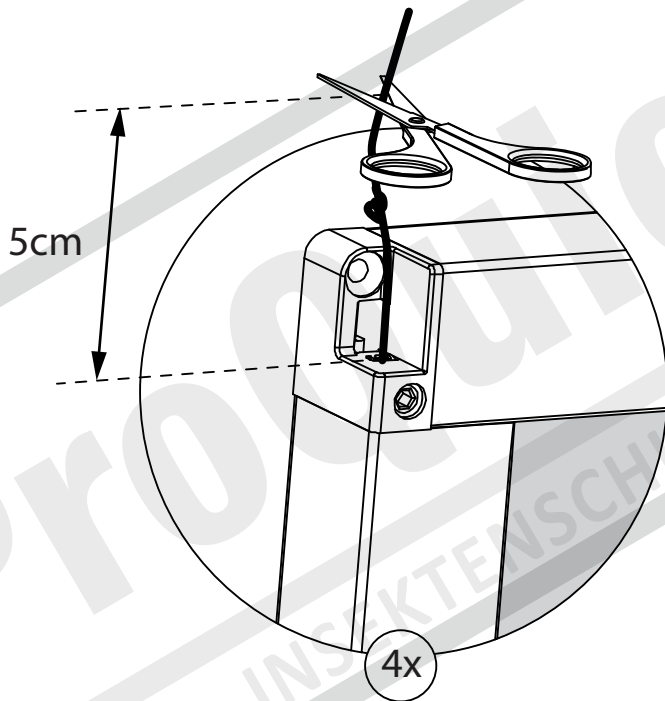
27



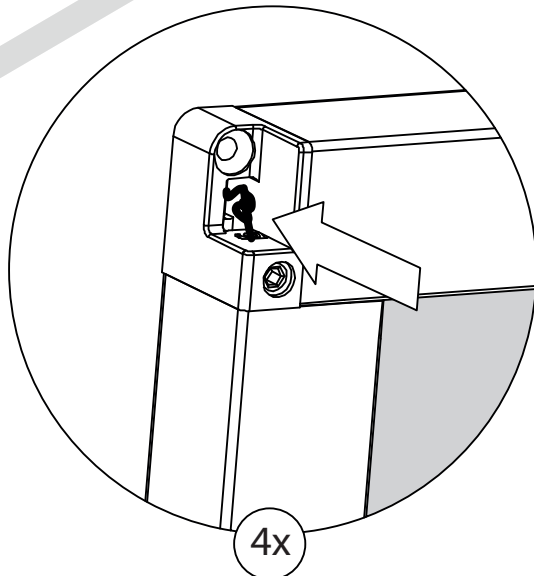
28



29



30



31

