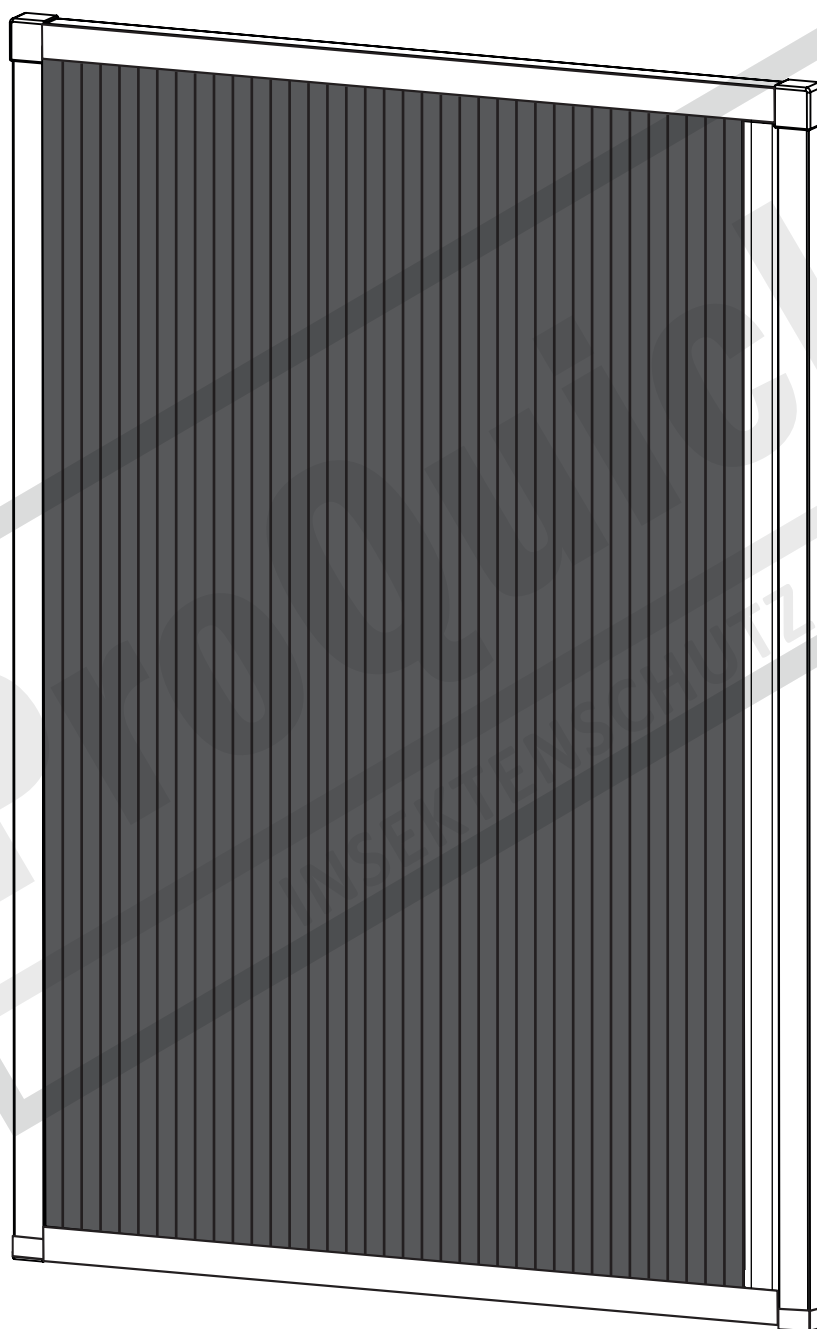
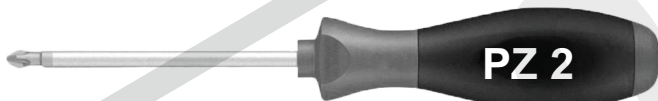
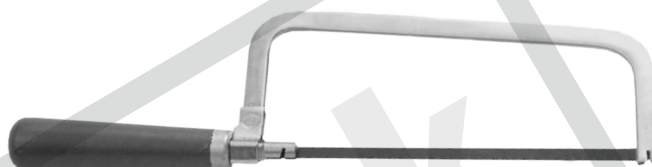


Insektenschutz Plissee "Pleated-Door Insect Protection"







M
4x

B1
2x

B2
2x

B3
1x

B4
1x

C1
2x

C2
2x

D1
1x

D2
1x

2x
H

E
10x

I
1x

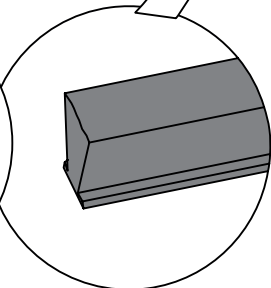
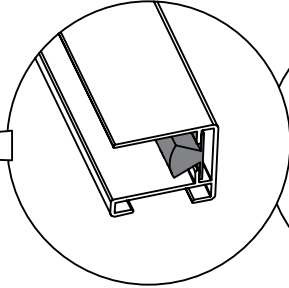
D1
C1

D2
C2

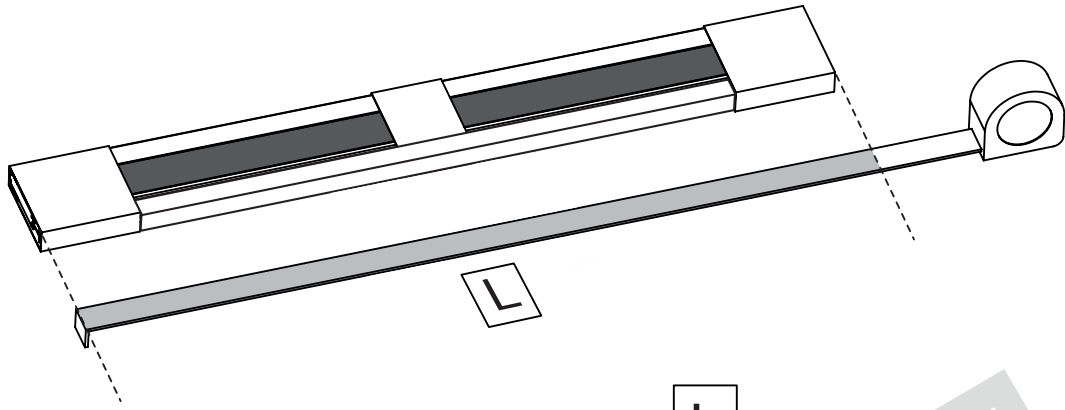
K

J
1x

N
1x

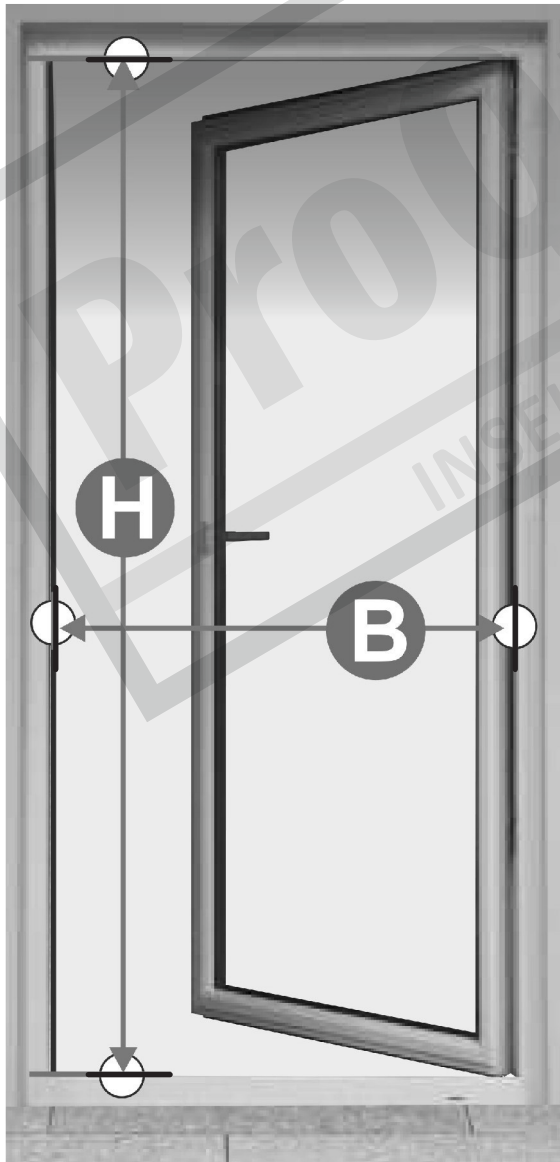


1



L = _____ , _____ cm

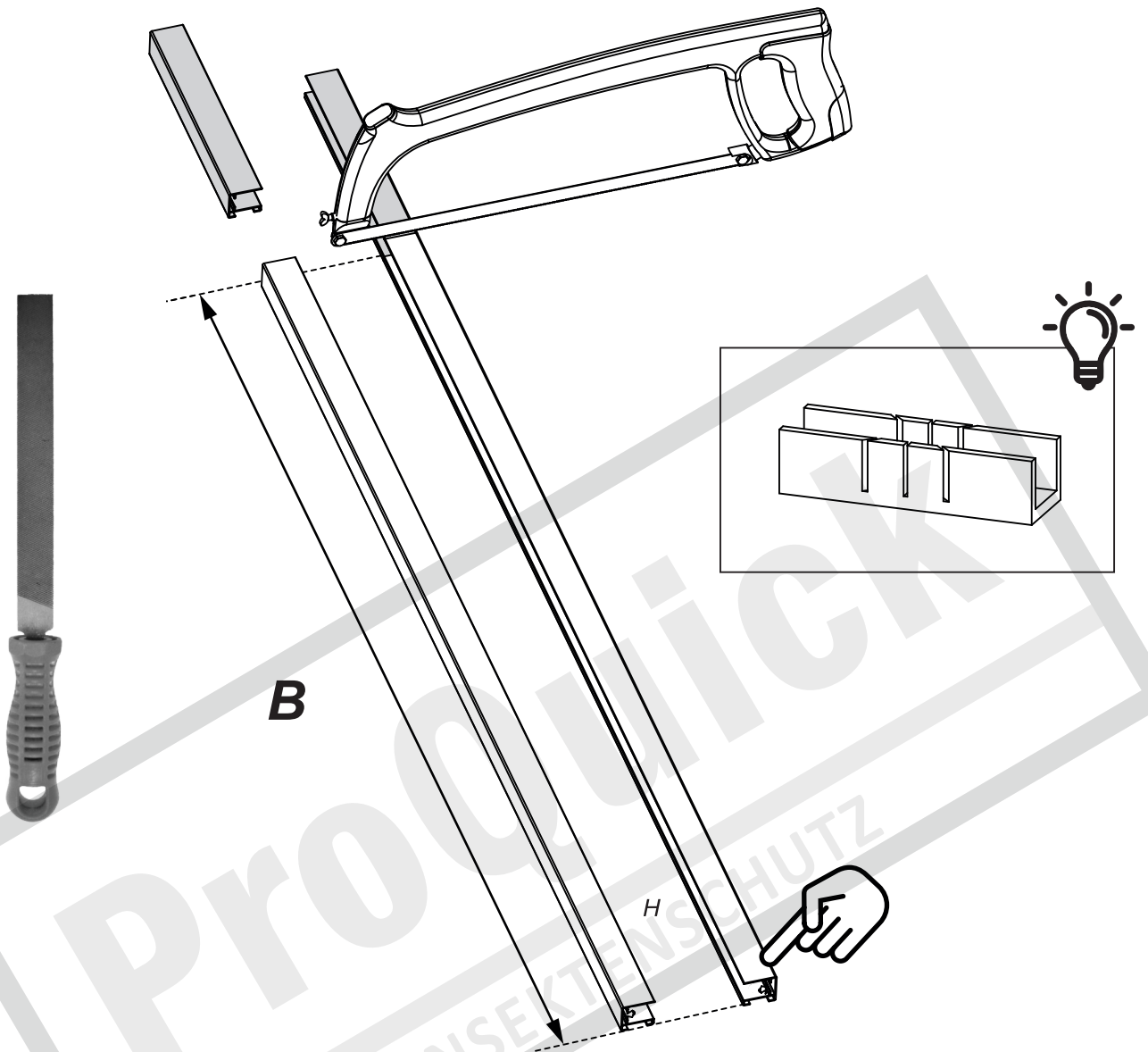
2



B = _____ , _____ cm

H = _____ , _____ cm

3



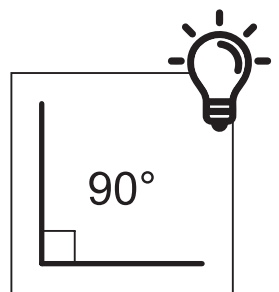
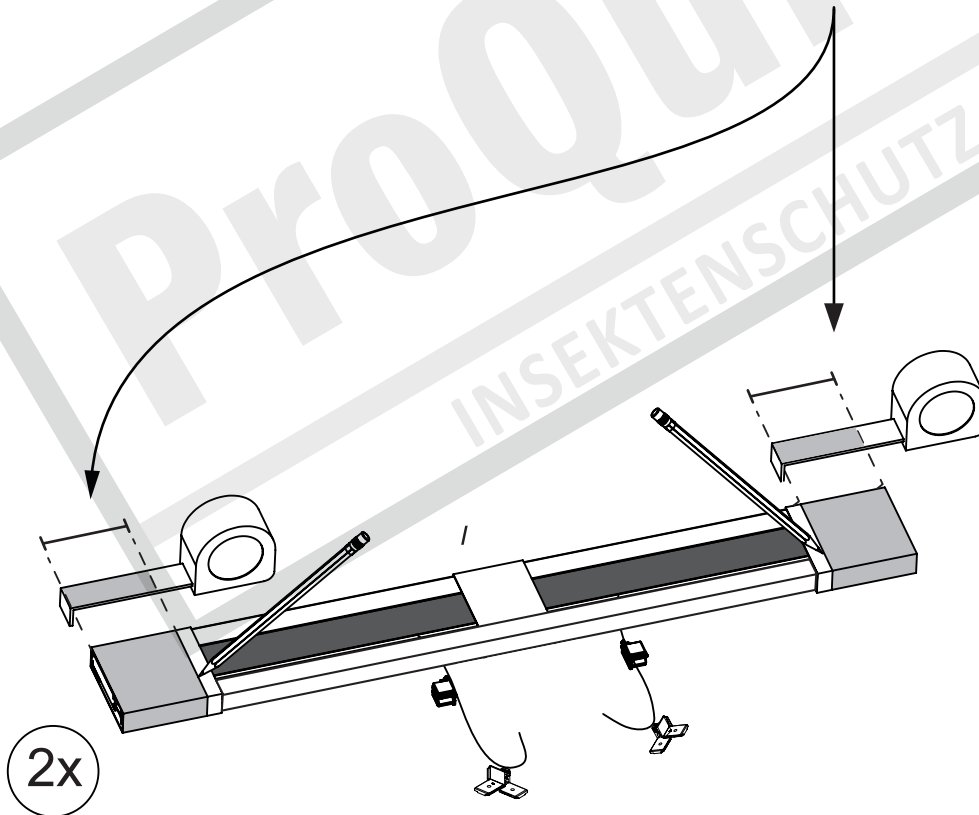
4

a) $\boxed{L} - \boxed{H} = \underline{\hspace{1cm}}, \underline{\hspace{1cm}} \text{ cm} - \underline{\hspace{1cm}}, \underline{\hspace{1cm}} \text{ cm} = \underline{\hspace{1cm}}, \underline{\hspace{1cm}} \text{ cm}$

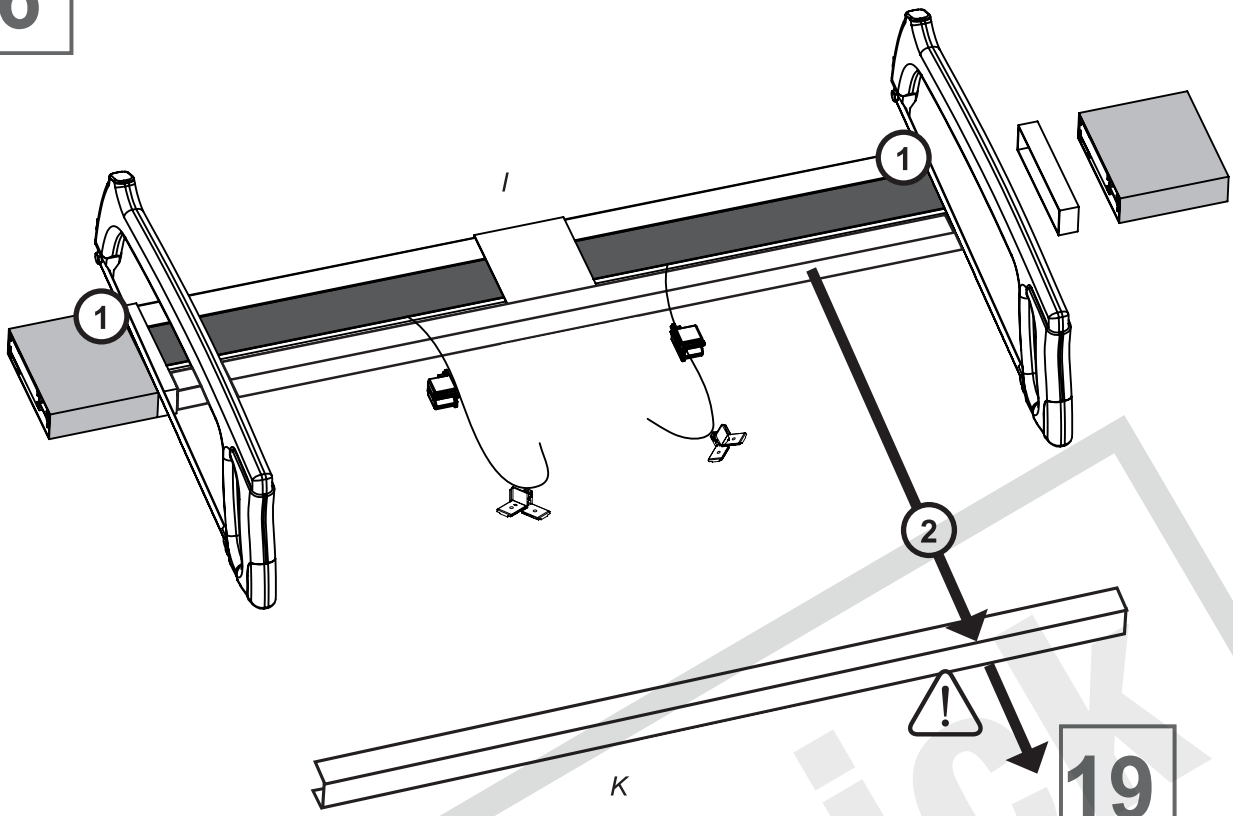
b) $\underline{\hspace{1cm}}, \underline{\hspace{1cm}} \text{ cm} - 3,0 \text{ cm} = \underline{\hspace{1cm}}, \underline{\hspace{1cm}} \text{ cm}$

c) $\frac{\underline{\hspace{1cm}}, \underline{\hspace{1cm}}}{2} = \boxed{\underline{\hspace{1cm}}, \underline{\hspace{1cm}} \text{ cm}}$

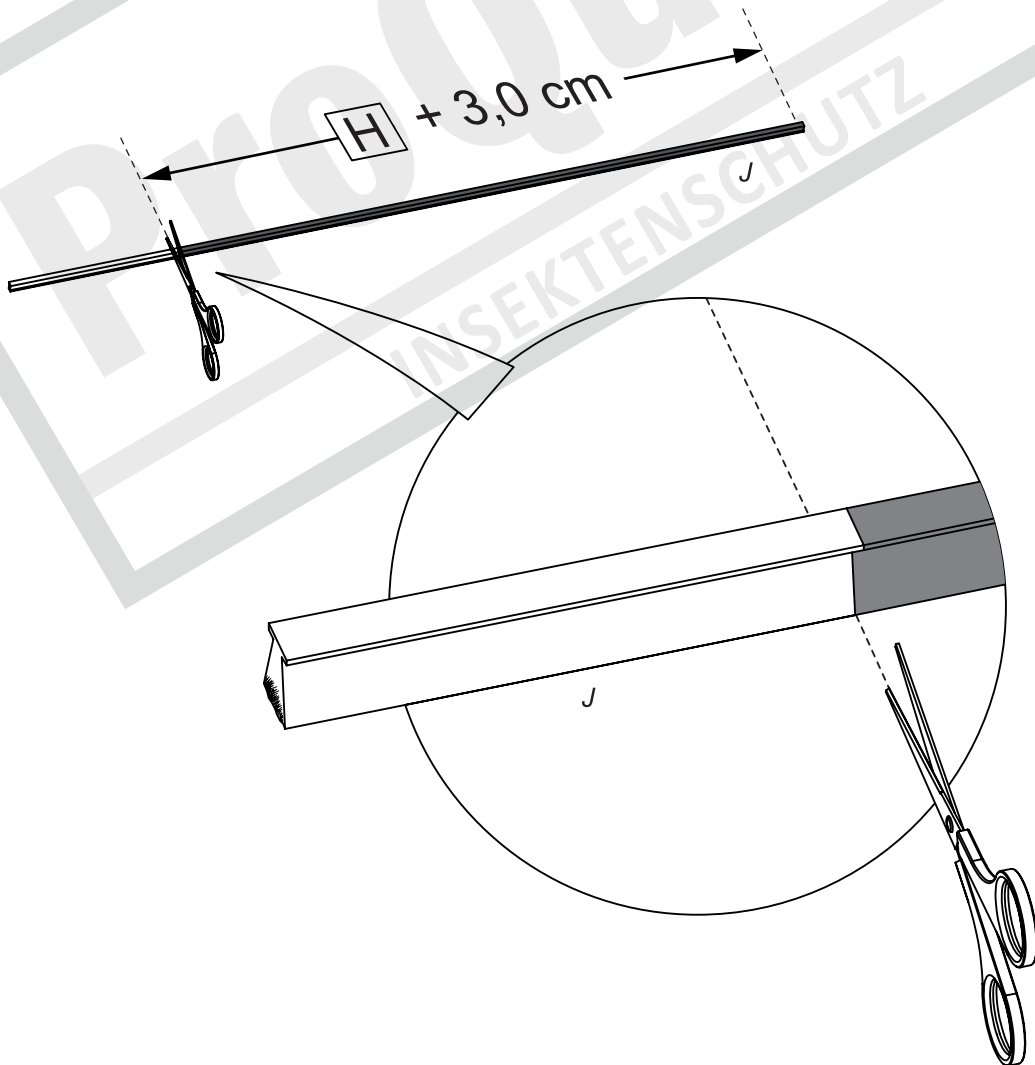
5



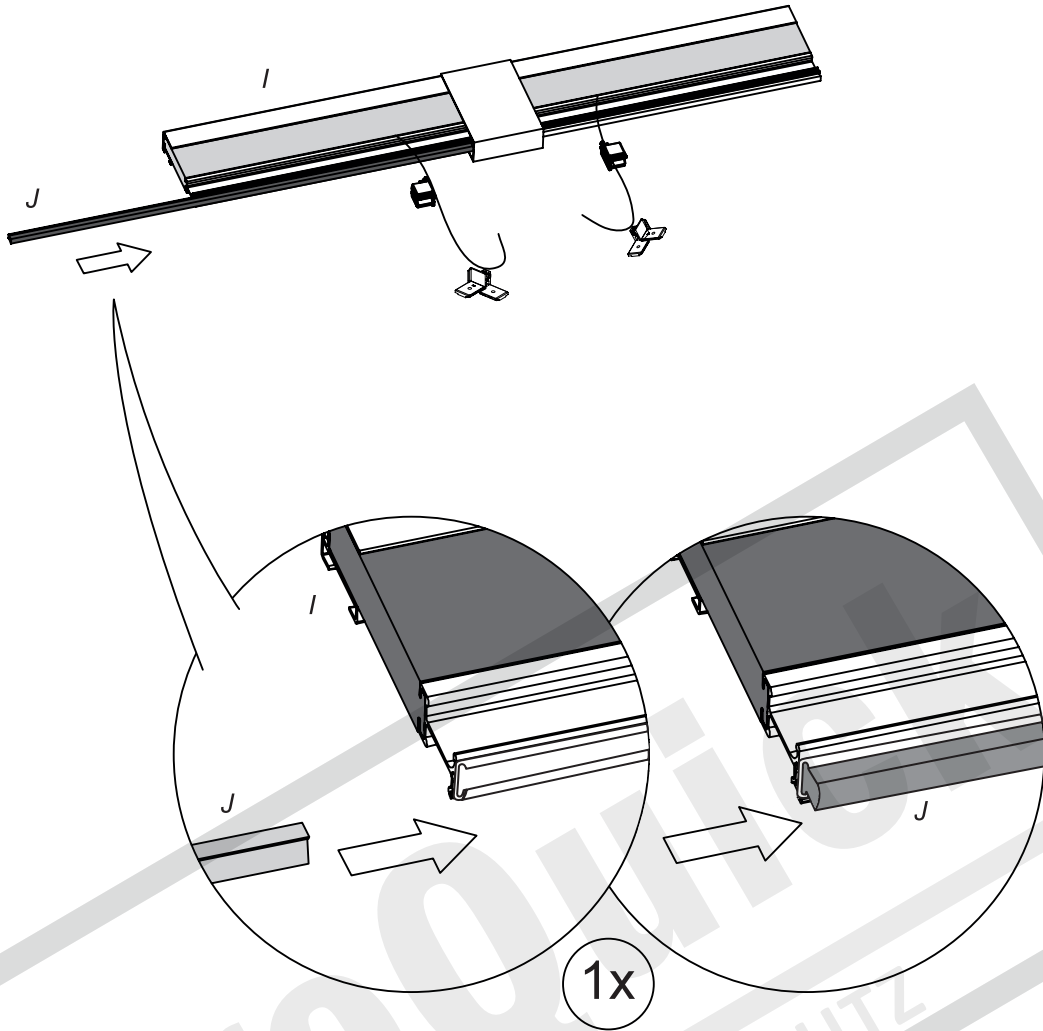
6



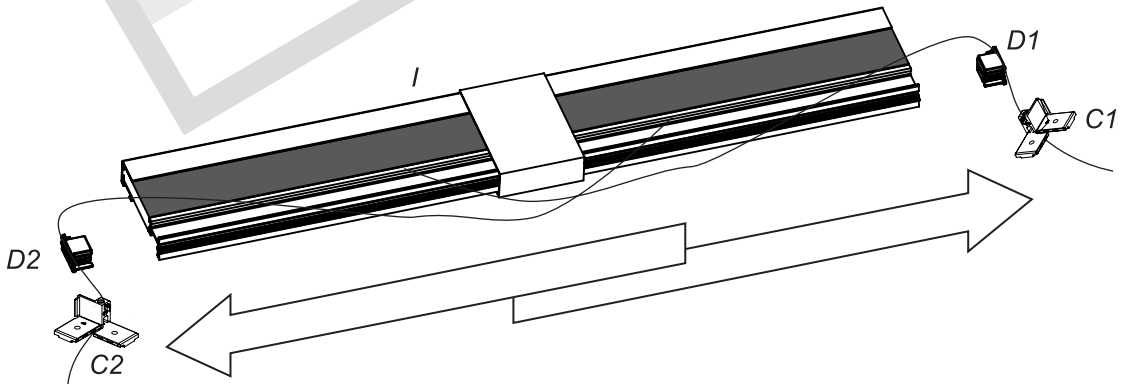
7



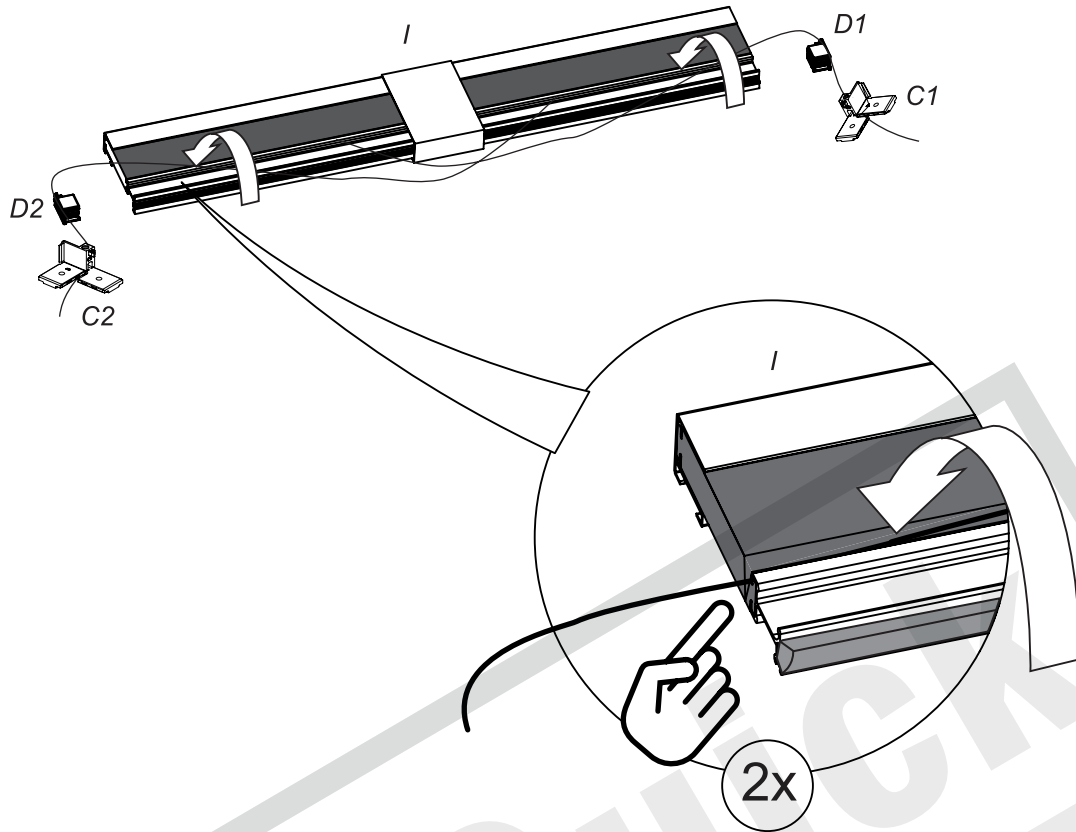
8



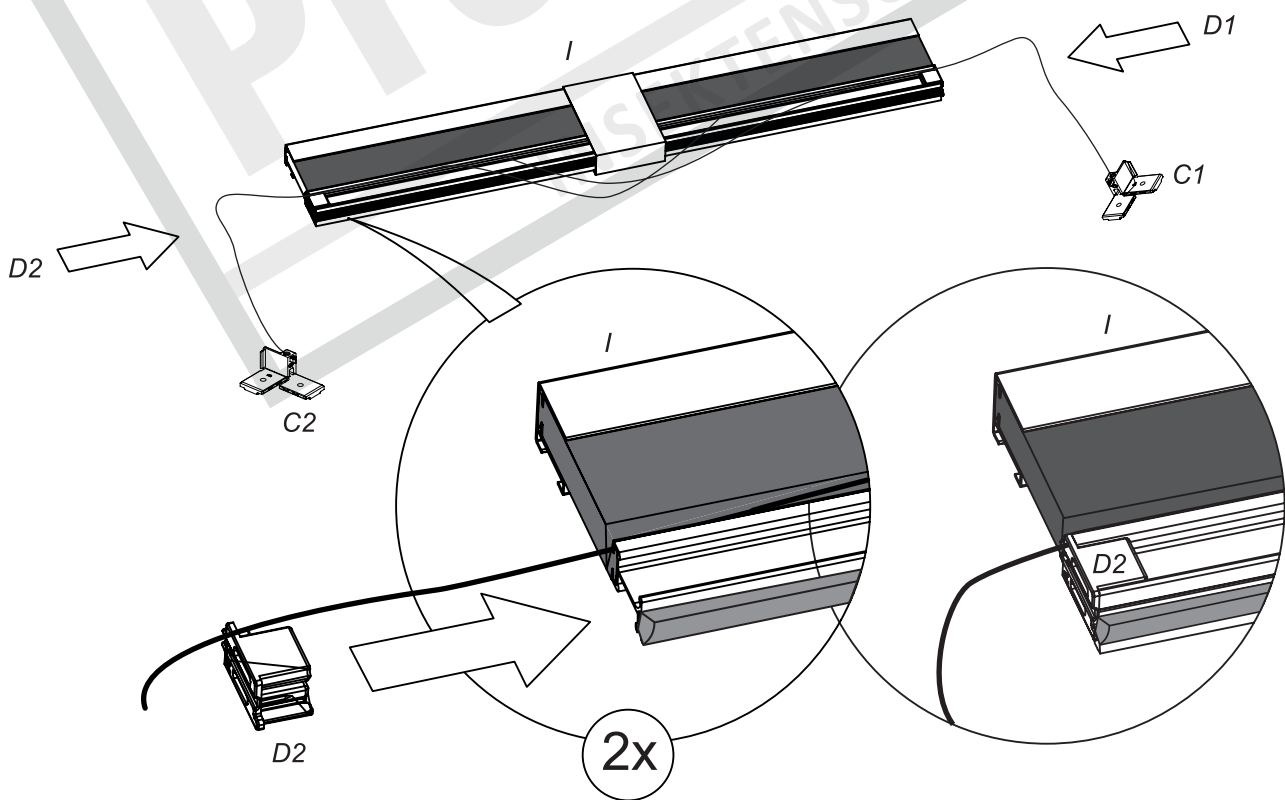
9

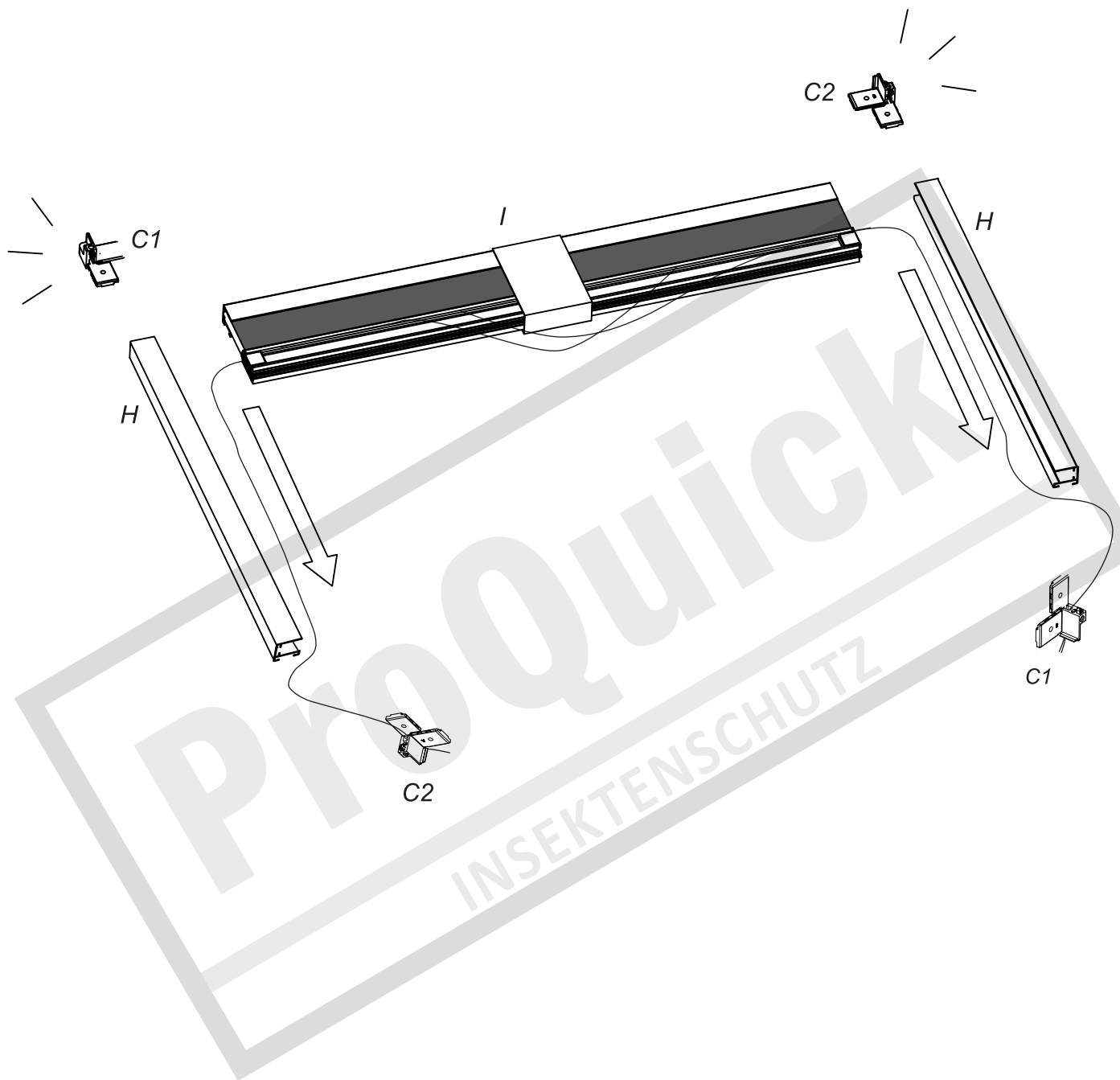


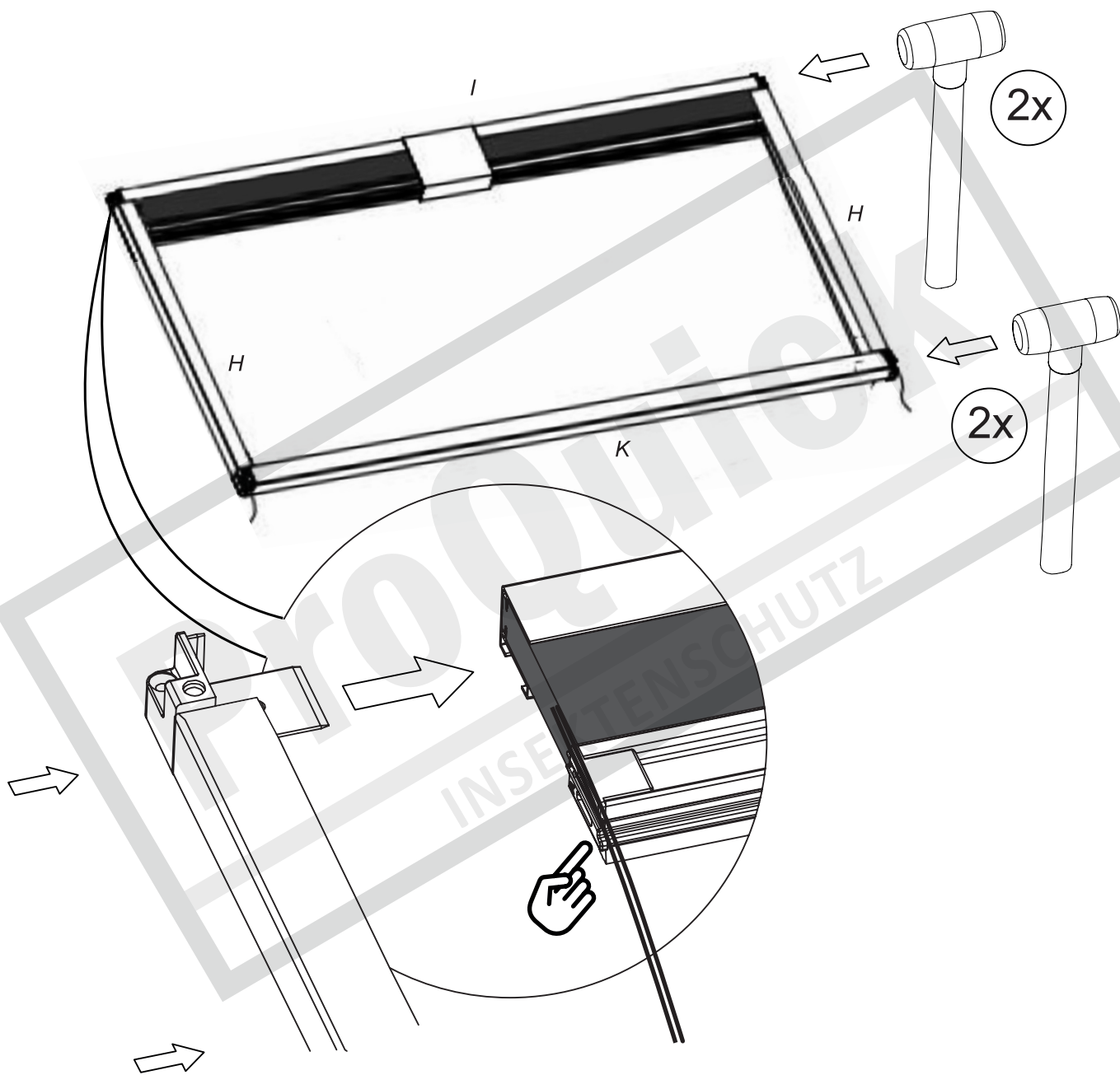
10



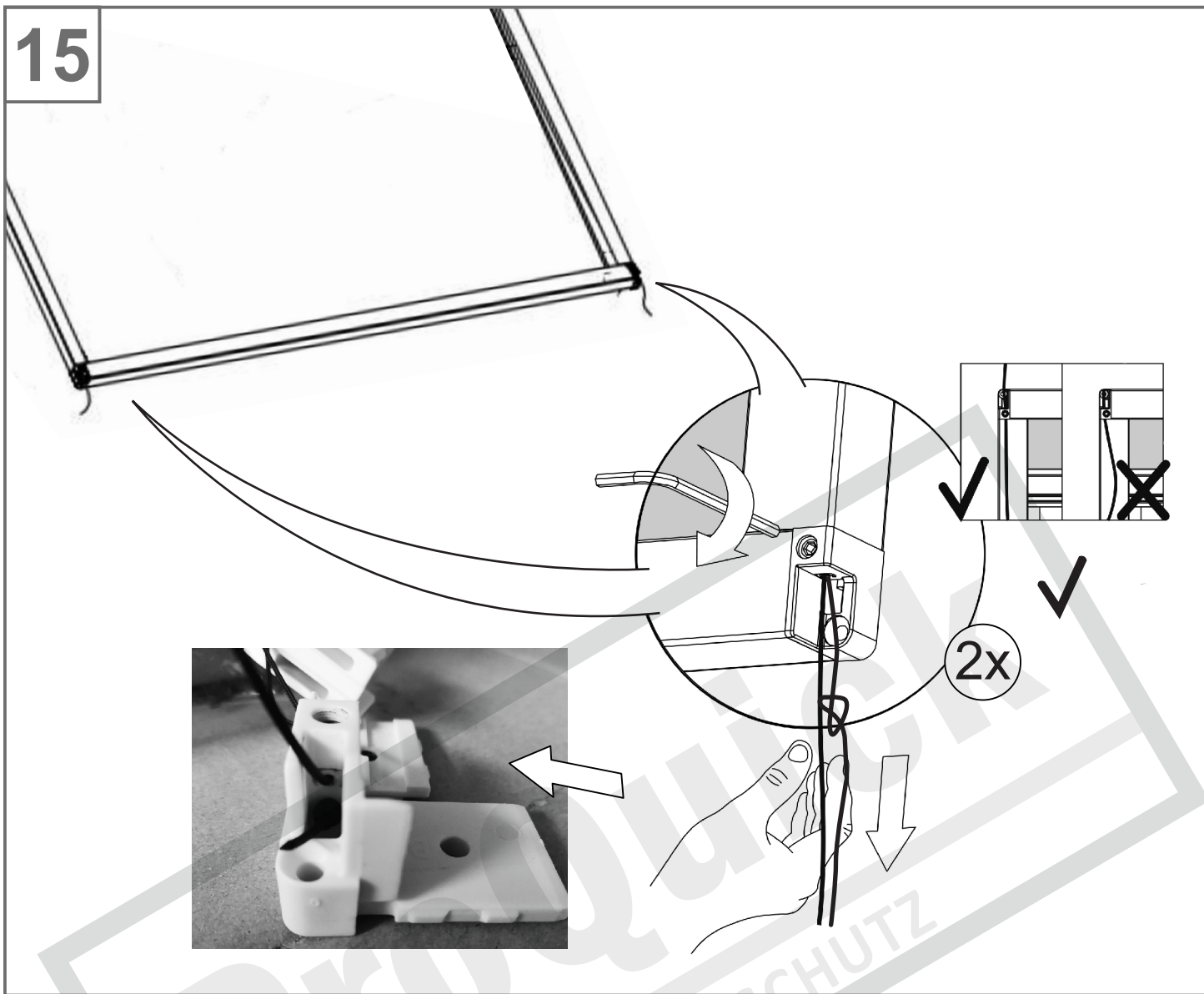
11



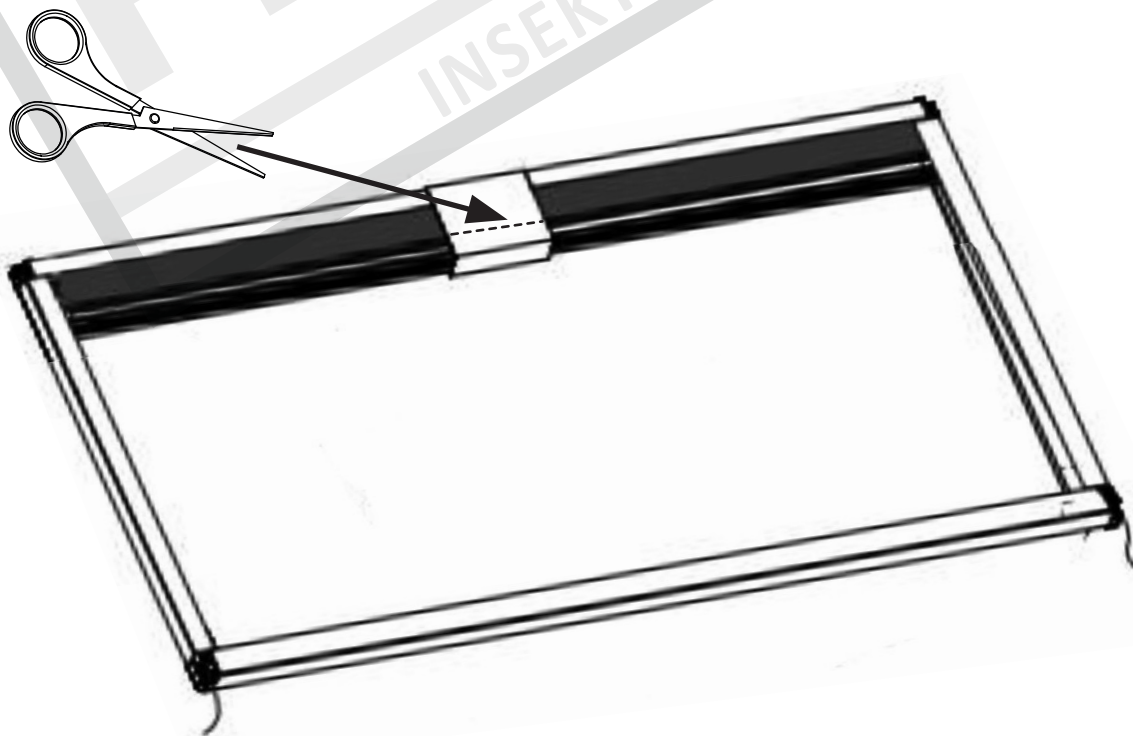




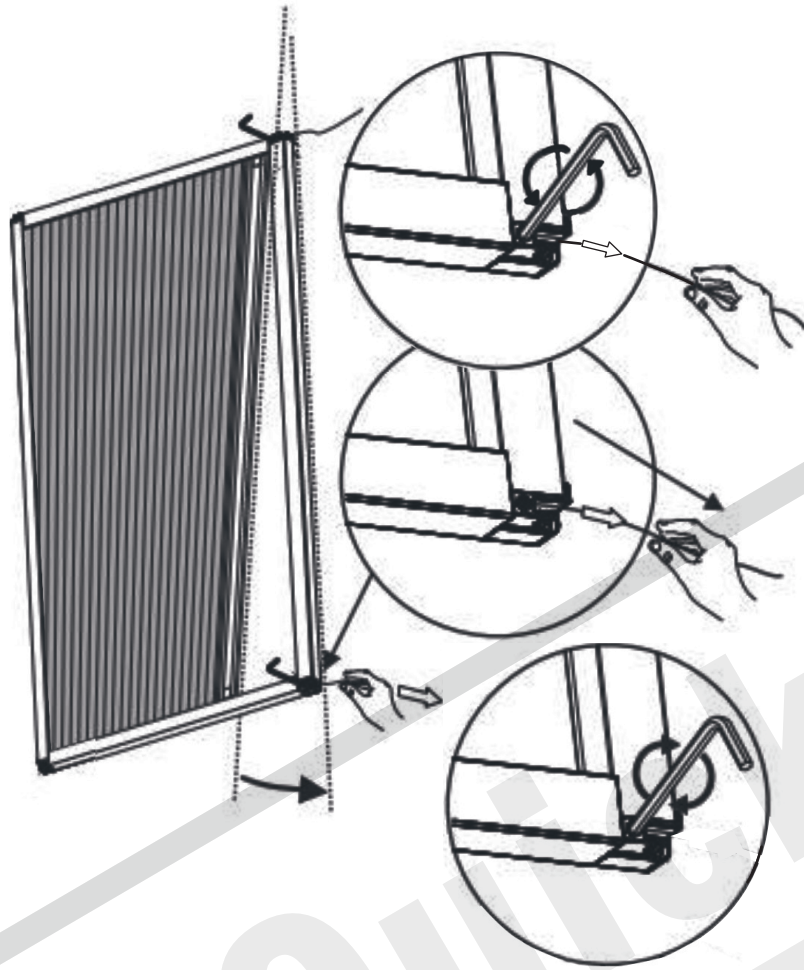
15



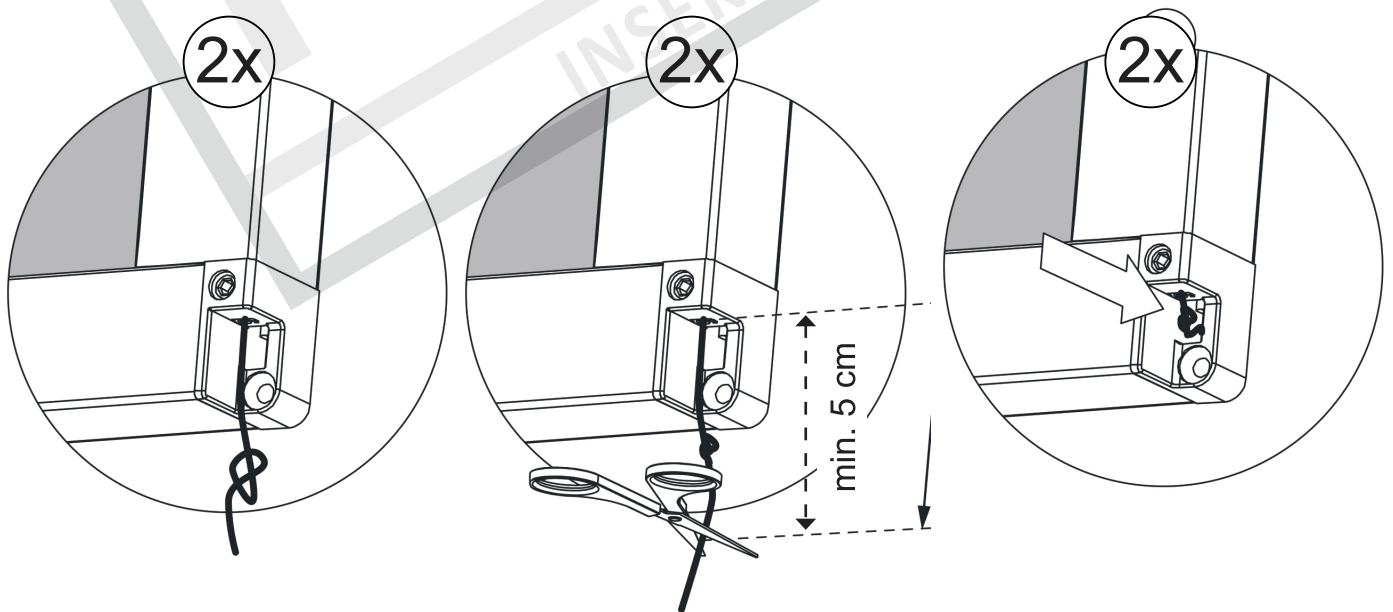
16



17



18



19

ca. 250 mm

ca. 250 mm

ca. 250 mm

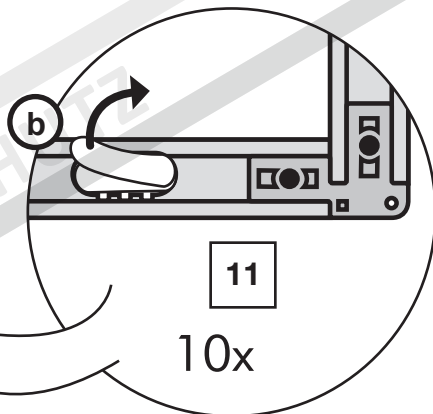
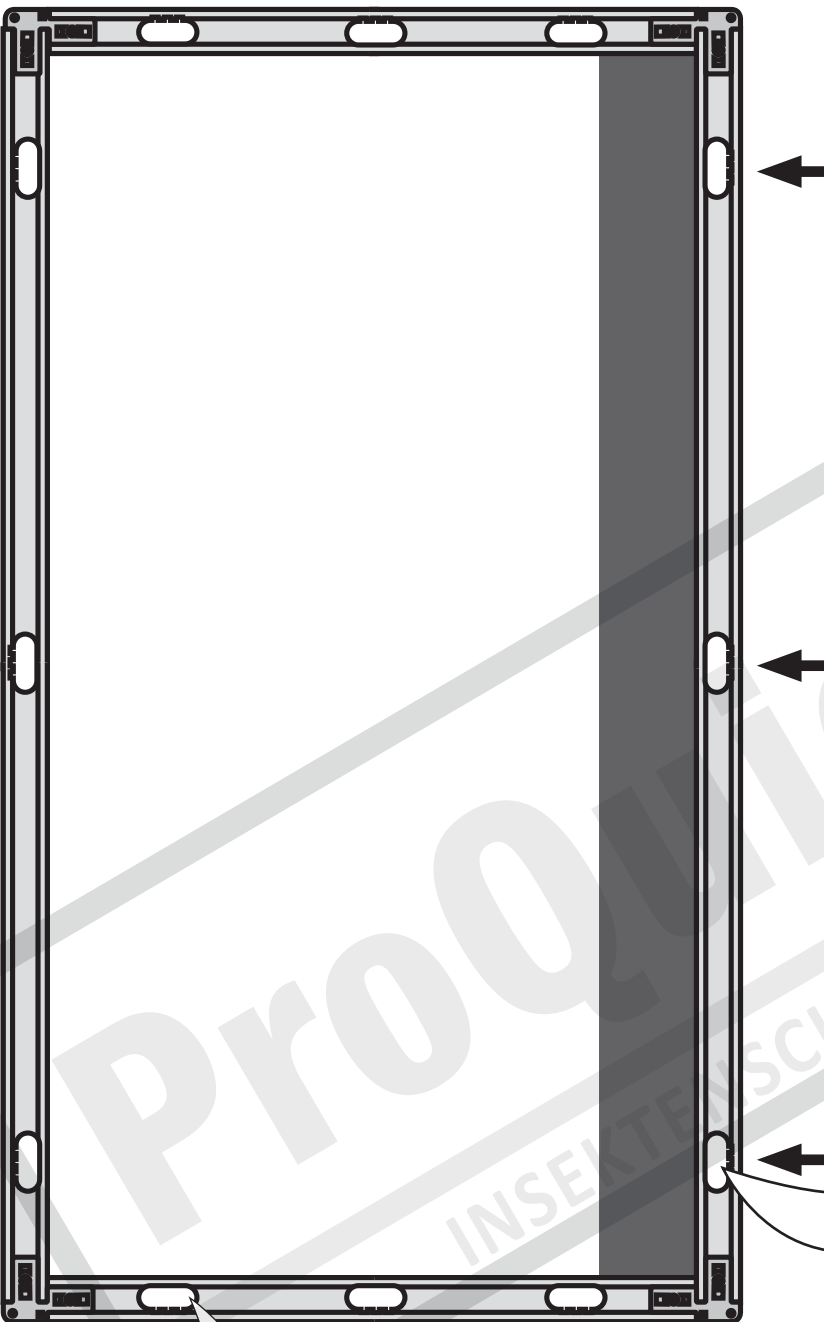
ca. 250 mm

OPTION 1

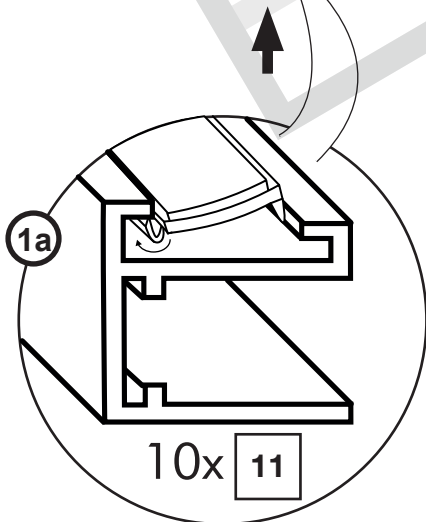


22

OPTION 2

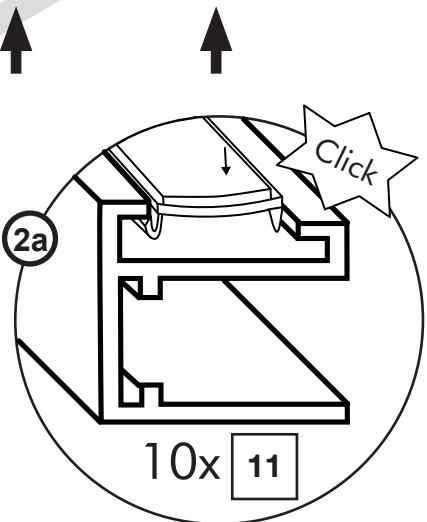


10x



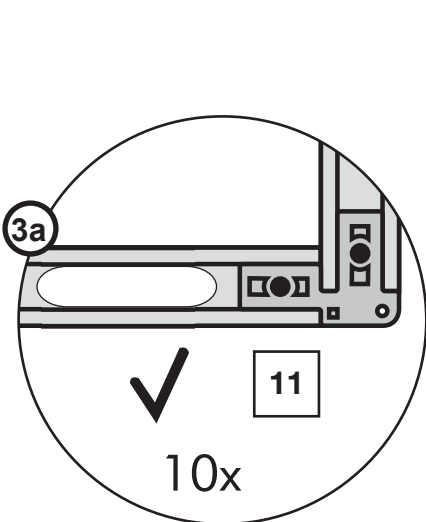
1a

10x 11



2a

10x 11

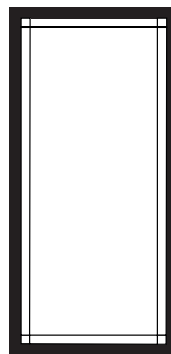
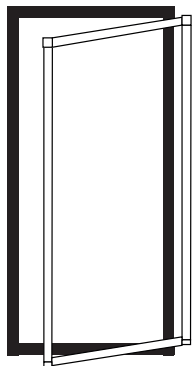


3a

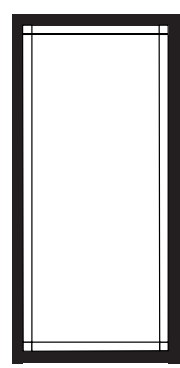
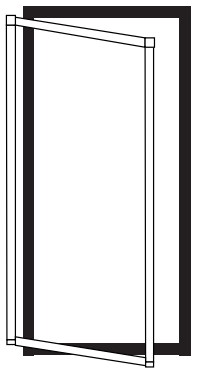
10x 11

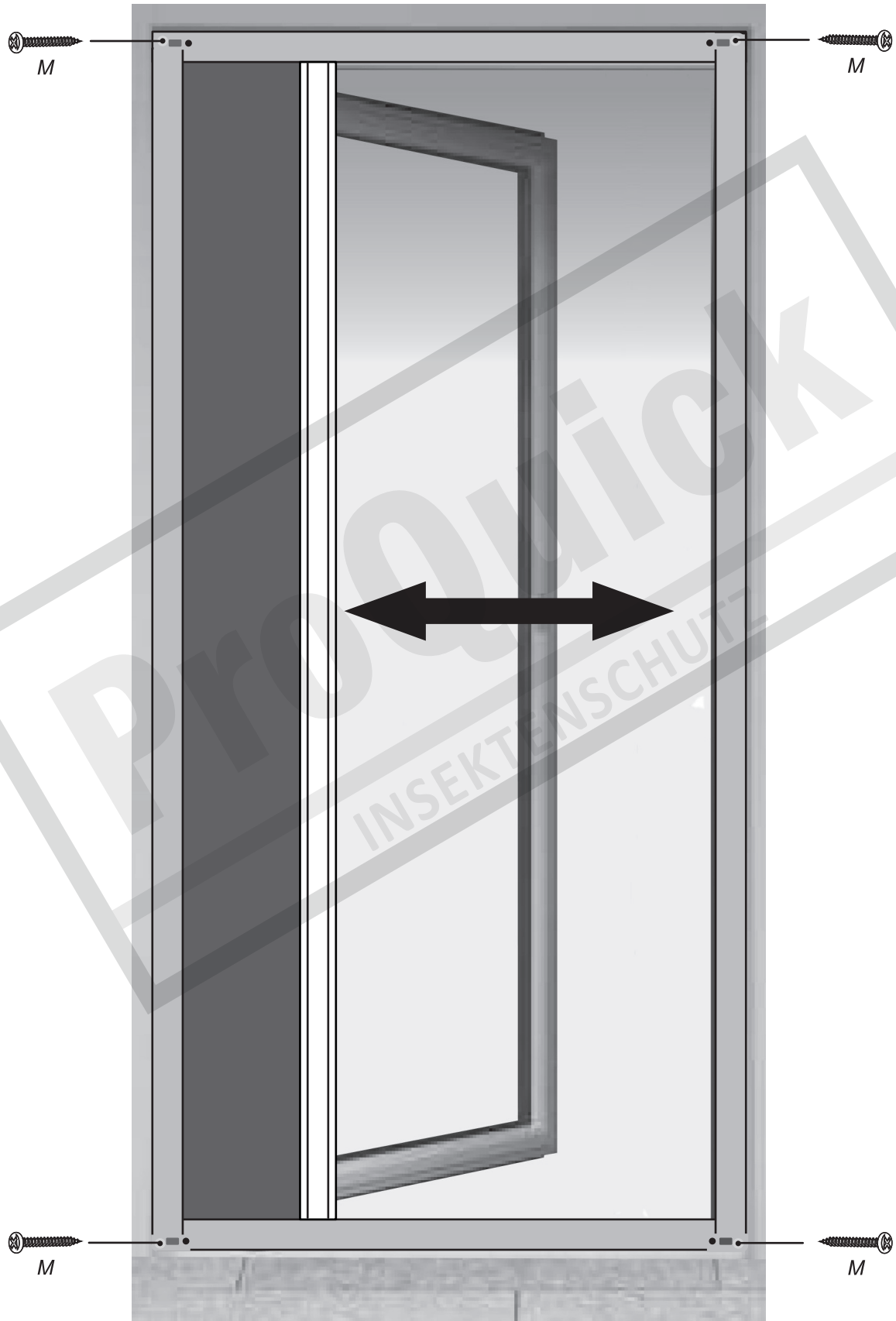
20

OPTION A



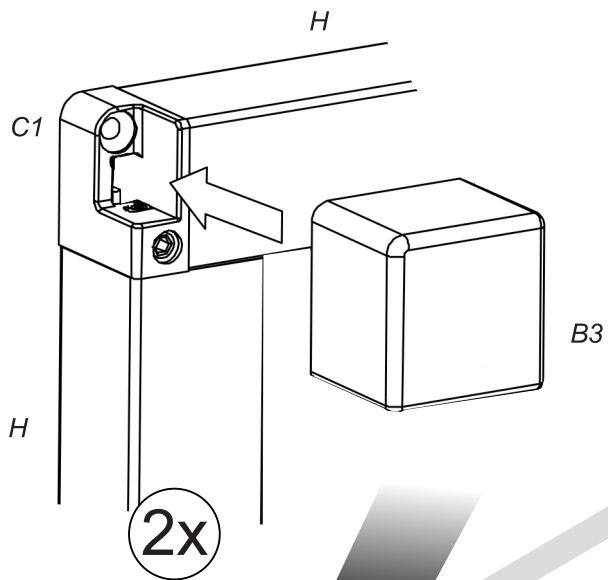
21 OPTION B





23

OPTION 1



OPTION 2

