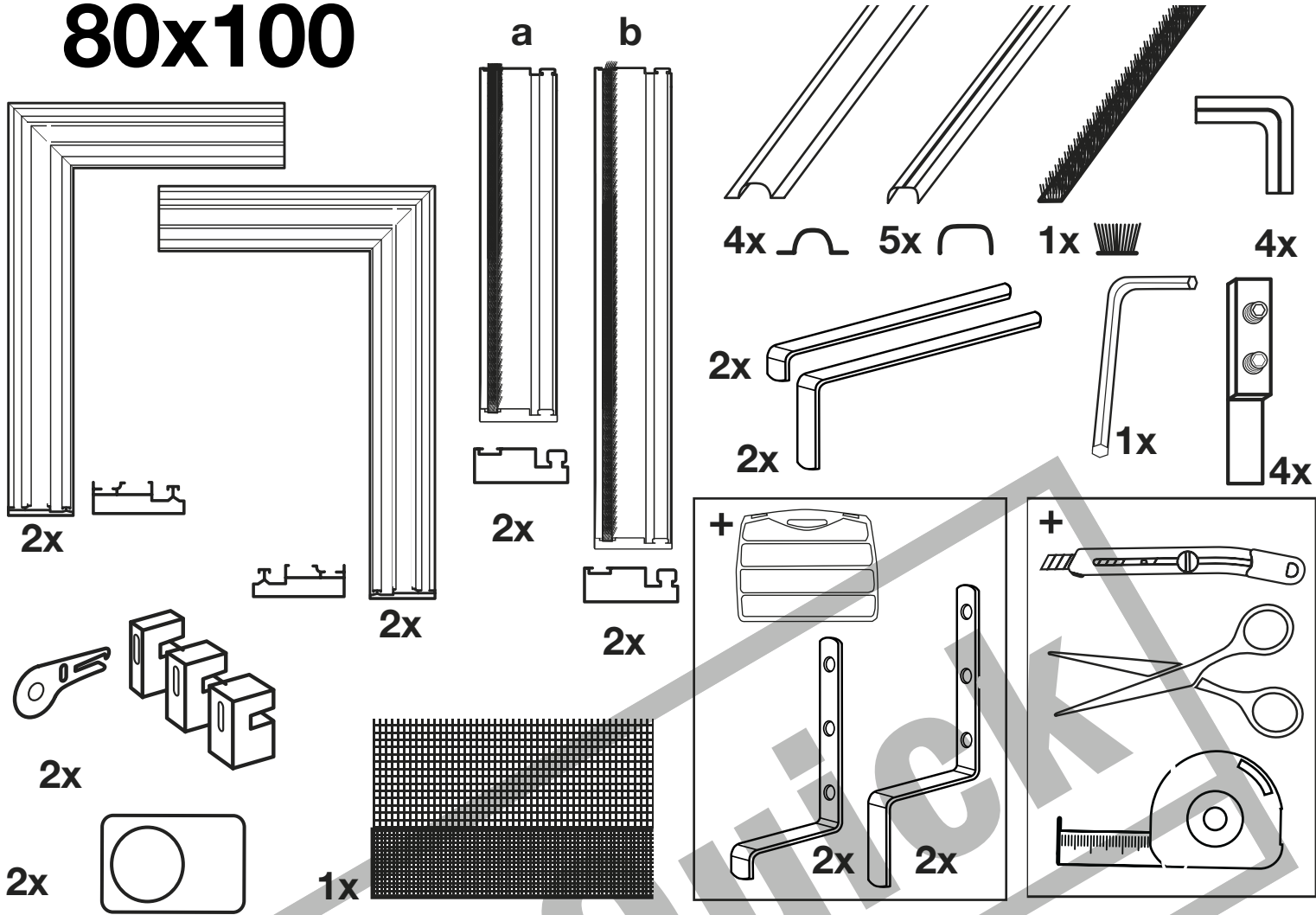
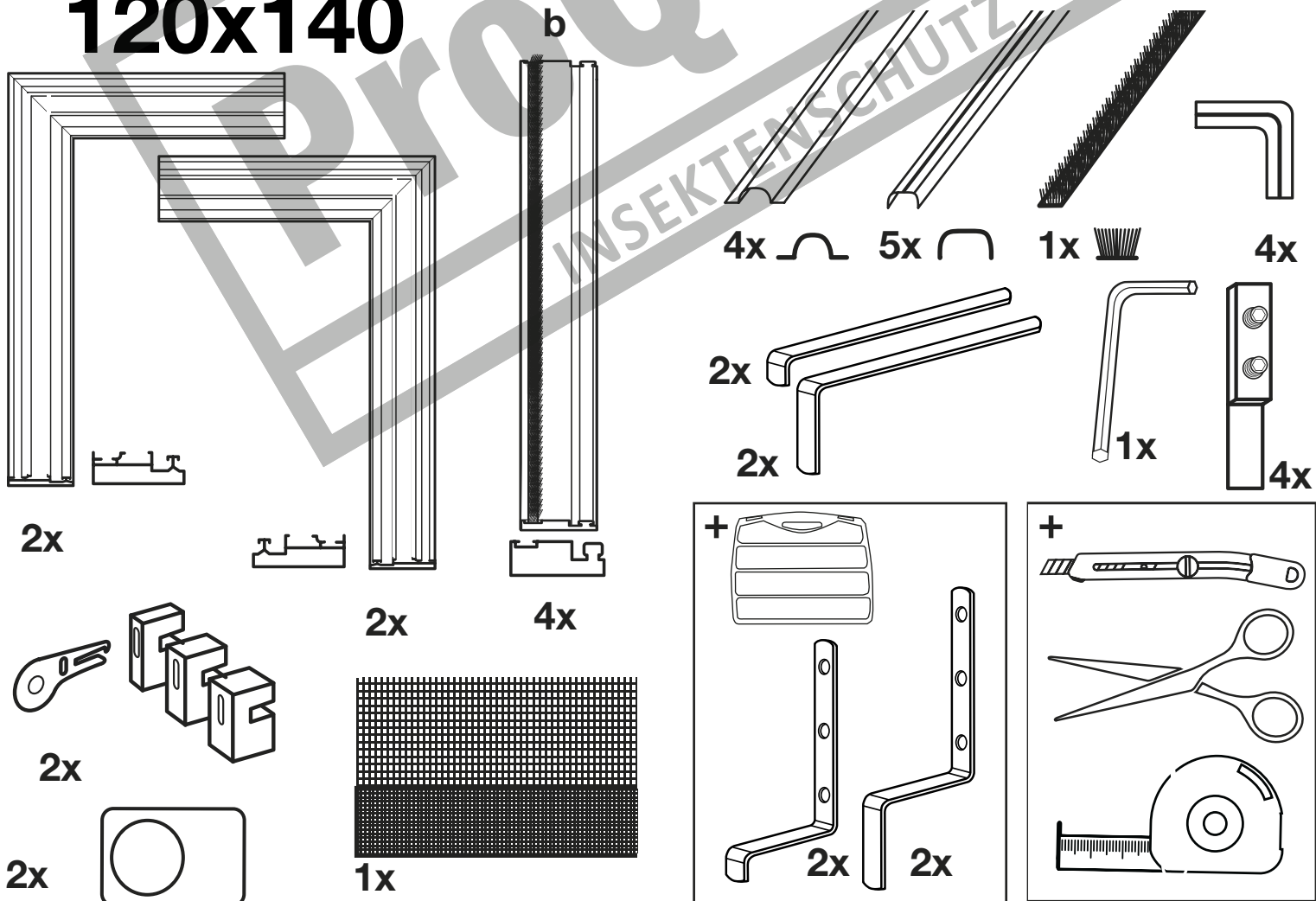


Proquiter
INSEKTENSCHUTZ

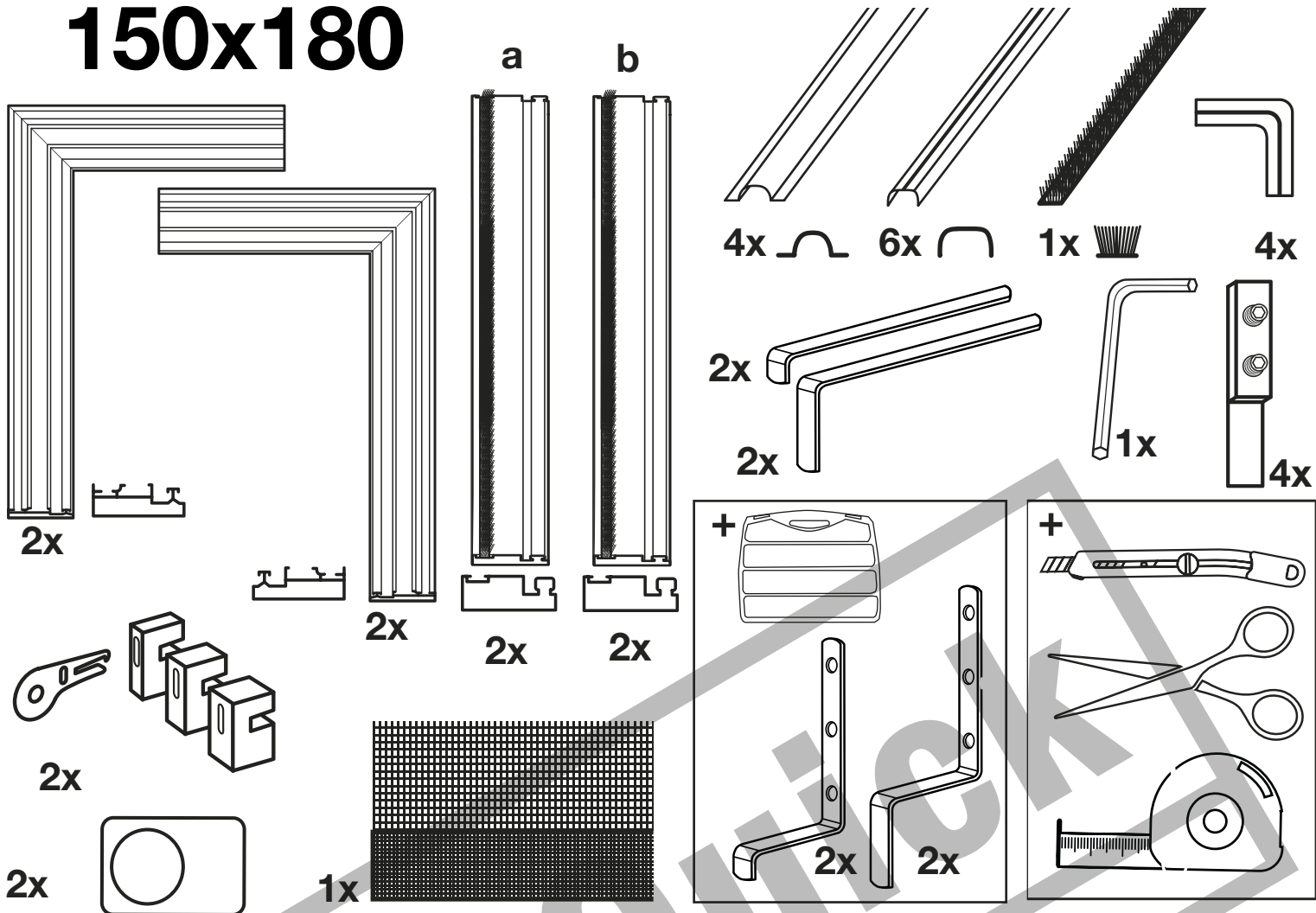
80x100



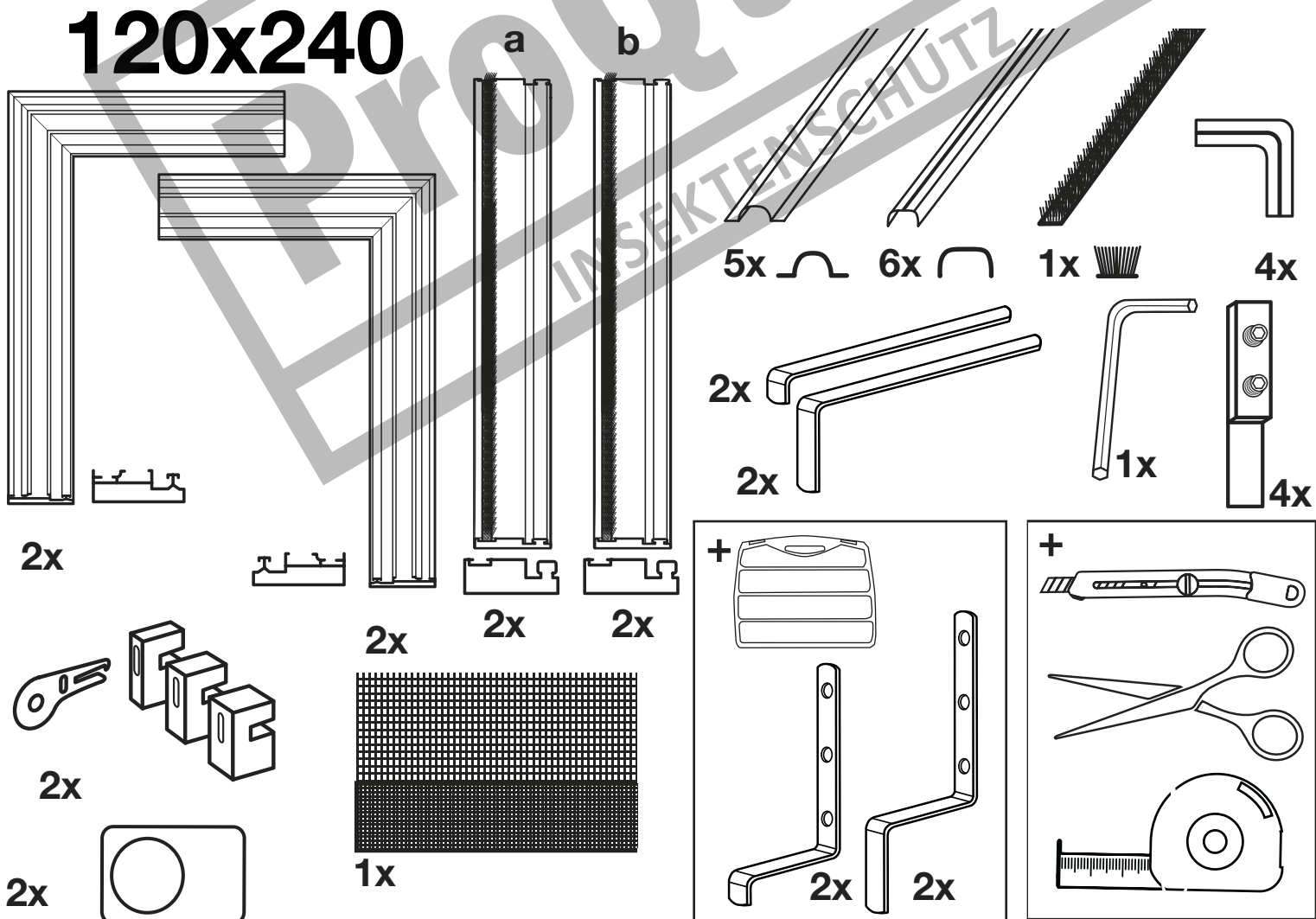
120x140

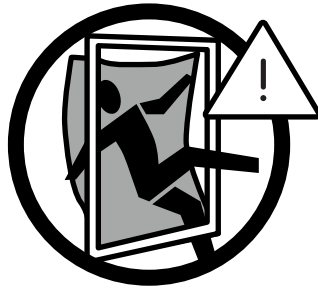


150x180

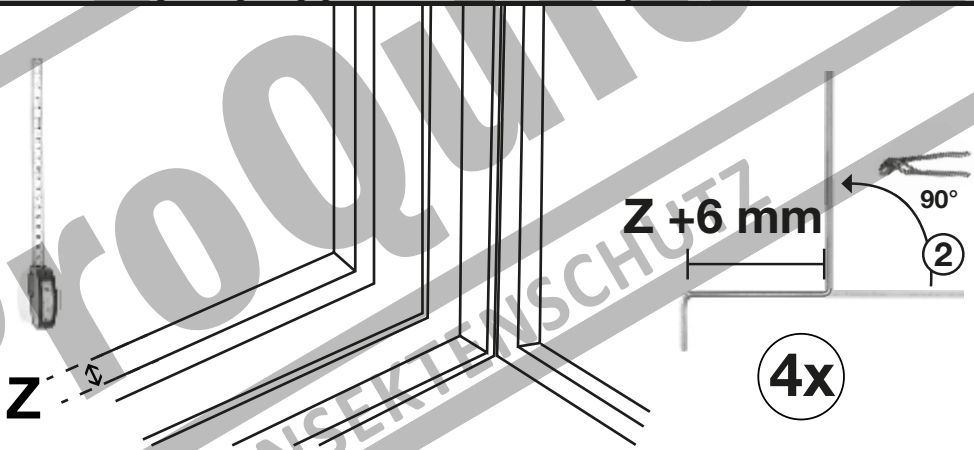
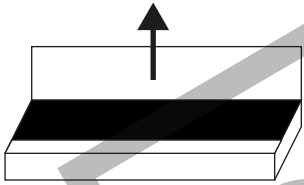
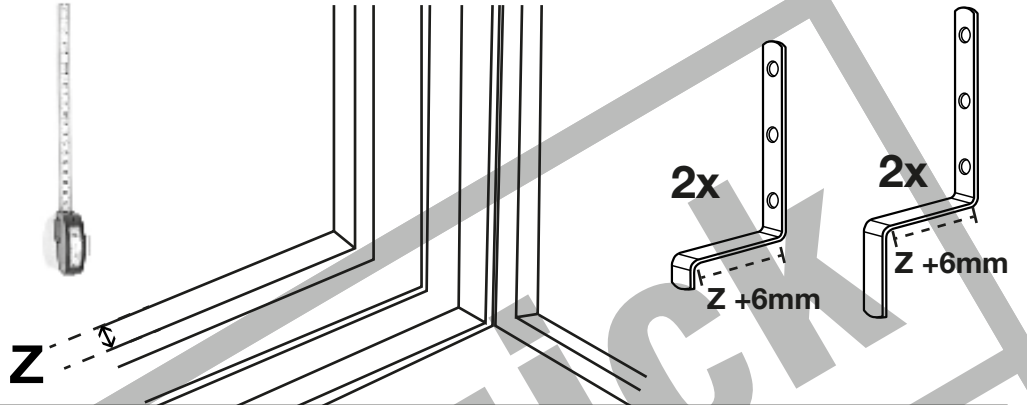
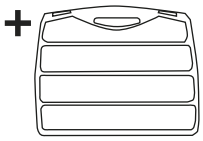


120x240



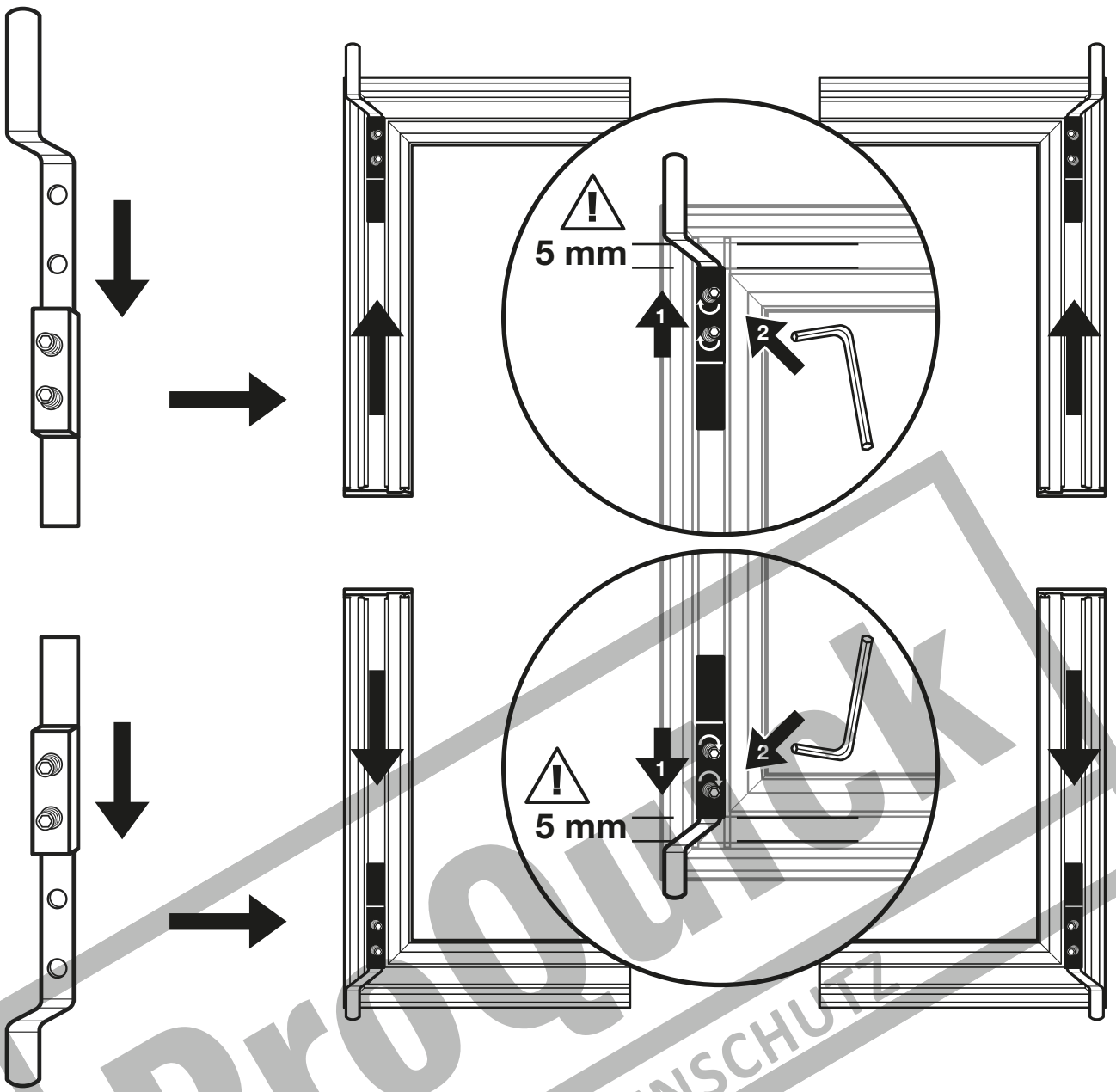


1a

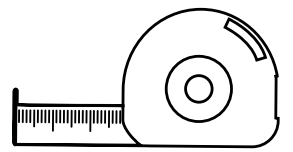
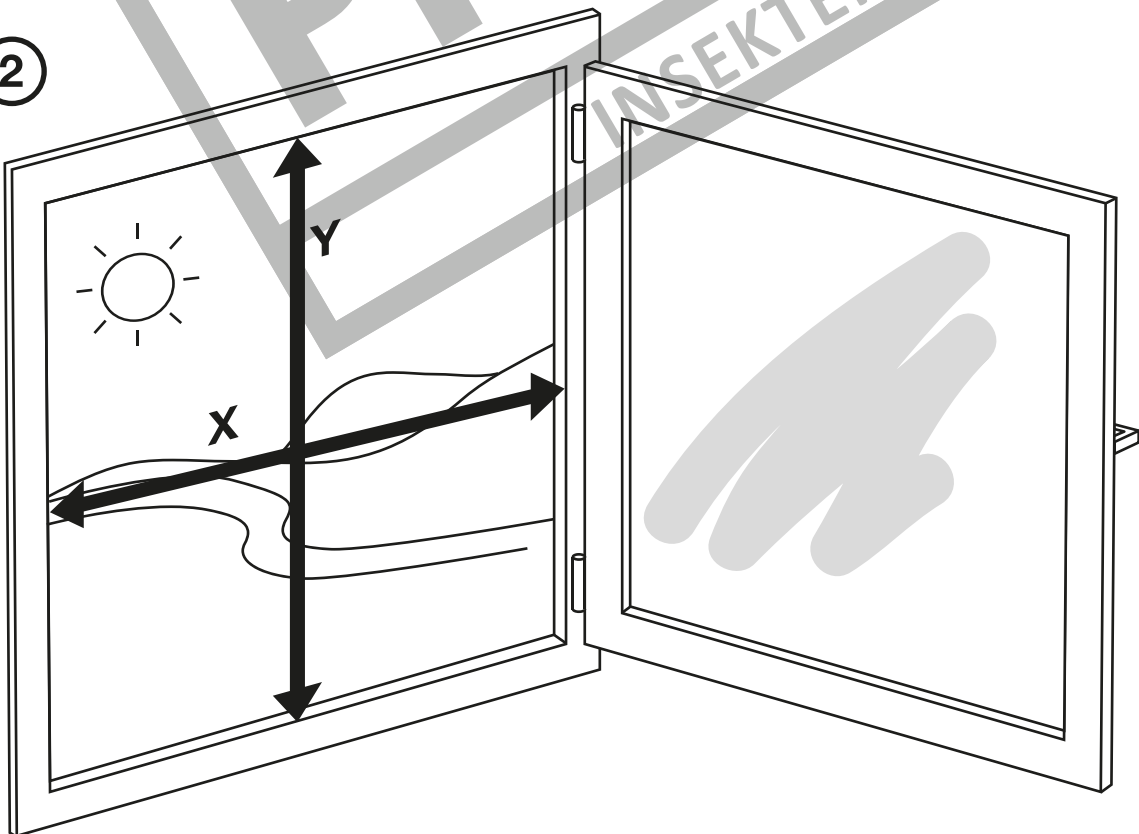


PROQUINCH
INSEKTENSCHUTZ

1b



2



X = _____ mm

Y = _____ mm

3

120x140

Y = _____ mm

$L = \frac{Y}{2} - 380 =$ _____ mm

80x100

Y = _____ mm

$L = \frac{Y}{2} - 265 =$ _____ mm

120x240

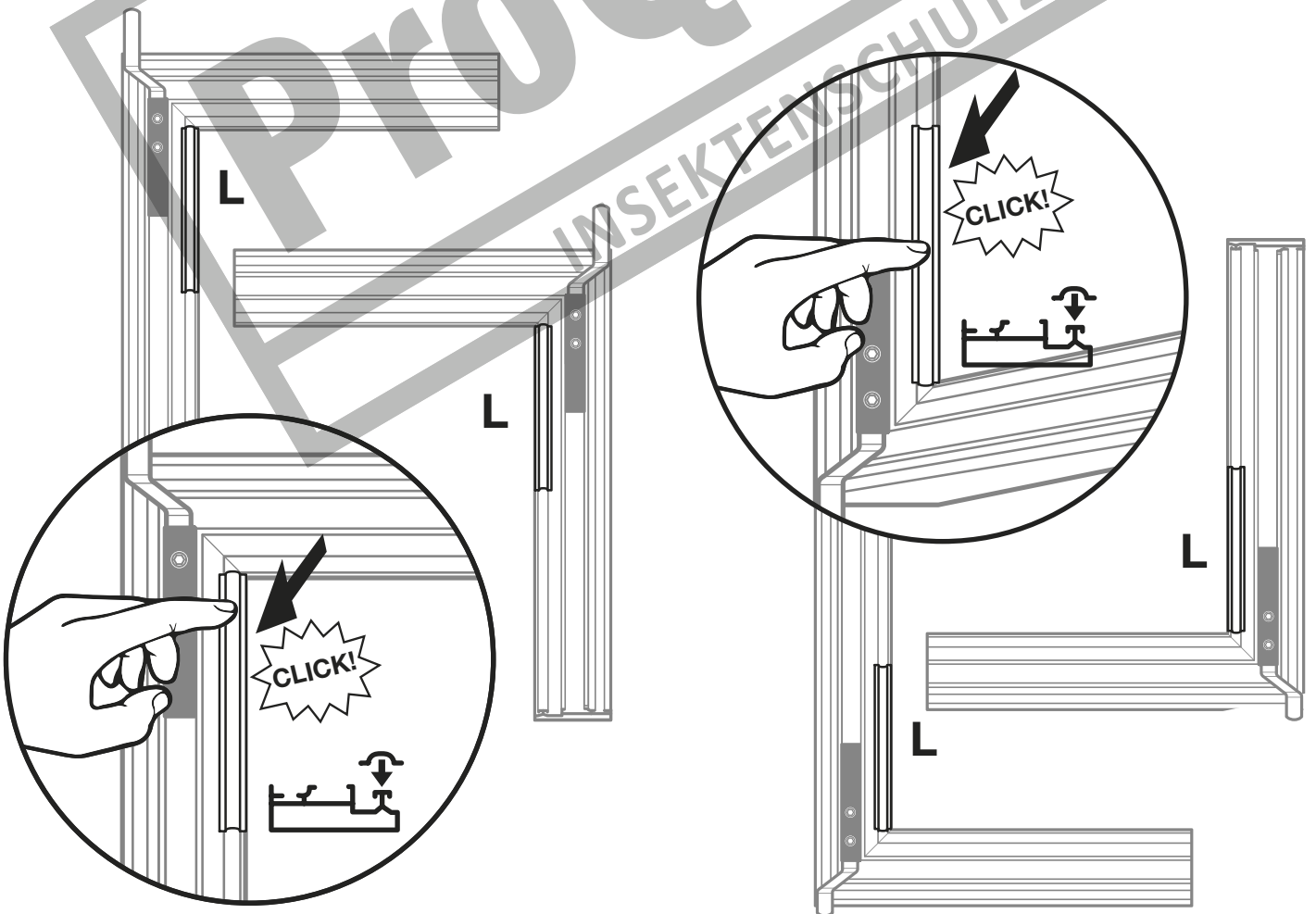
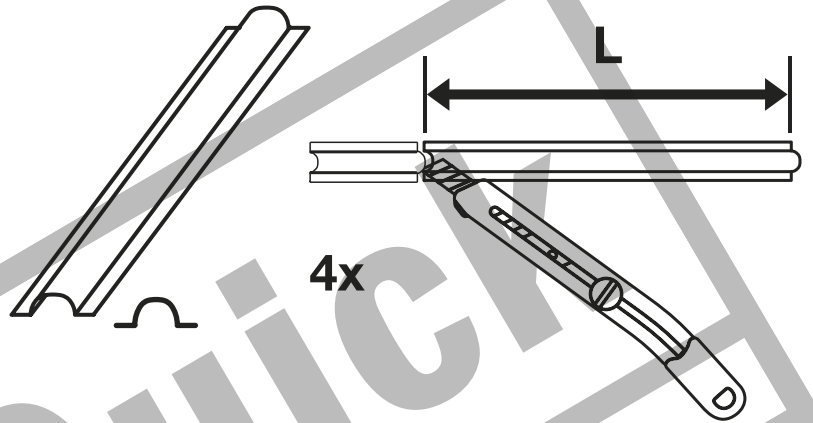
Y = _____ mm

$L = \frac{Y}{2} - 600 =$ _____ mm

150x180

Y = _____ mm

$L = \frac{Y}{2} - 580 =$ _____ mm



4

120x140

$$Y = \underline{\hspace{2cm}} \text{ mm}$$

$$B = \frac{X}{2} - 385 = \underline{\hspace{2cm}} \text{ mm}$$

80x100

$$Y = \underline{\hspace{2cm}} \text{ mm}$$

$$B = \frac{X}{2} - 235 = \underline{\hspace{2cm}} \text{ mm}$$

120x240

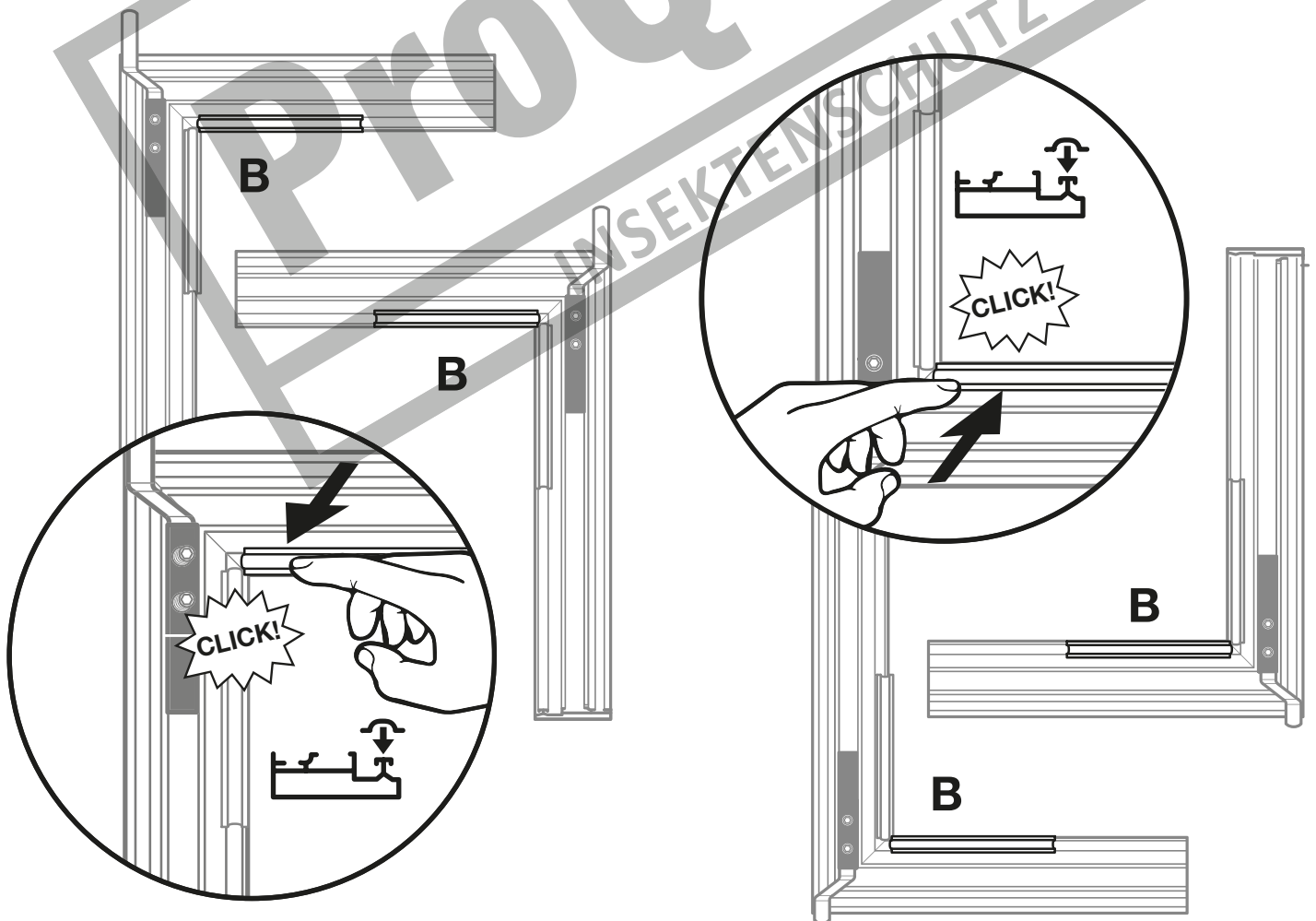
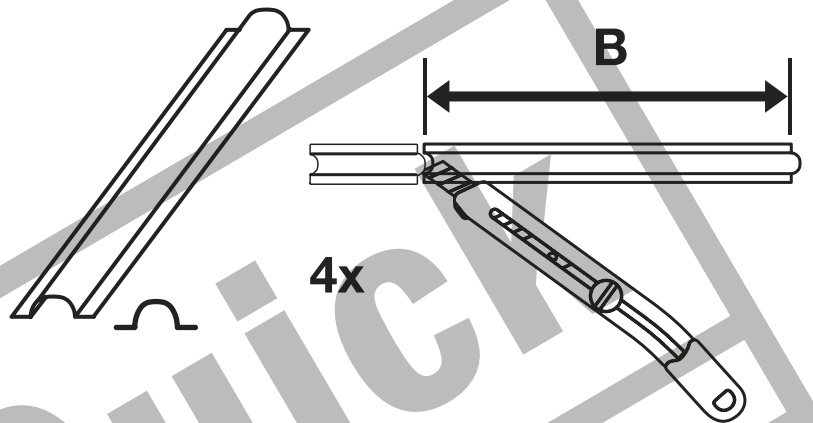
$$Y = \underline{\hspace{2cm}} \text{ mm}$$

$$B = \frac{X}{2} - 480 = \underline{\hspace{2cm}} \text{ mm}$$

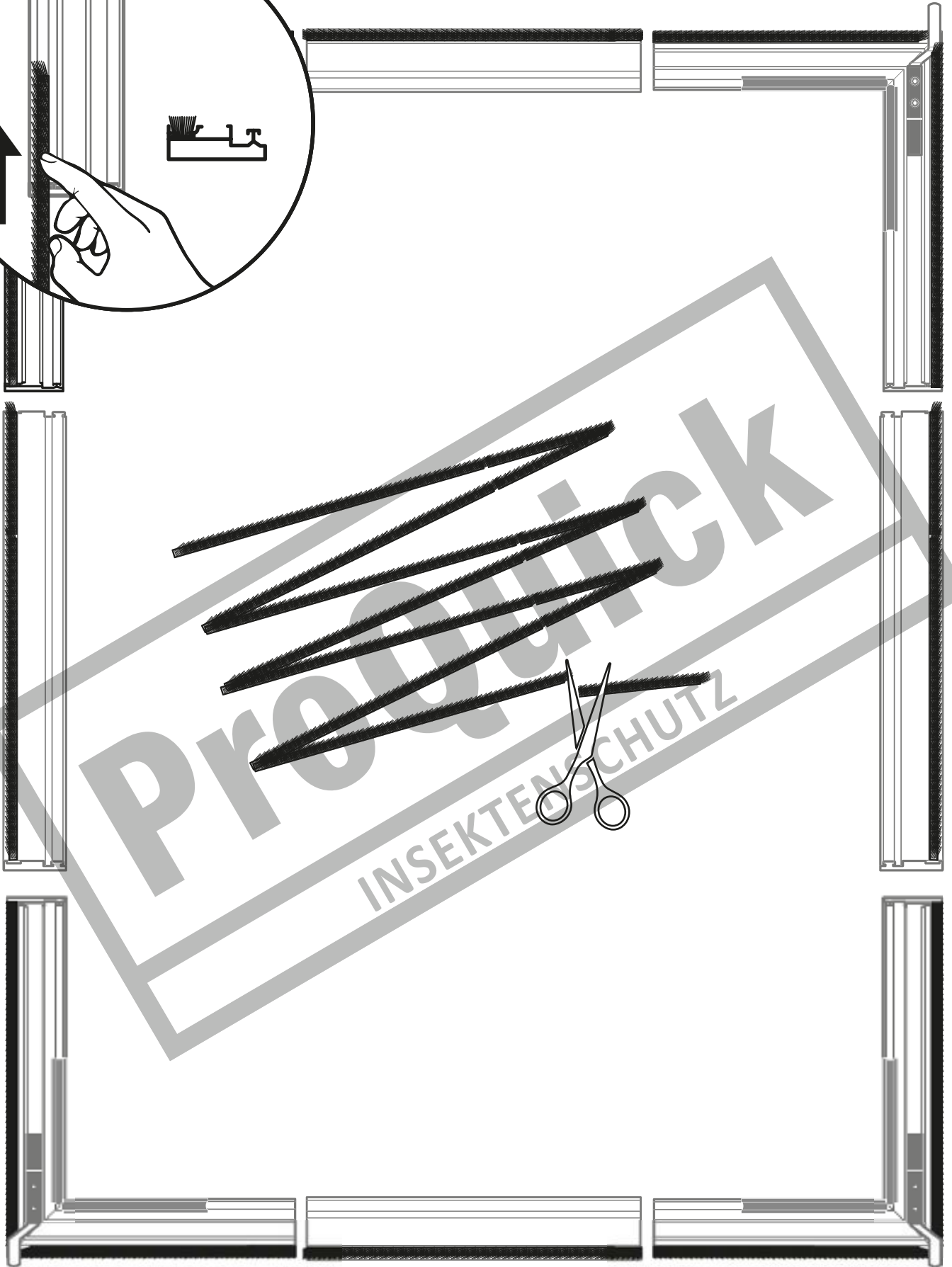
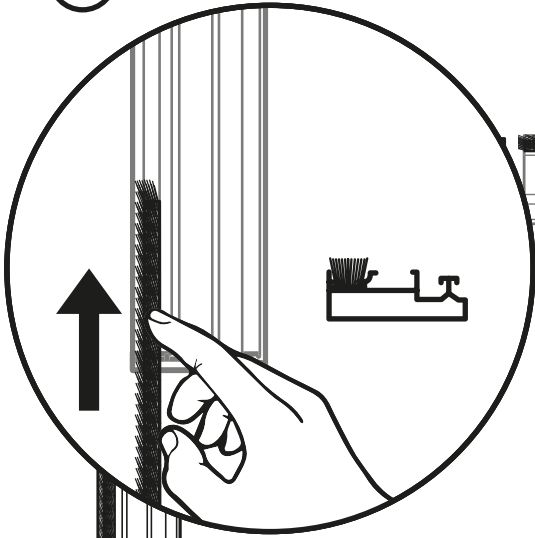
150x180

$$Y = \underline{\hspace{2cm}} \text{ mm}$$

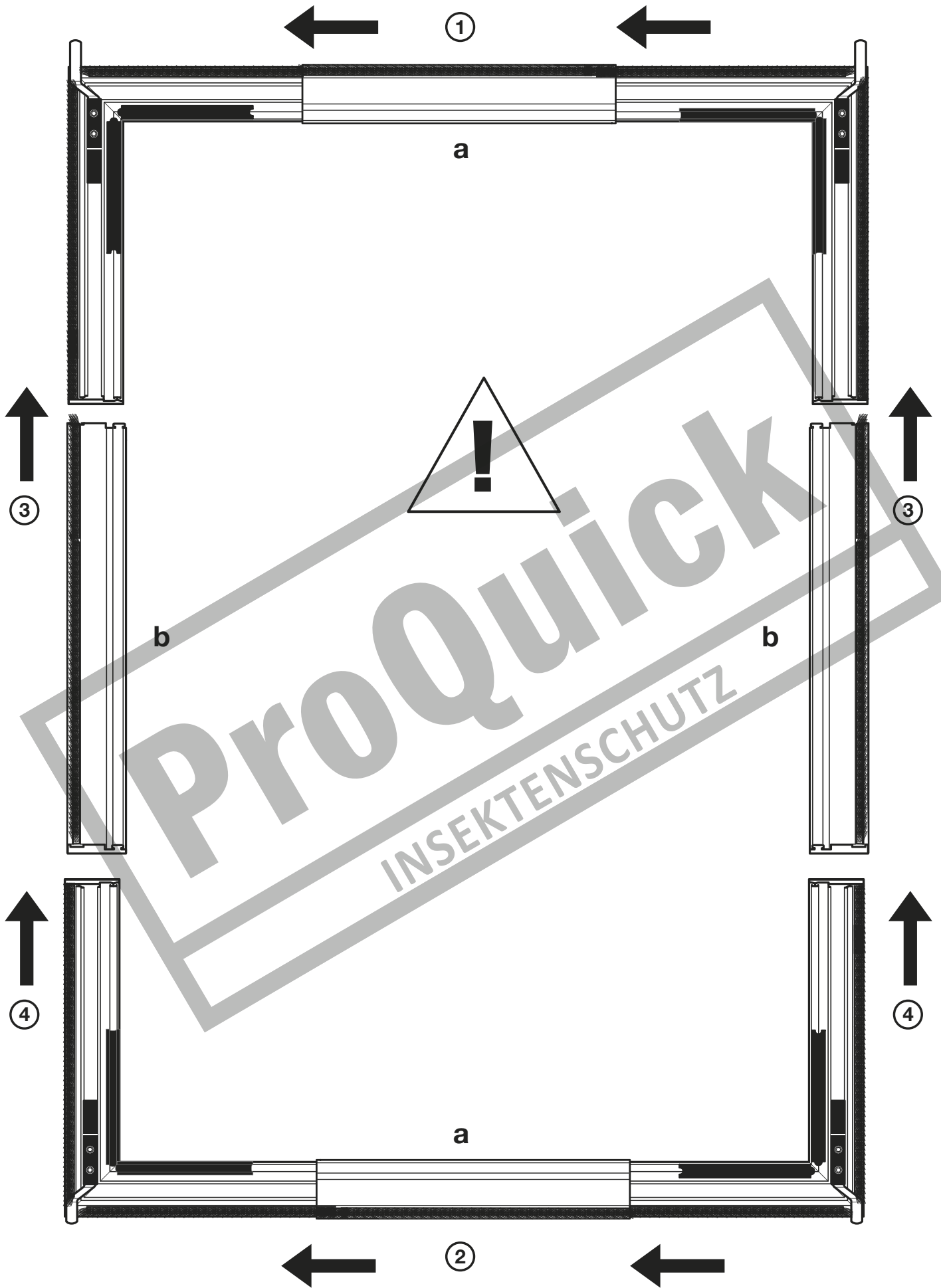
$$B = \frac{X}{2} - 535 = \underline{\hspace{2cm}} \text{ mm}$$



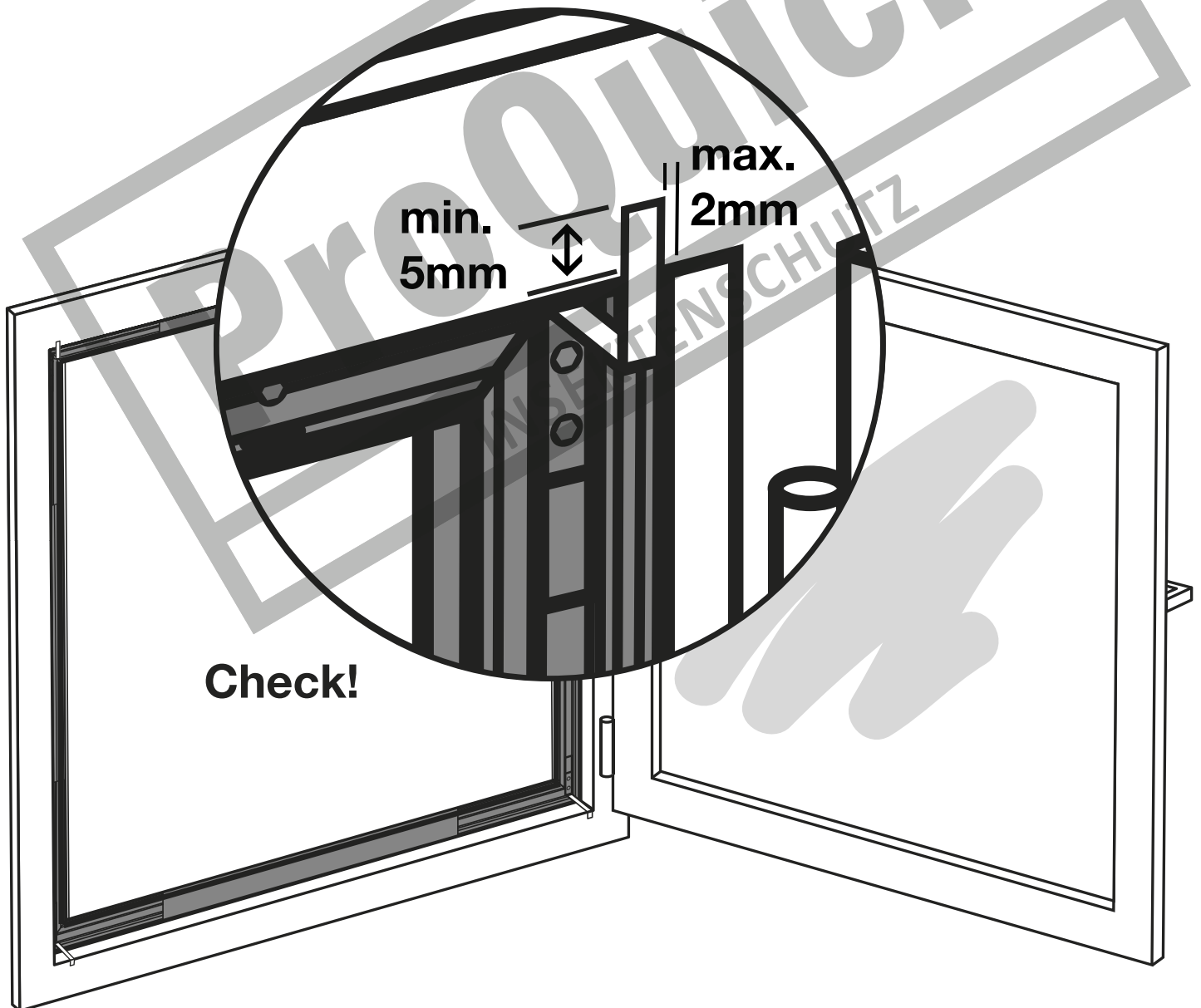
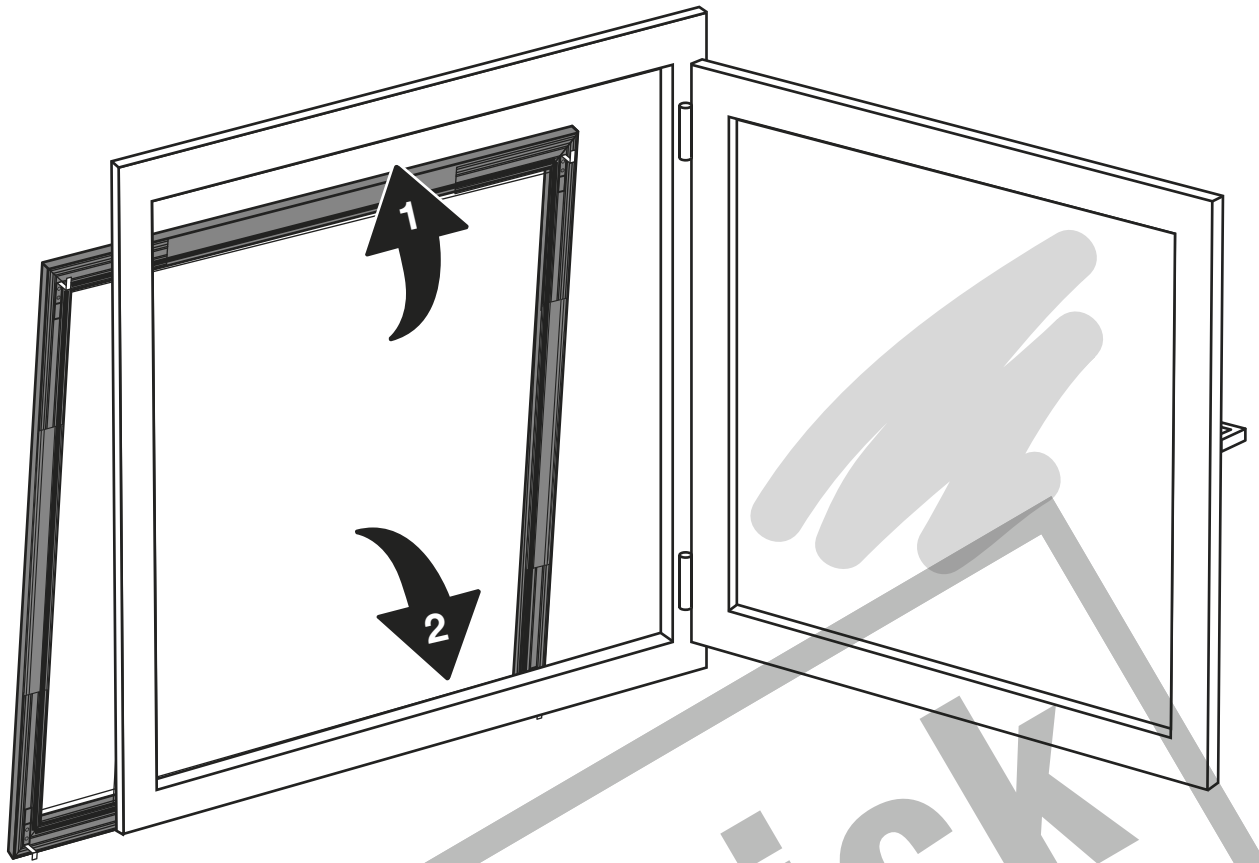
5



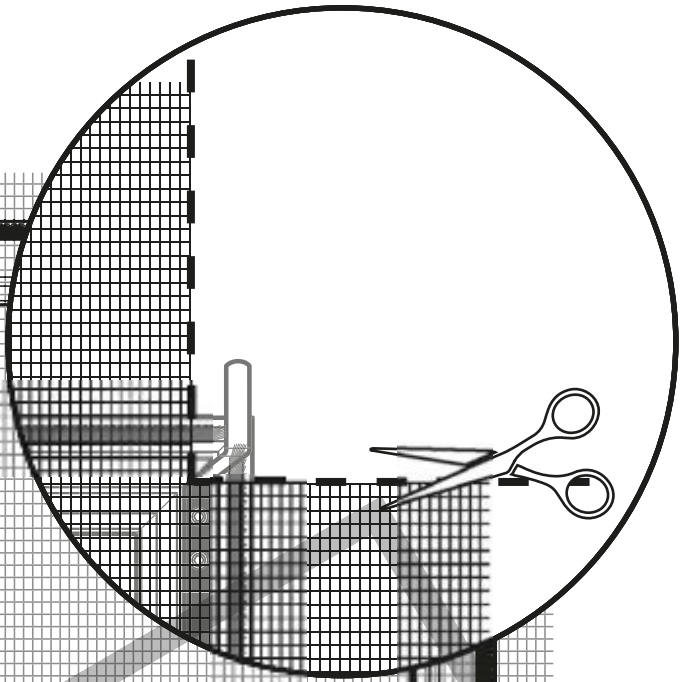
6



7



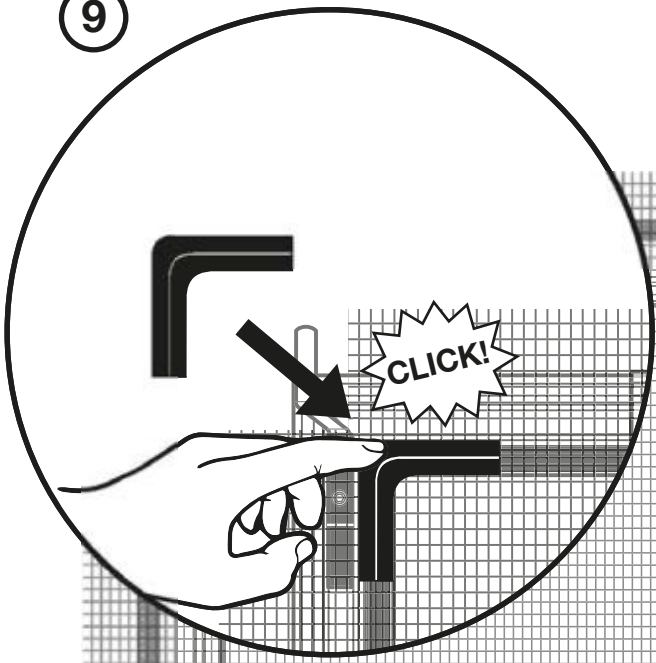
8



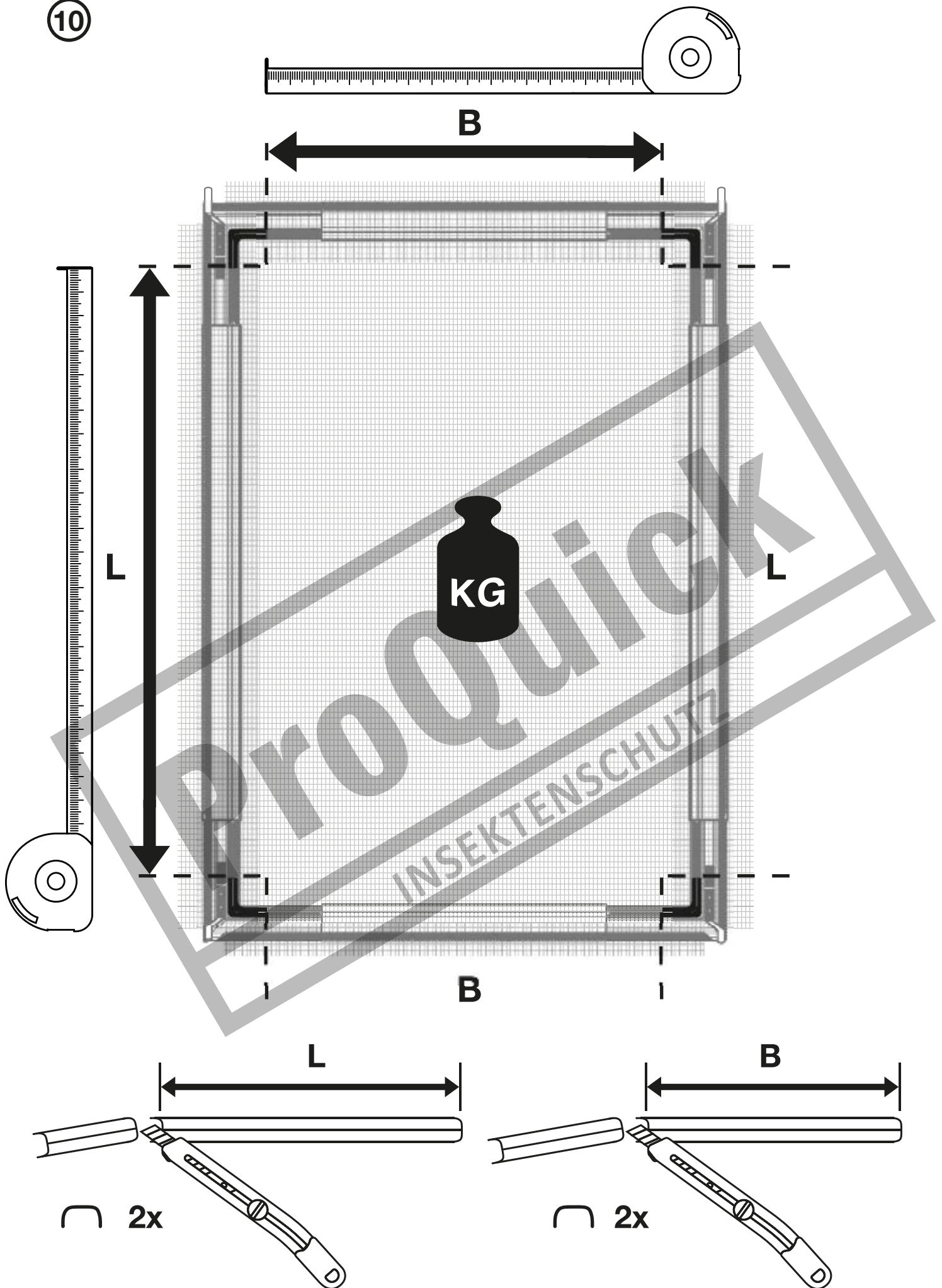
PRODUKT
INSEKTENSCHUTZ



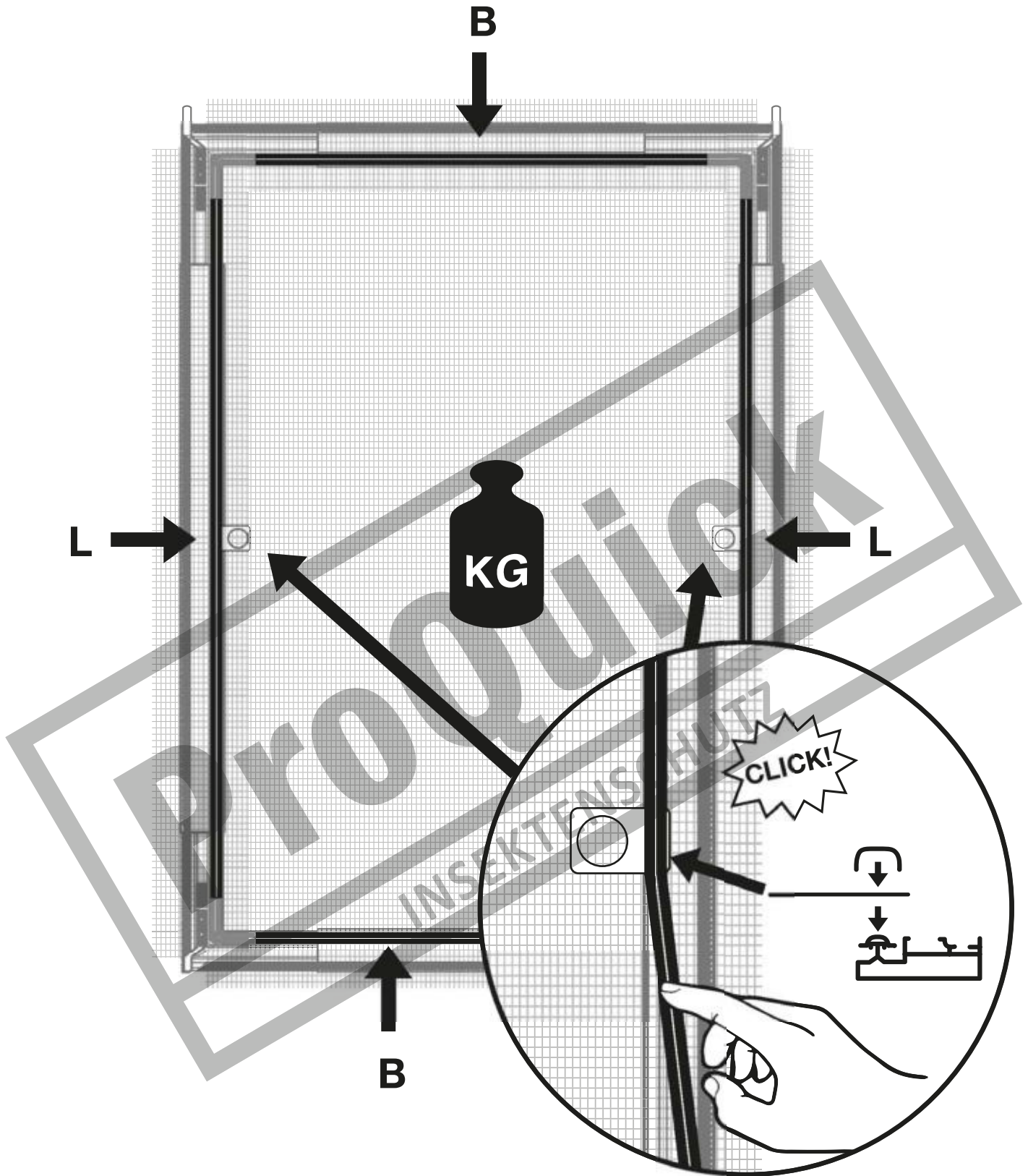
9



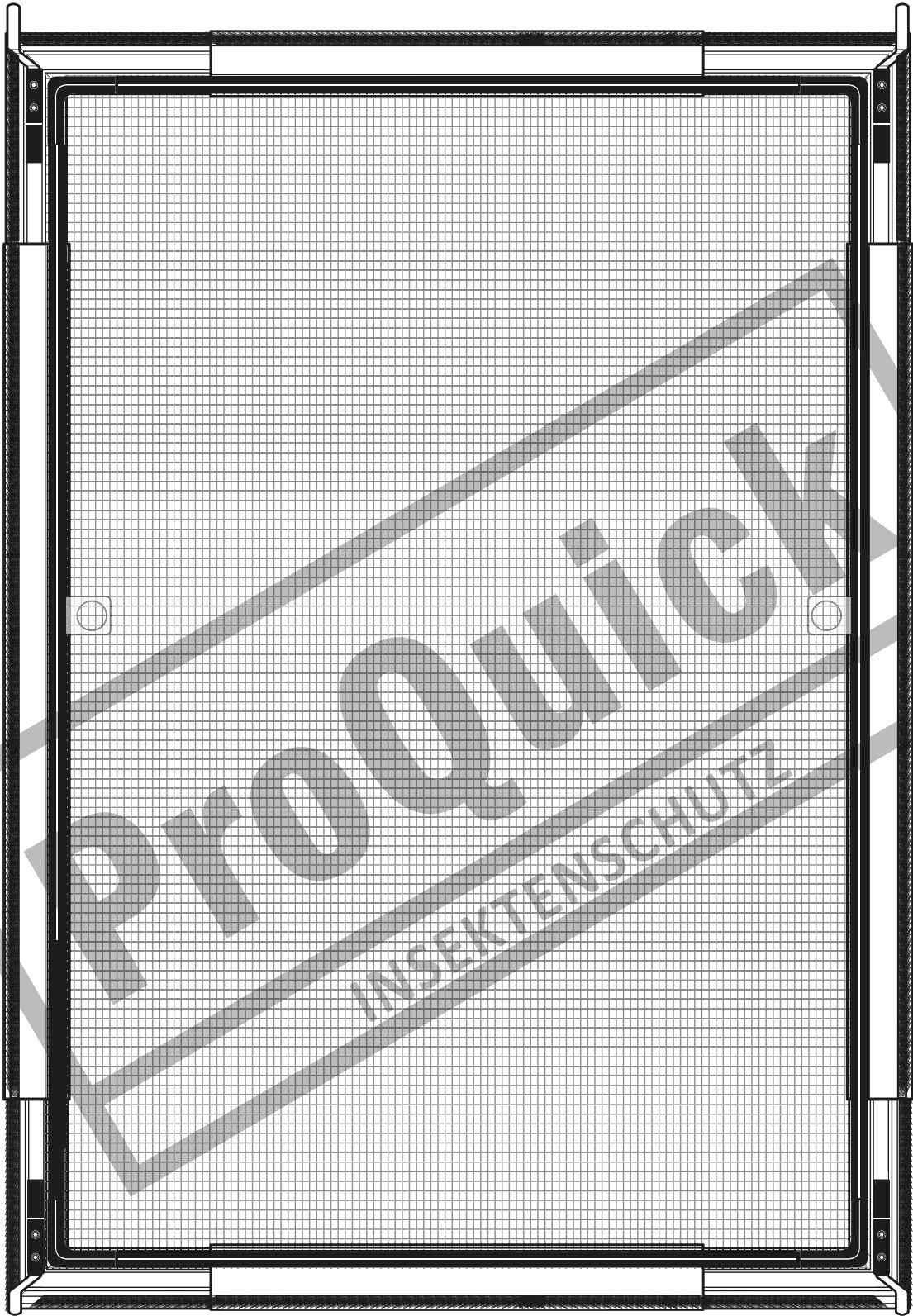
10



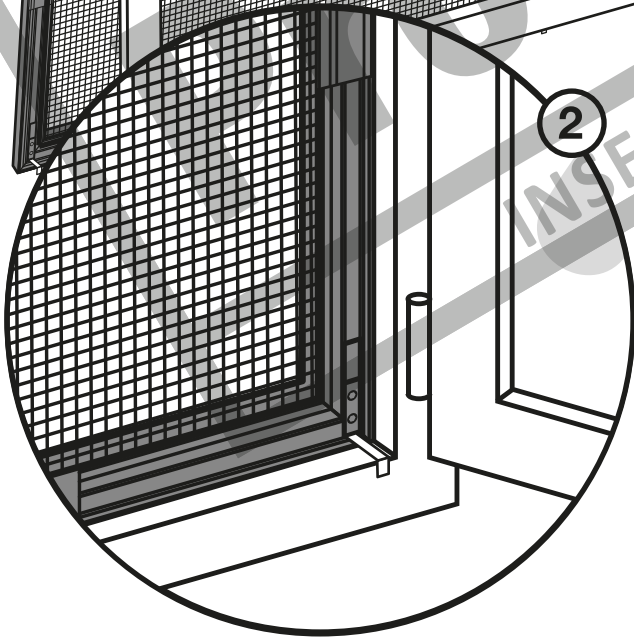
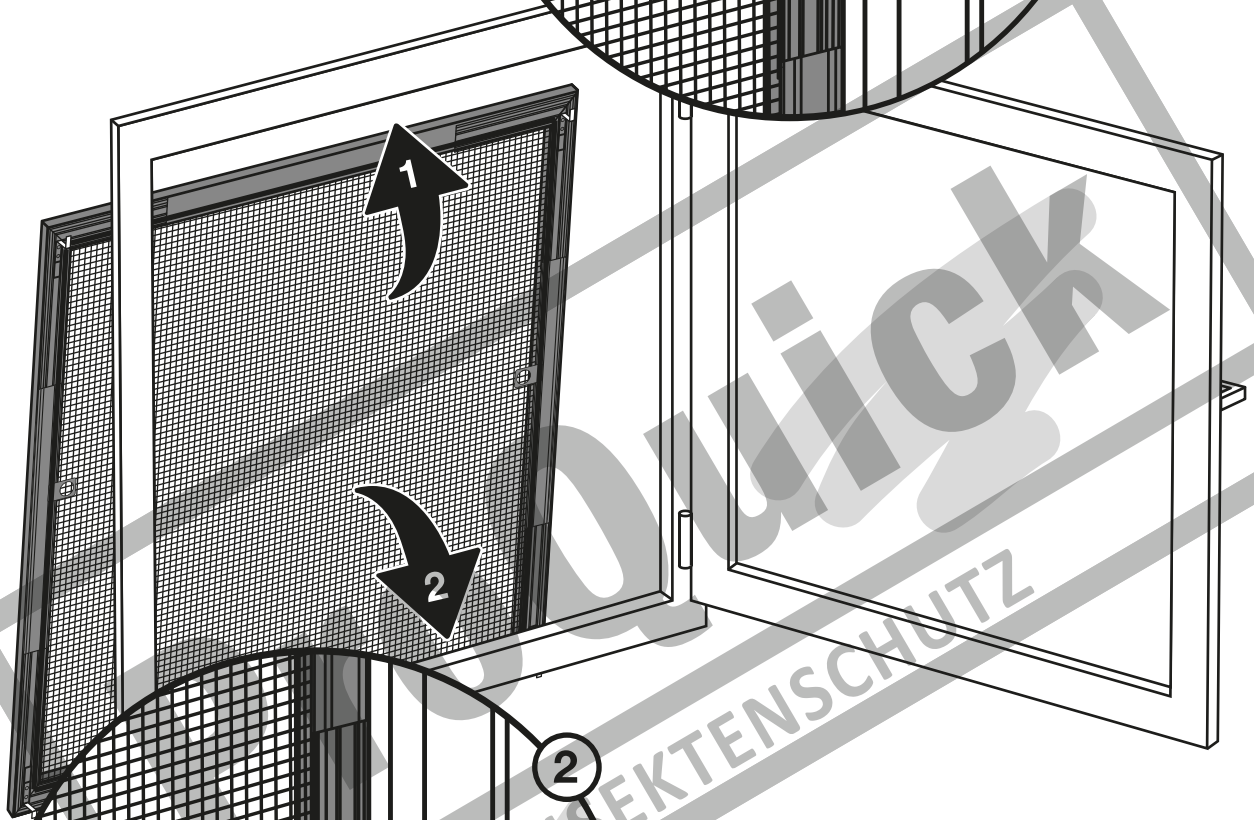
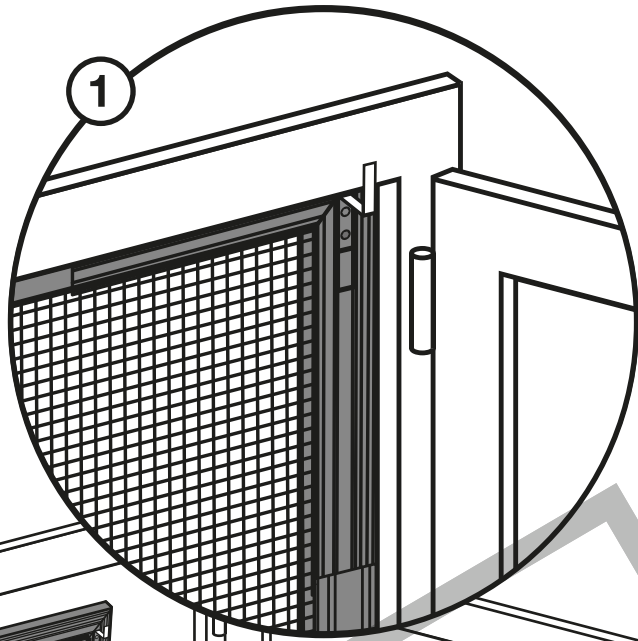
11







13



Quick
INSEKTENSCHUTZ

