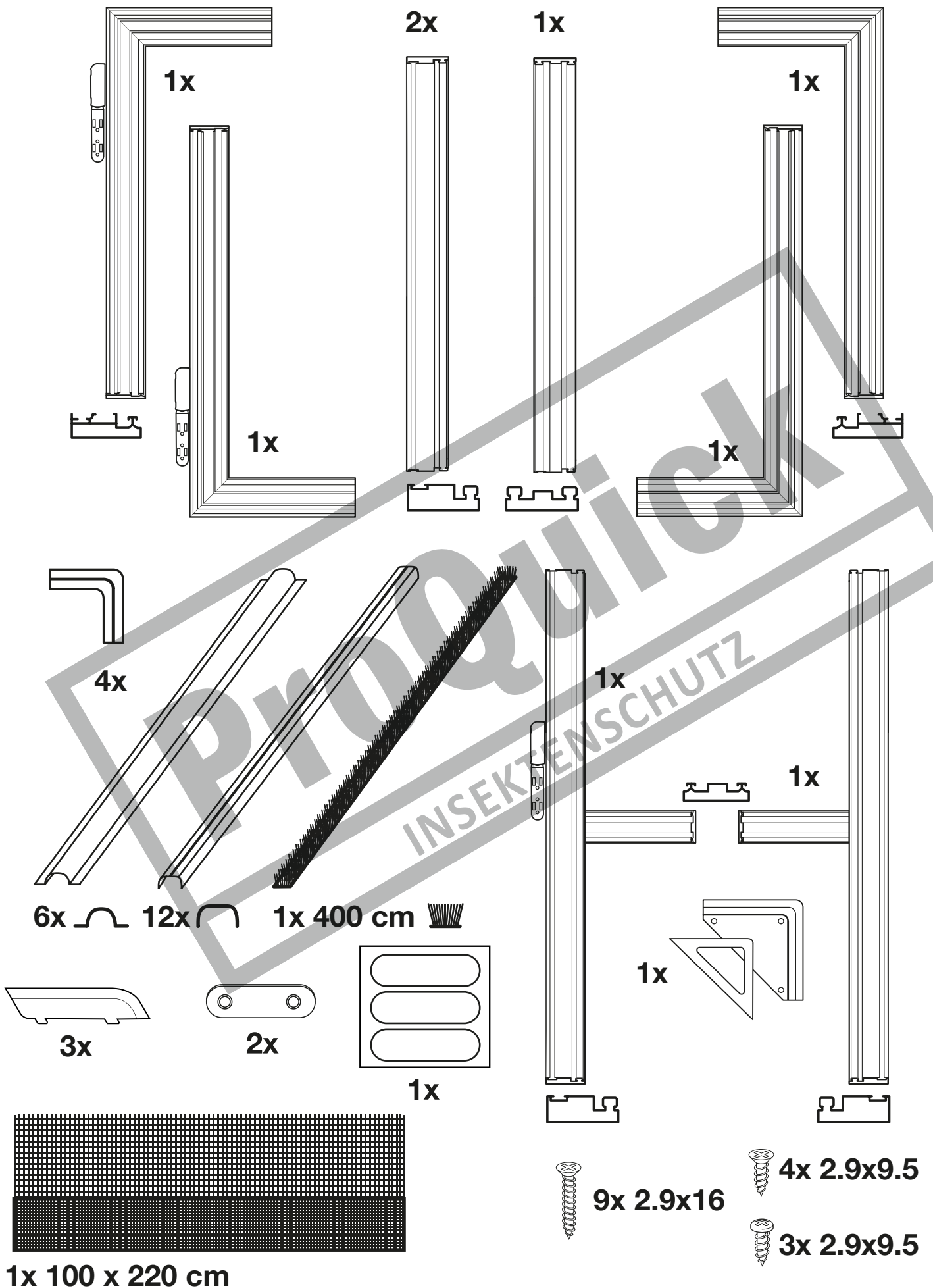
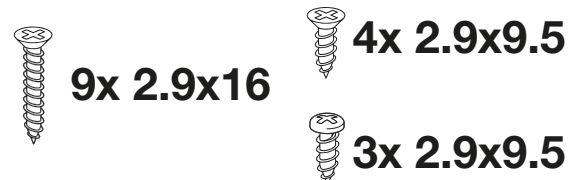
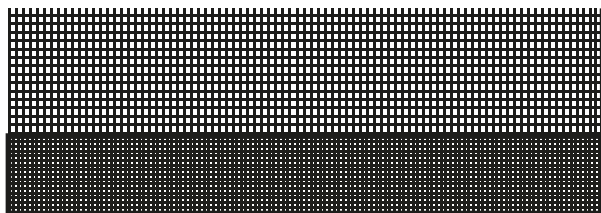
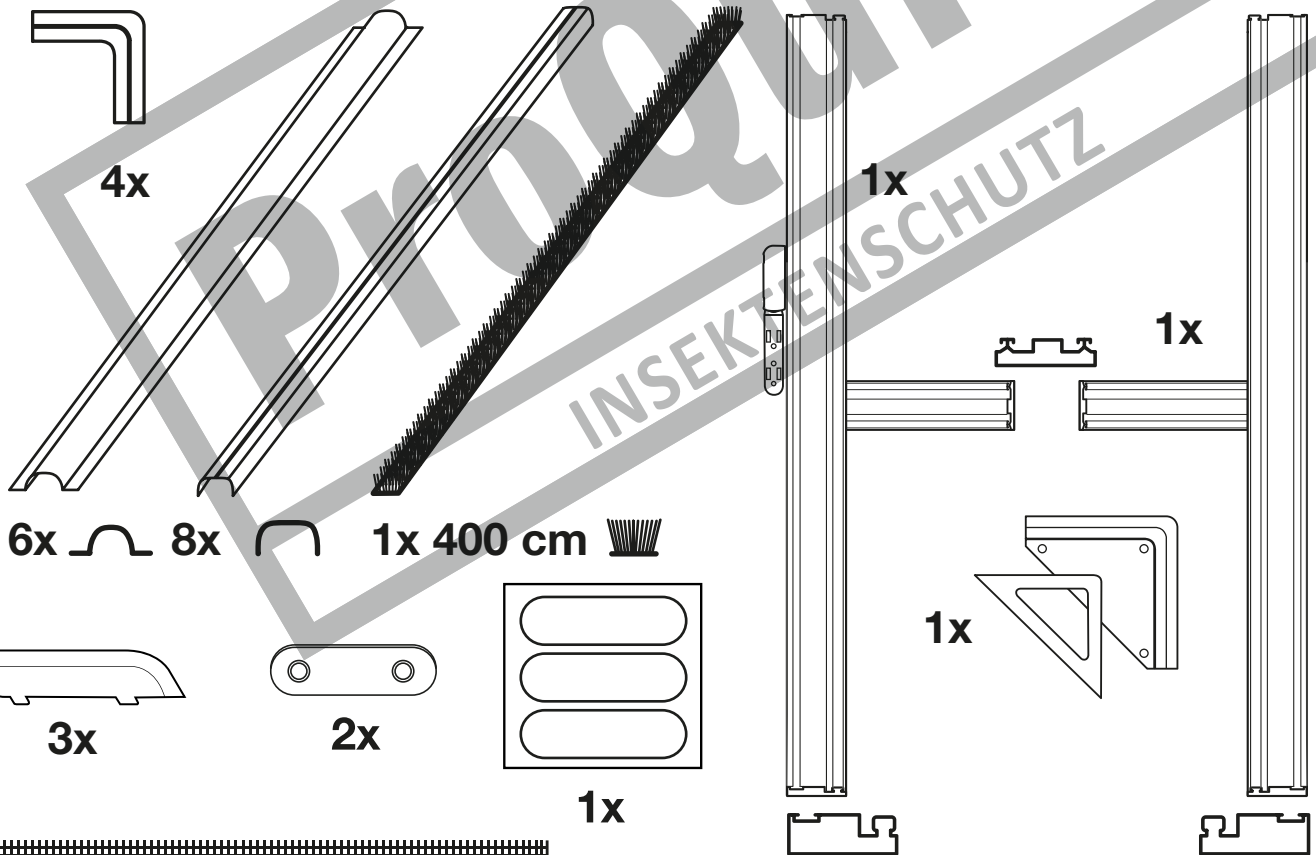
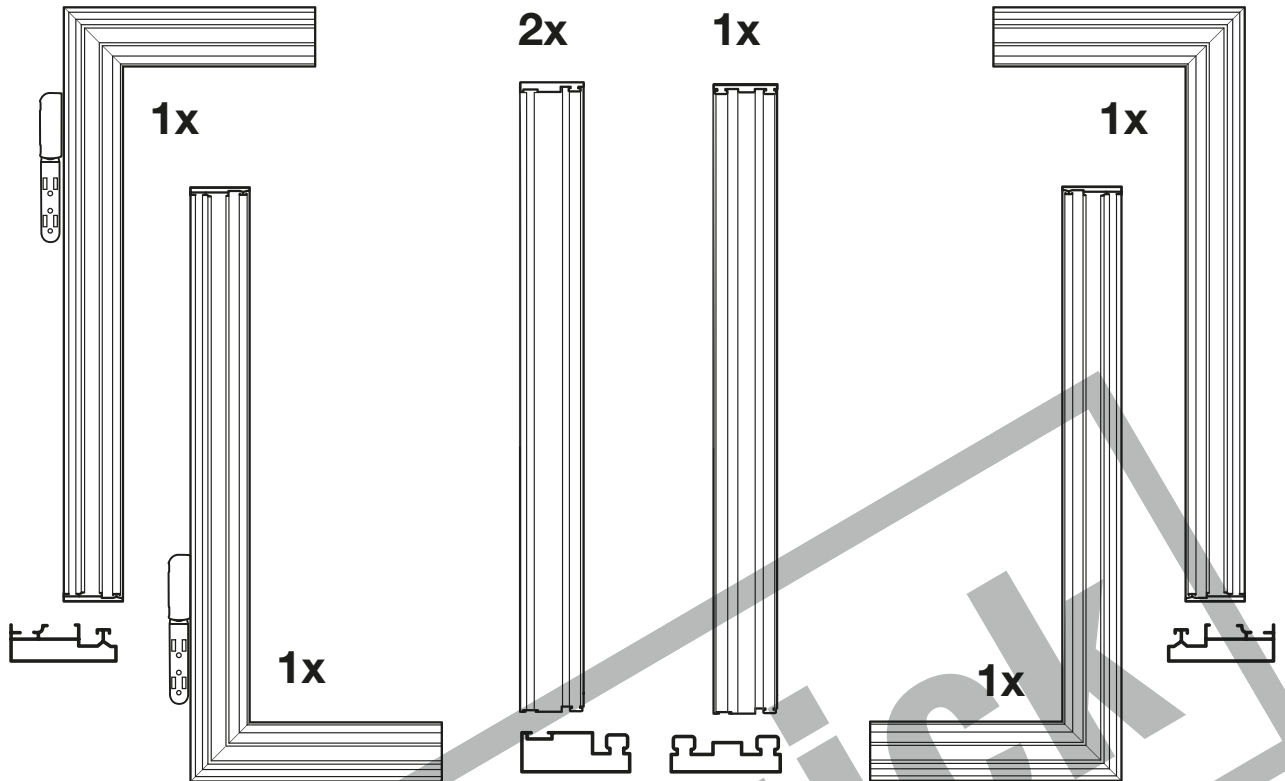


100cm x 220cm / 120cm x 240cm

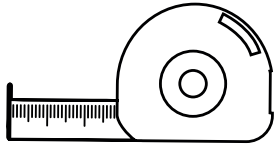
100cm x 220cm



120cm x 240cm

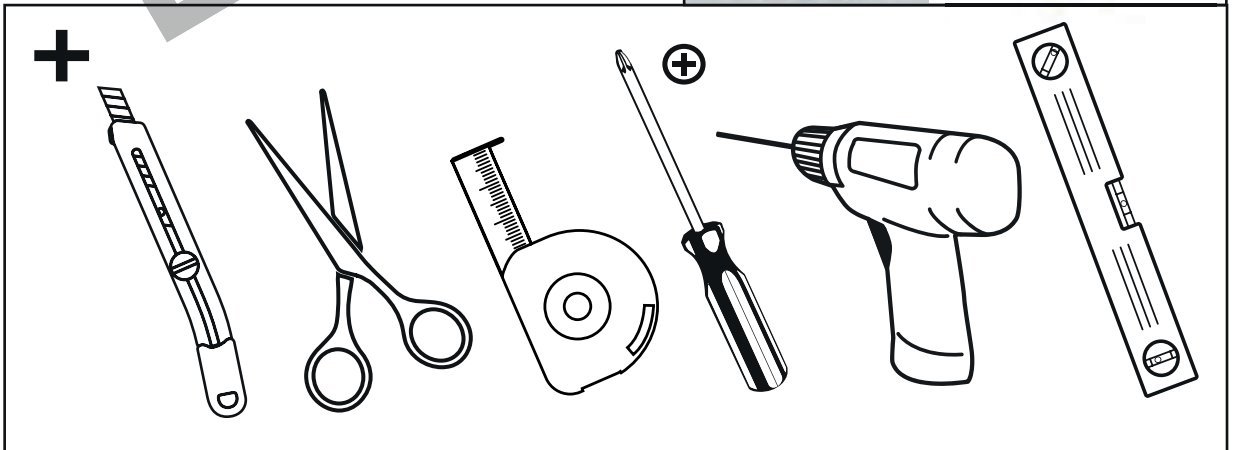
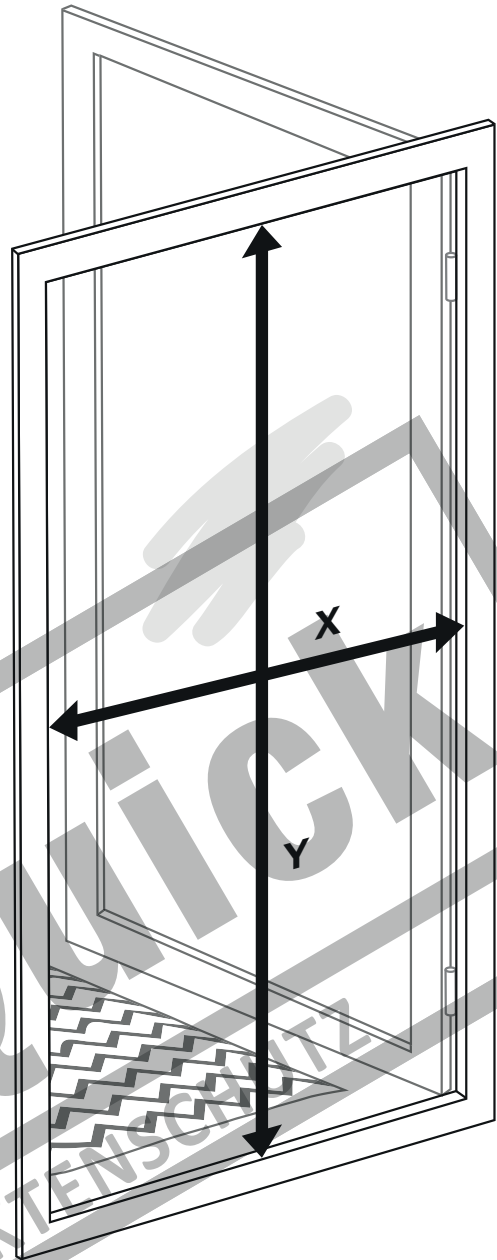


1

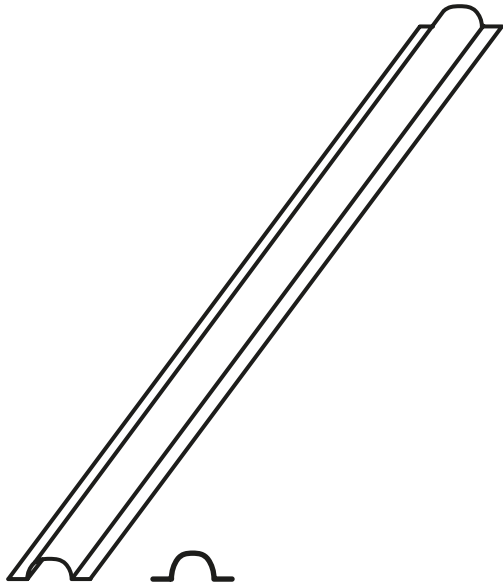


X = _____ mm

Y = _____ mm



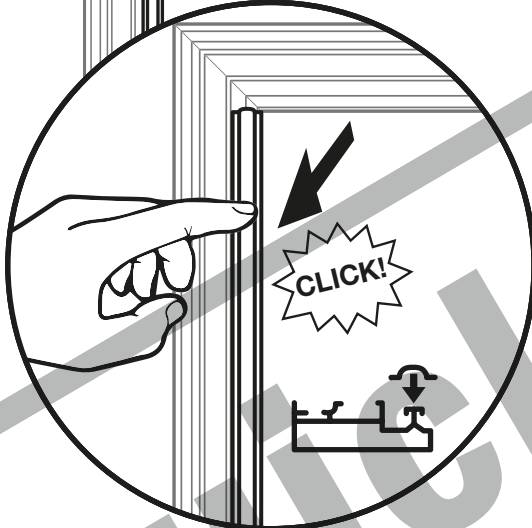
2



100 x 220

Y = _____ mm

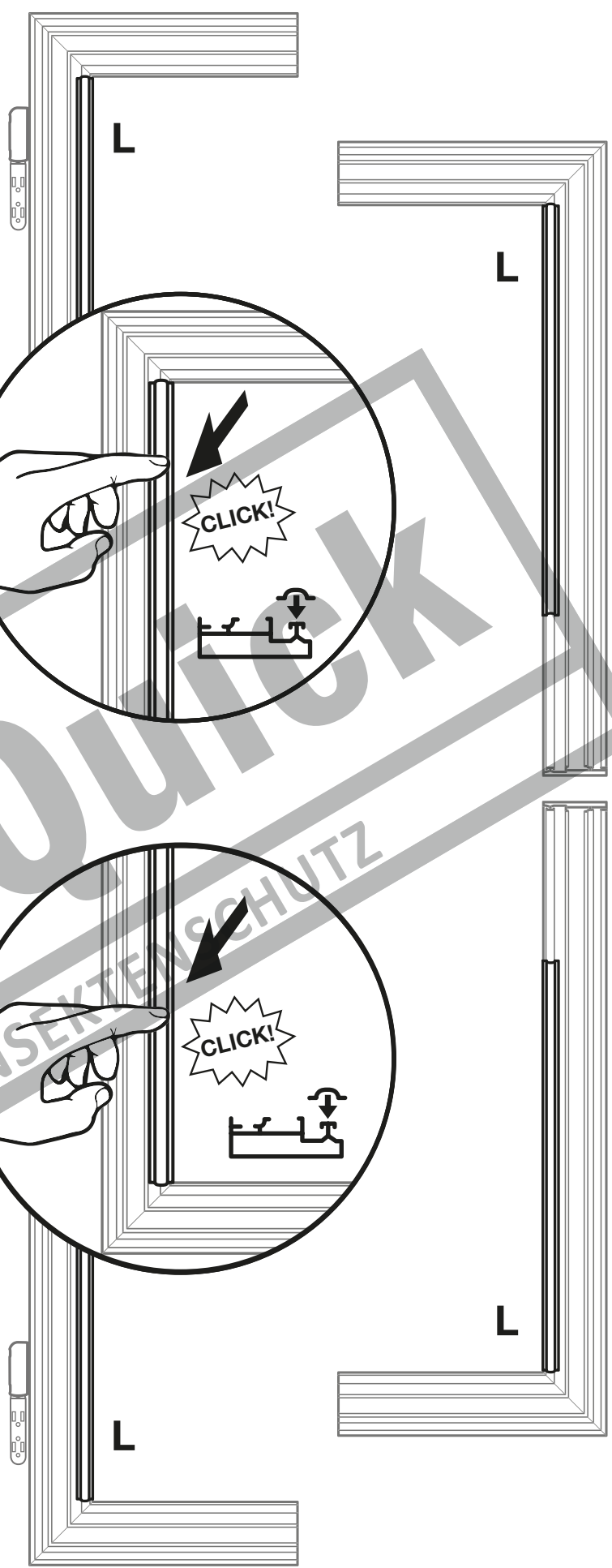
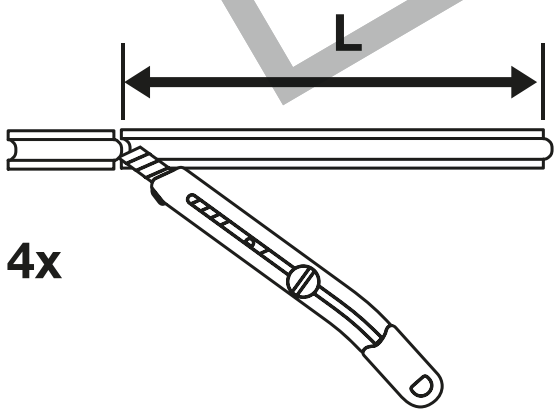
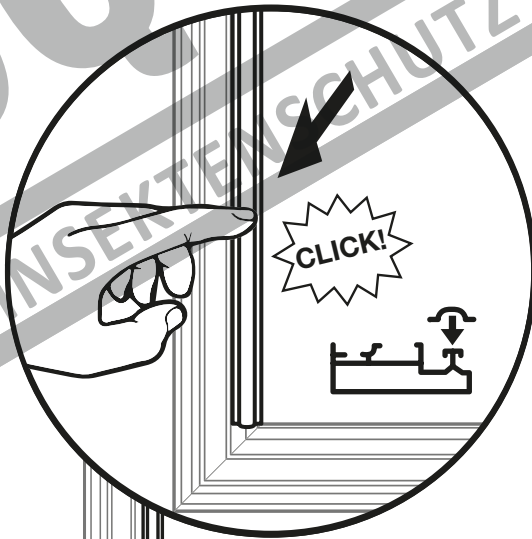
$L = \frac{Y}{2} - 480 =$ _____ mm



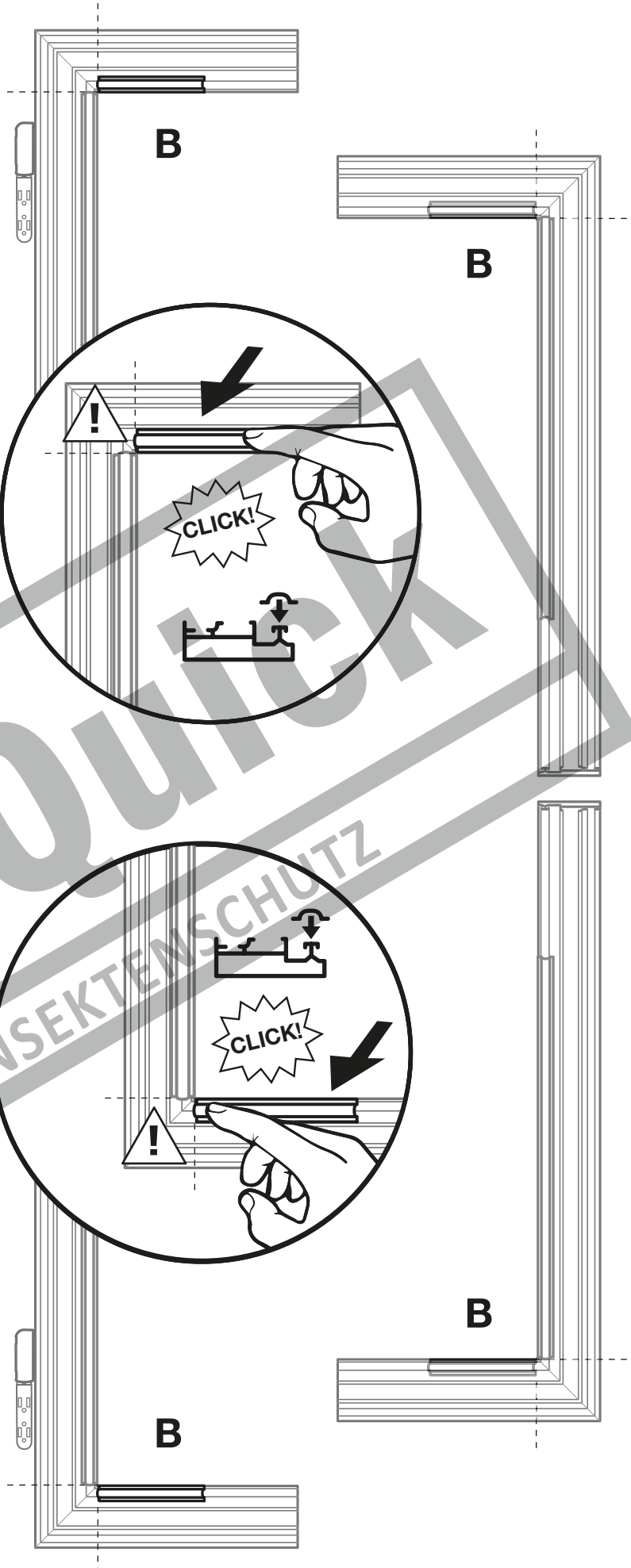
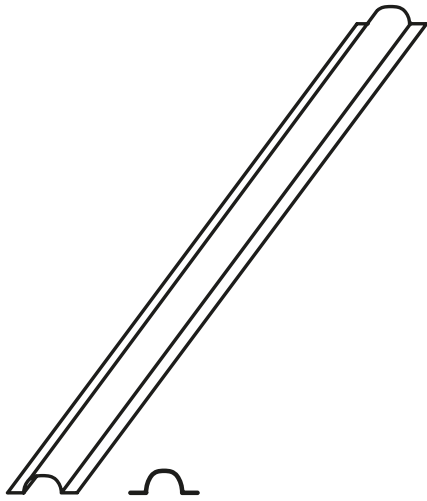
120 x 240

Y = _____ mm

$L = \frac{Y}{2} - 580 =$ _____ mm



3



100 x 220

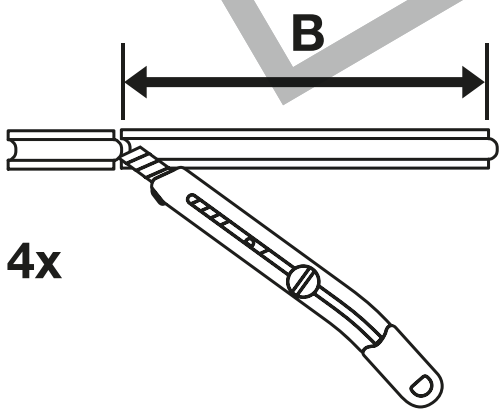
X = _____ mm

B = $\frac{X}{2} - 360 =$ _____ mm

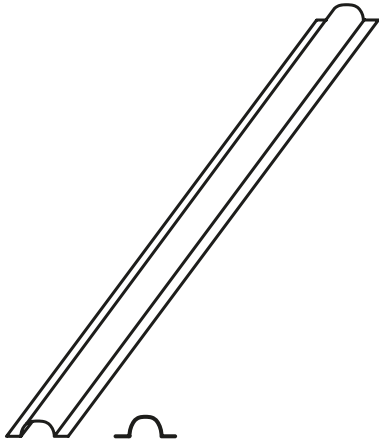
120 x 240

X = _____ mm

B = $\frac{X}{2} - 460 =$ _____ mm



4



100 x 220

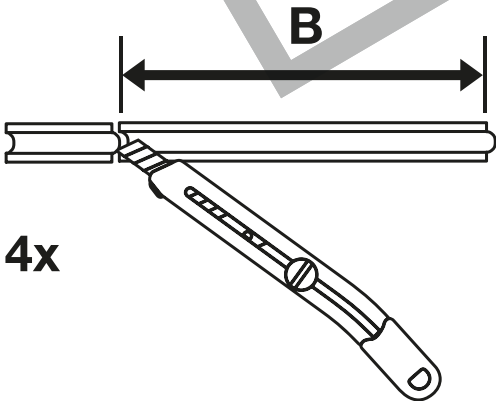
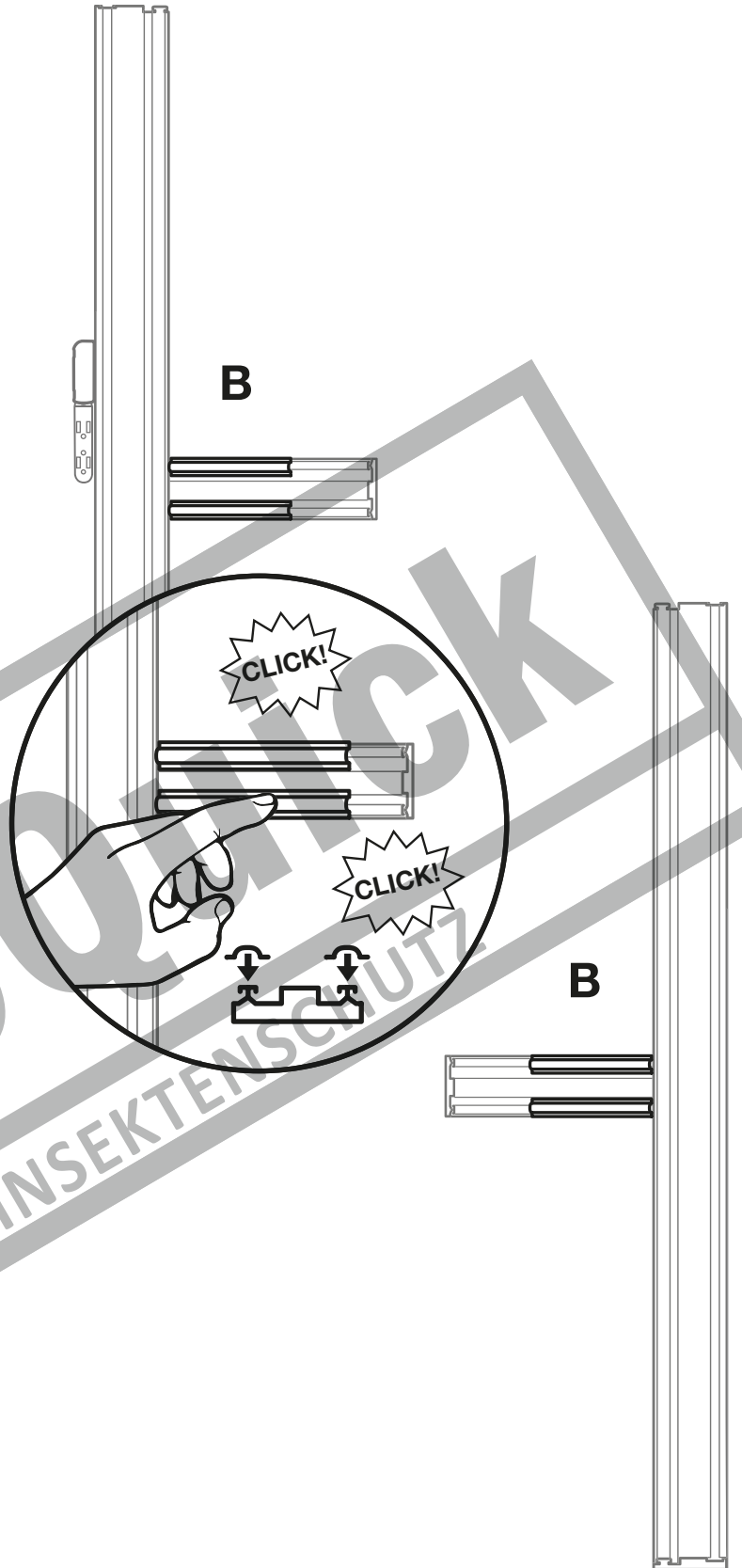
$X = \underline{\hspace{2cm}} \text{ mm}$

$B = \frac{X}{2} - 360 = \underline{\hspace{2cm}} \text{ mm}$

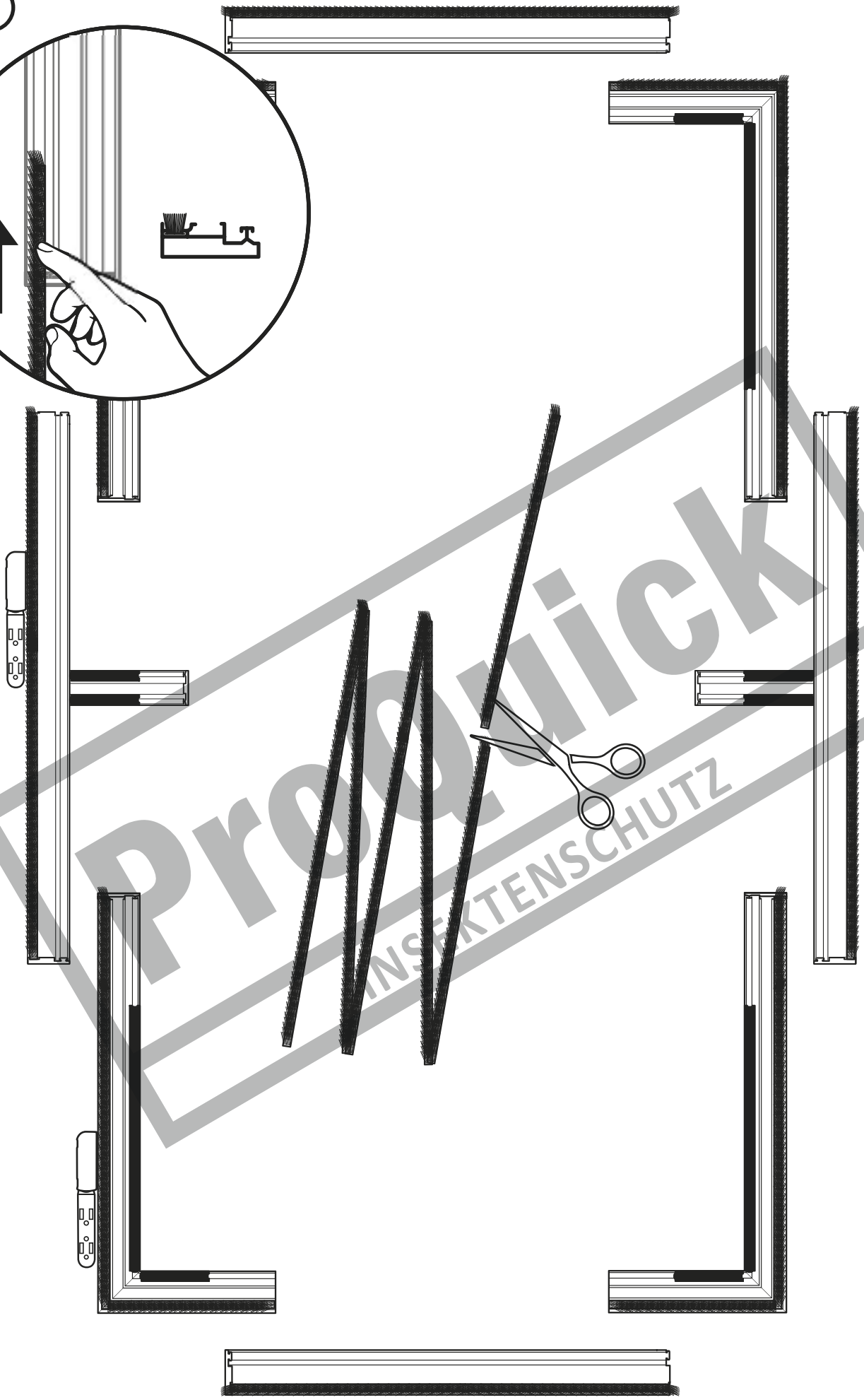
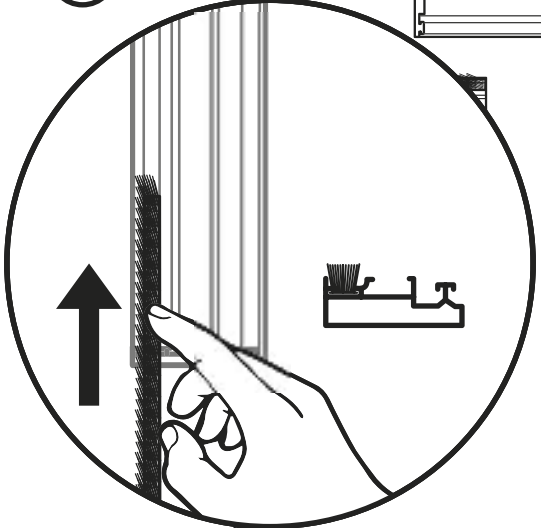
120 x 240

$X = \underline{\hspace{2cm}} \text{ mm}$

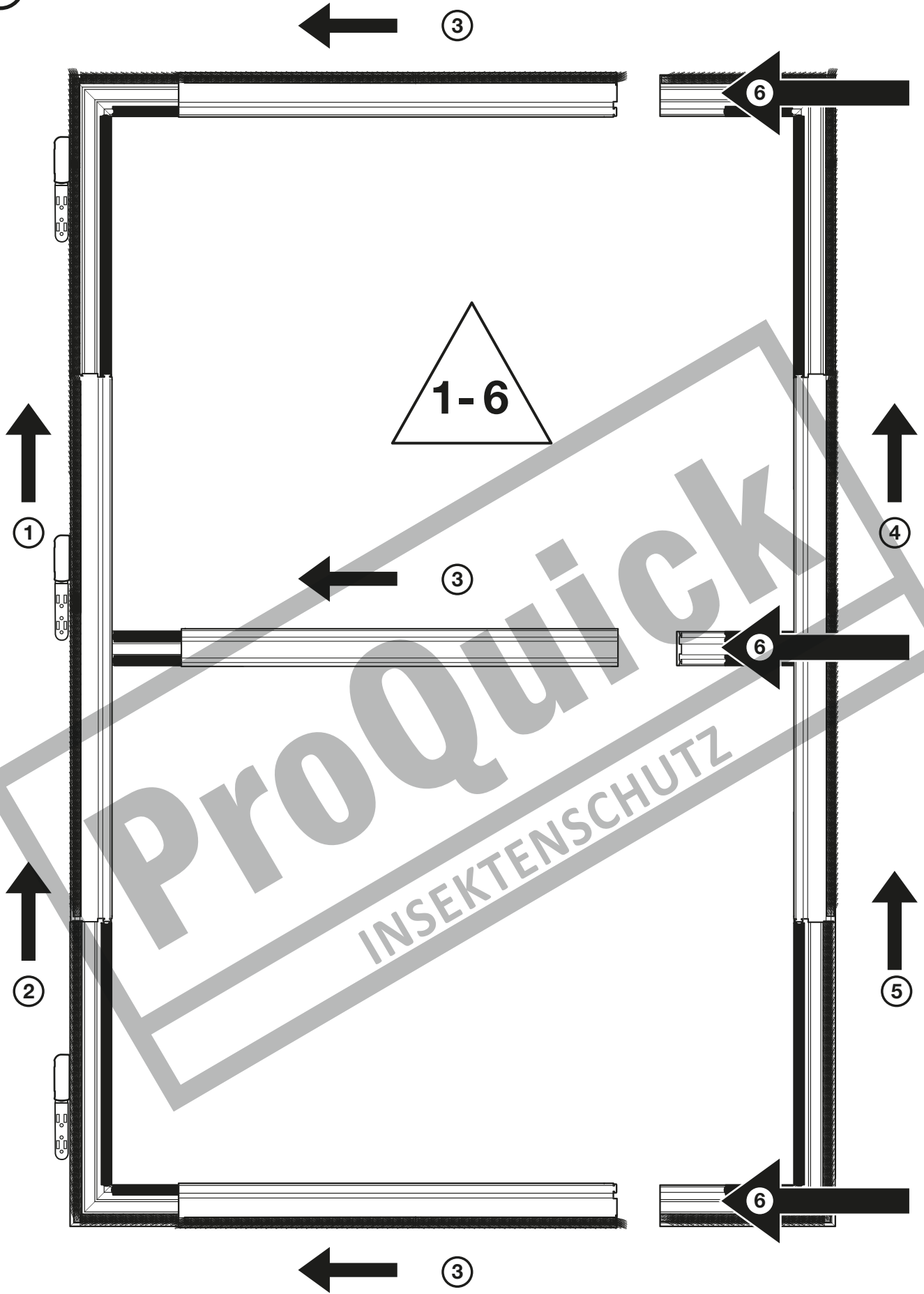
$B = \frac{X}{2} - 460 = \underline{\hspace{2cm}} \text{ mm}$



5

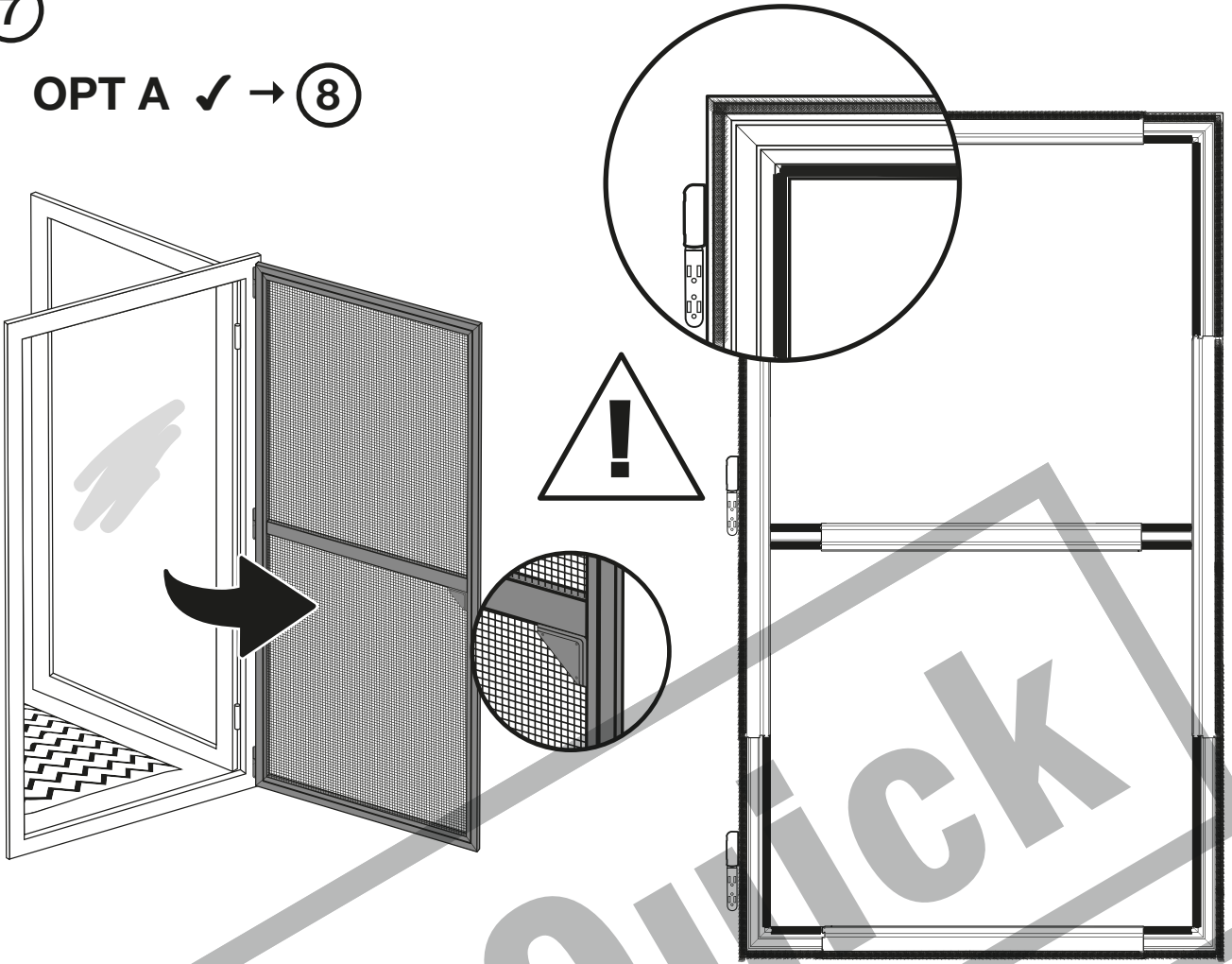


6

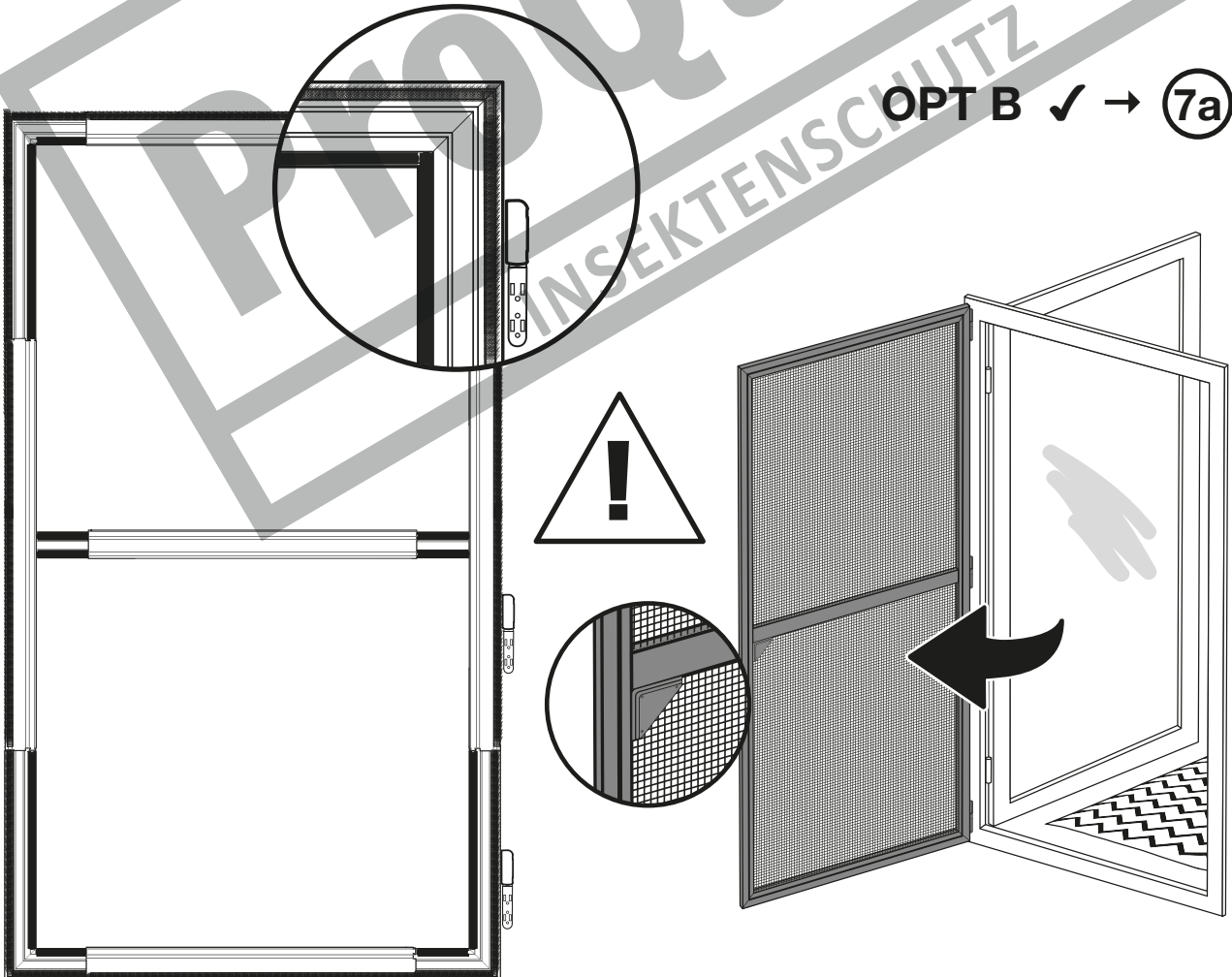


7

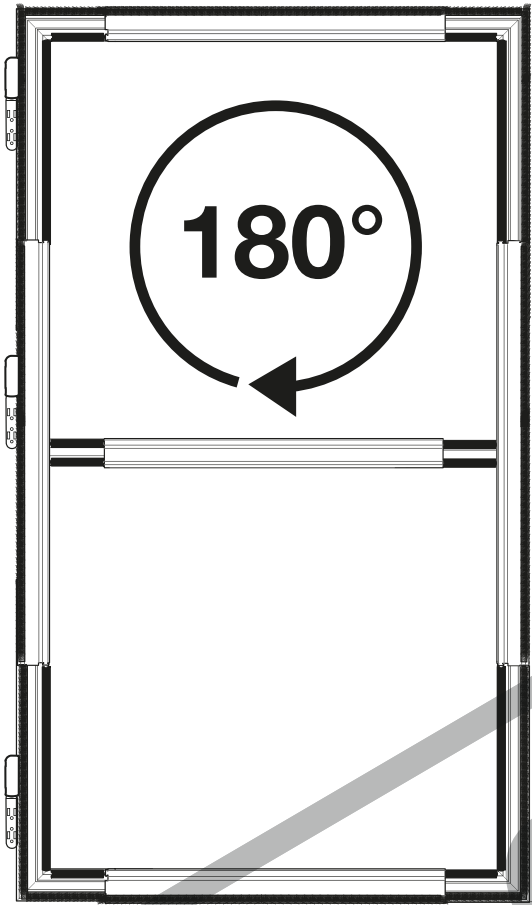
OPT A ✓ → 8



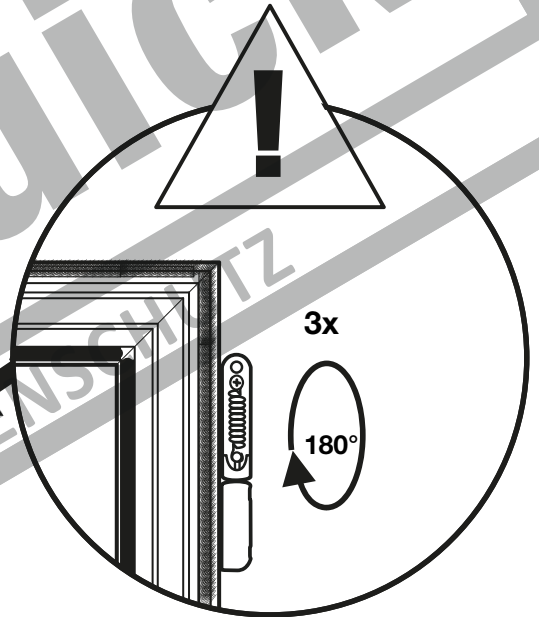
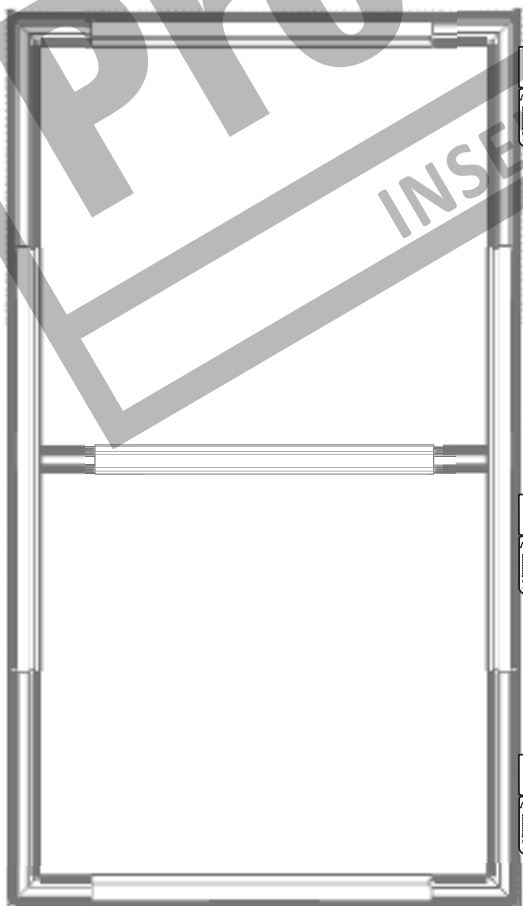
OPT B ✓ → 7a



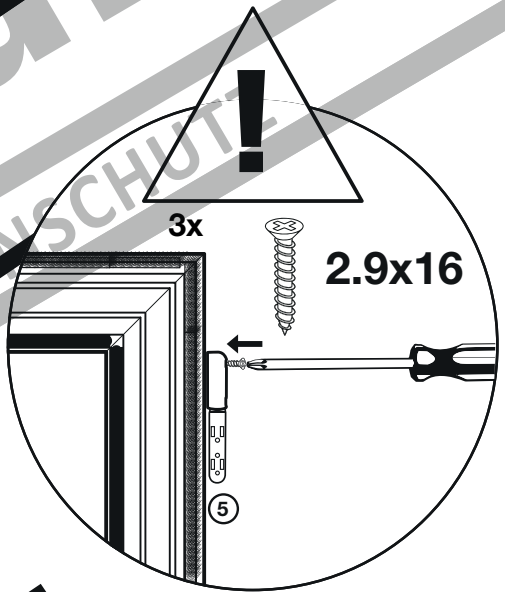
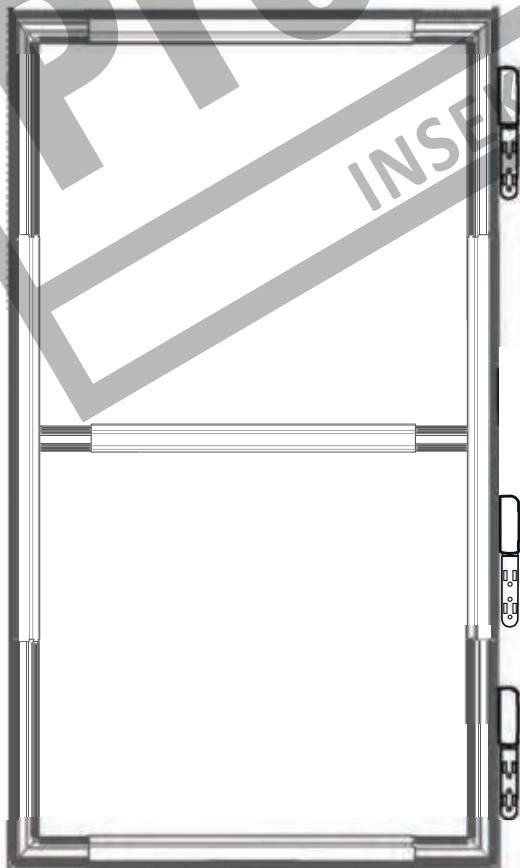
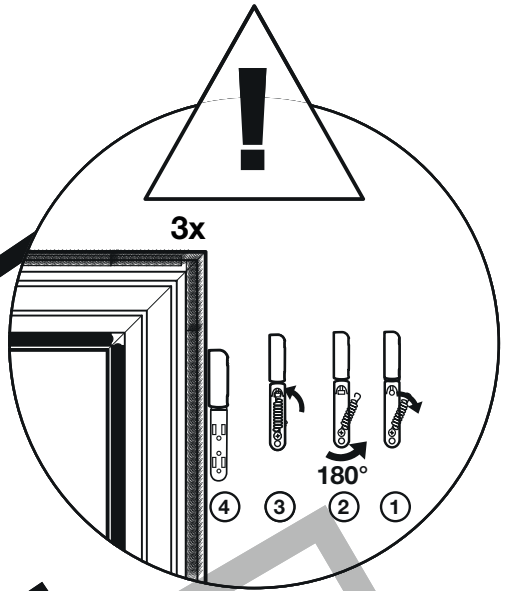
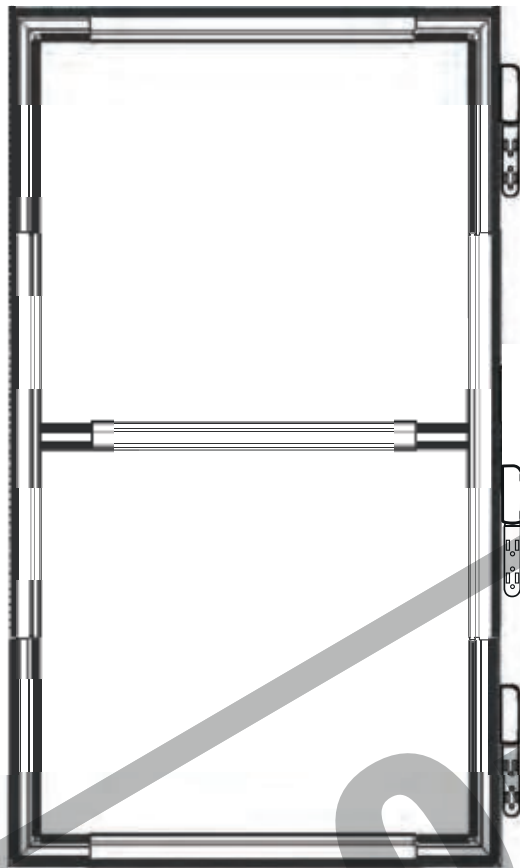
7a



7b

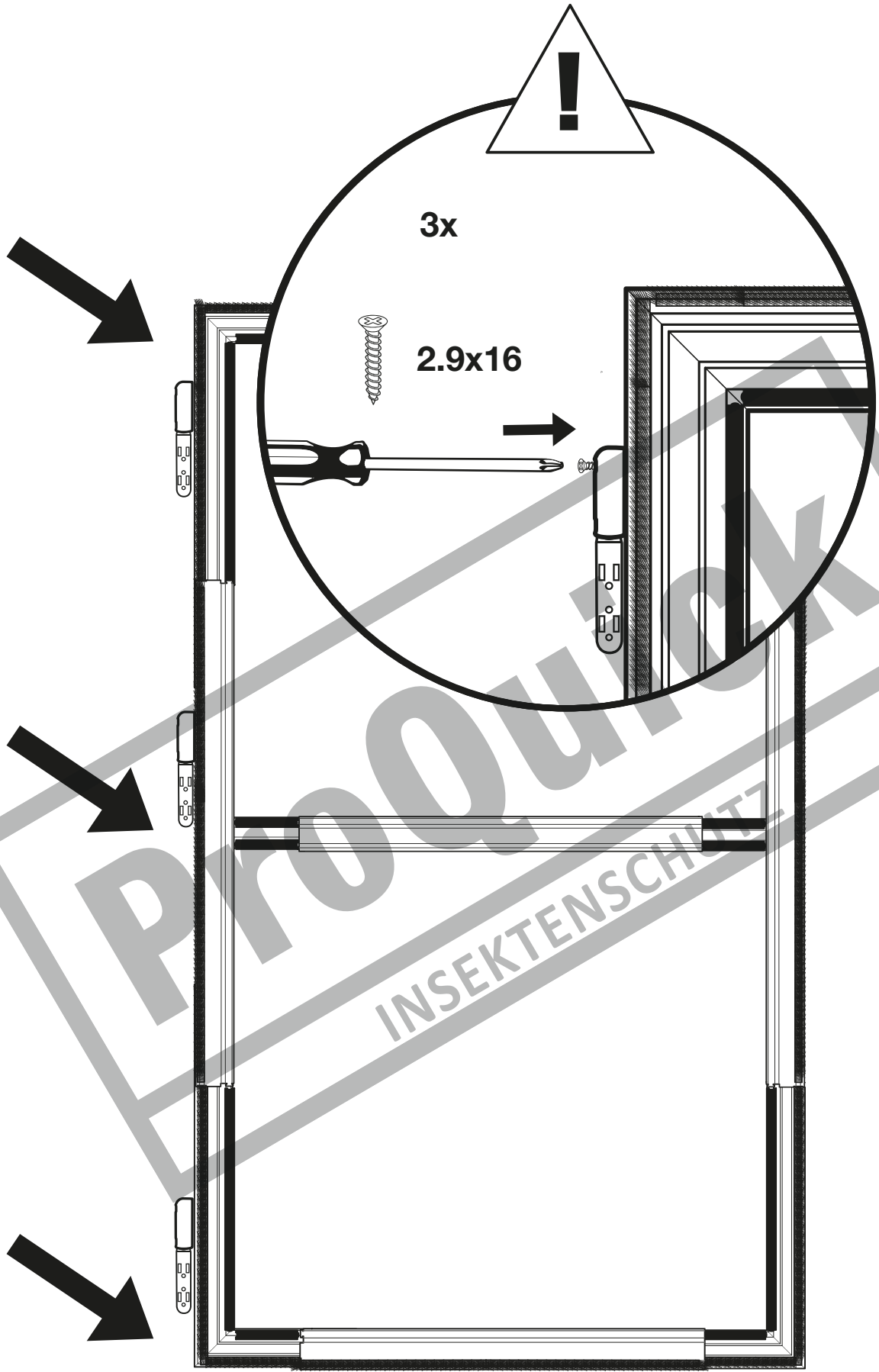


7c



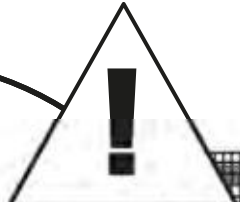
9

8

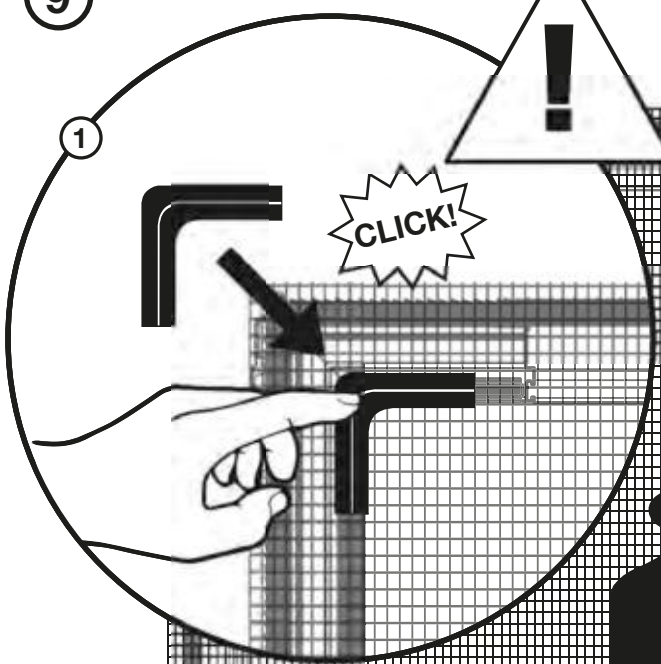


9

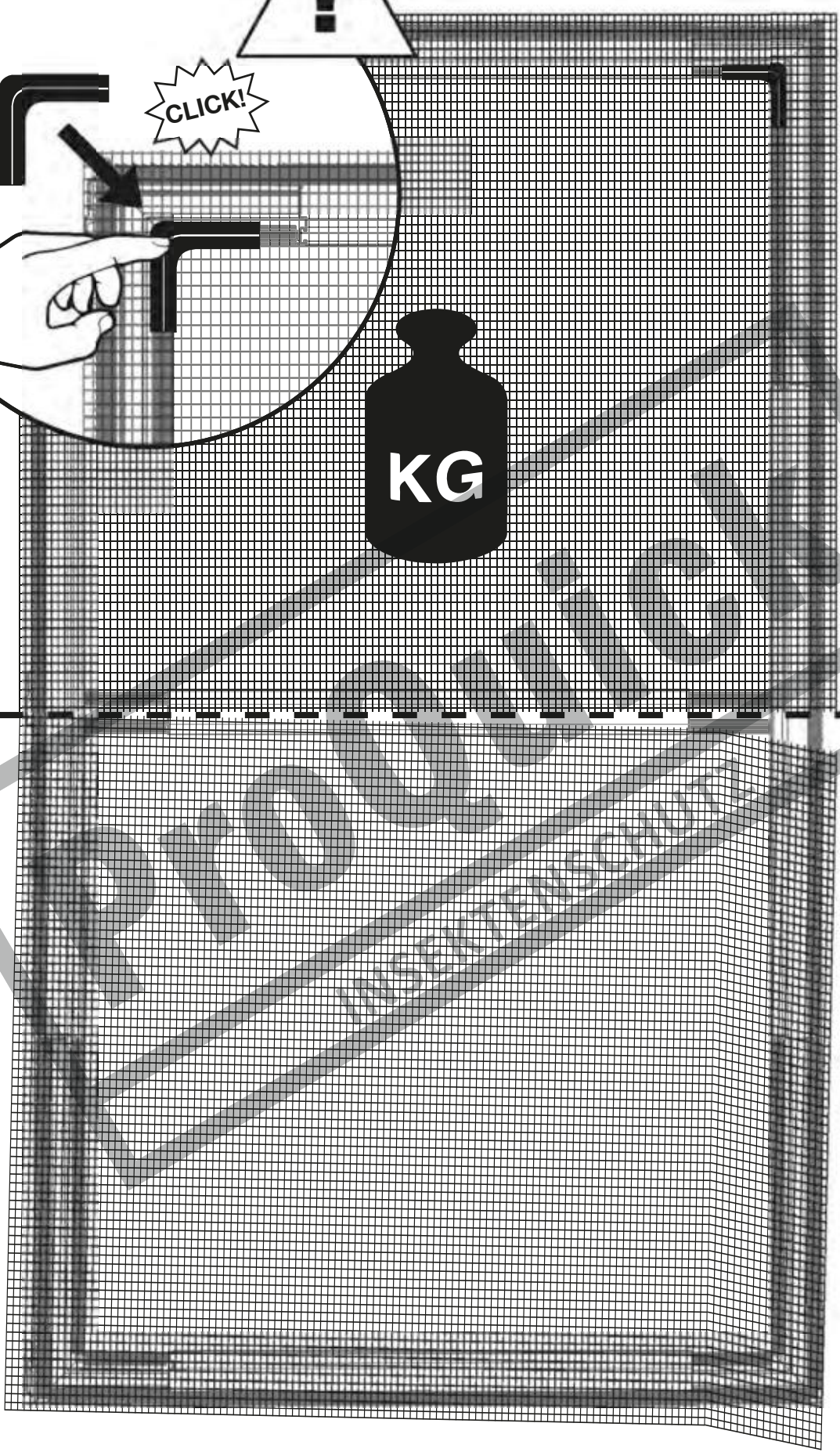
1



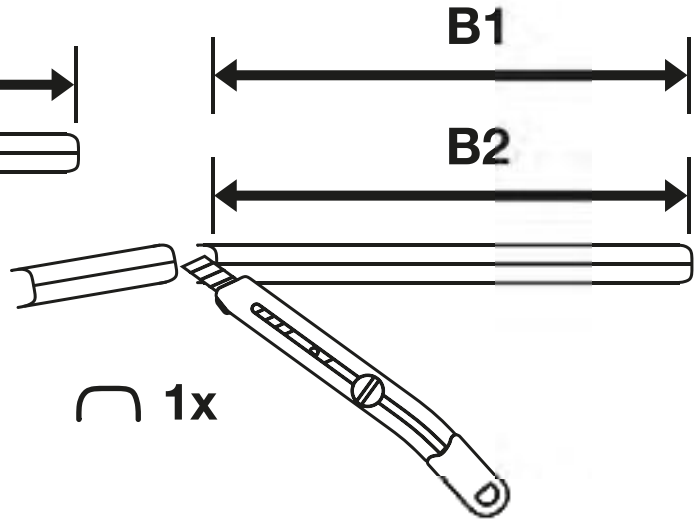
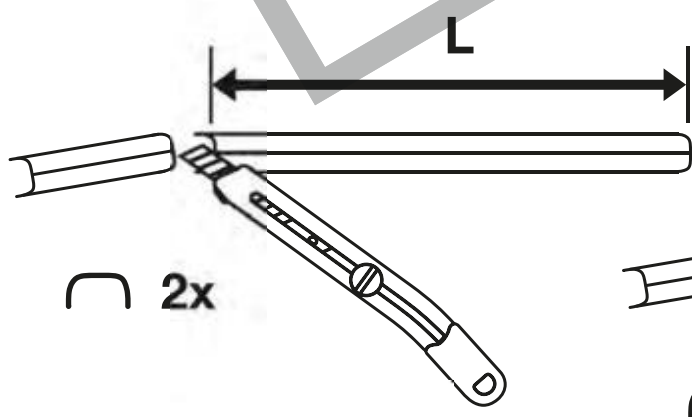
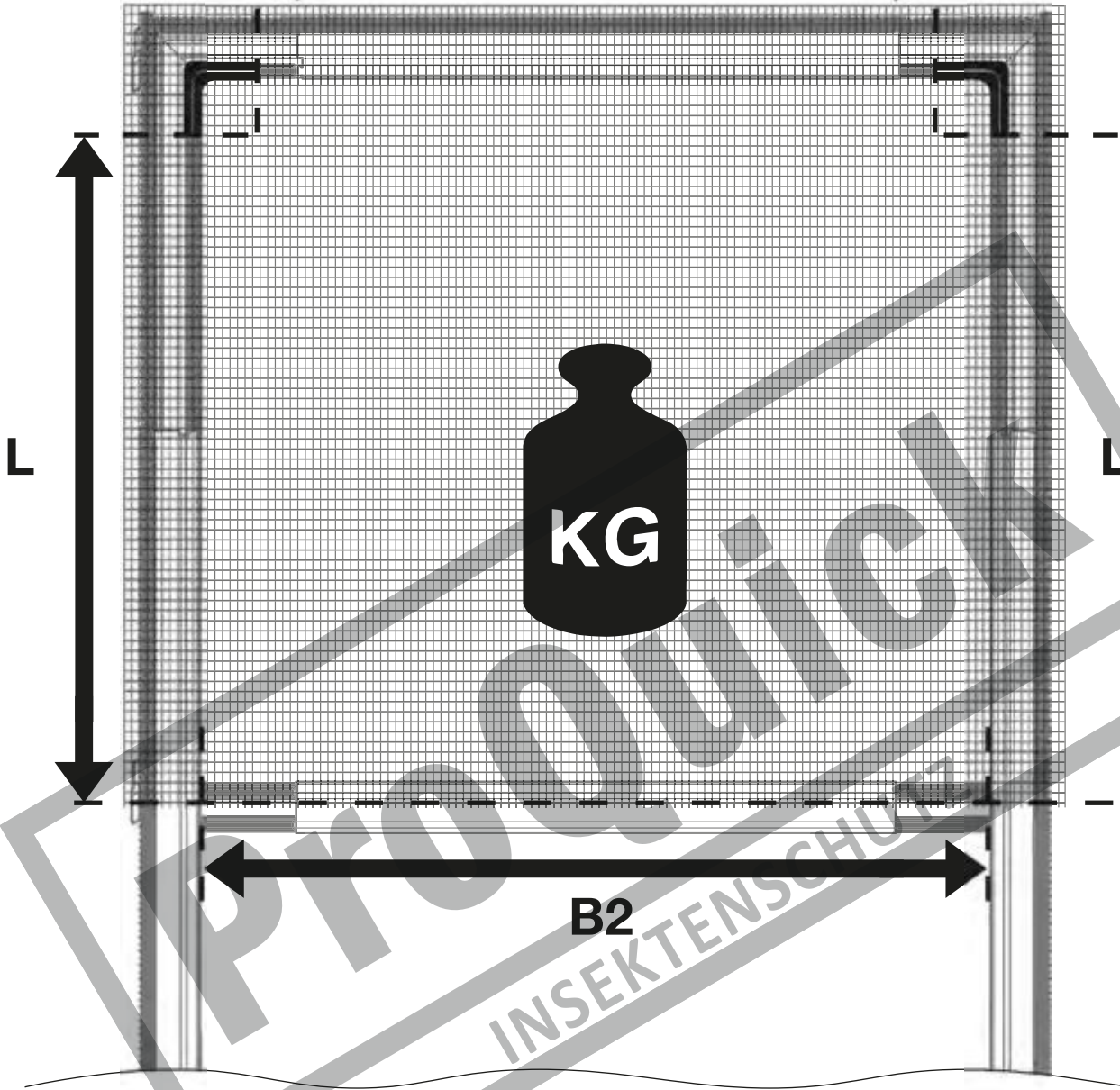
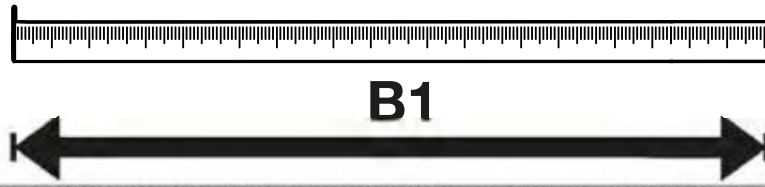
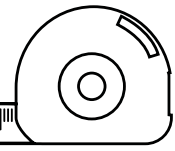
CLICK!



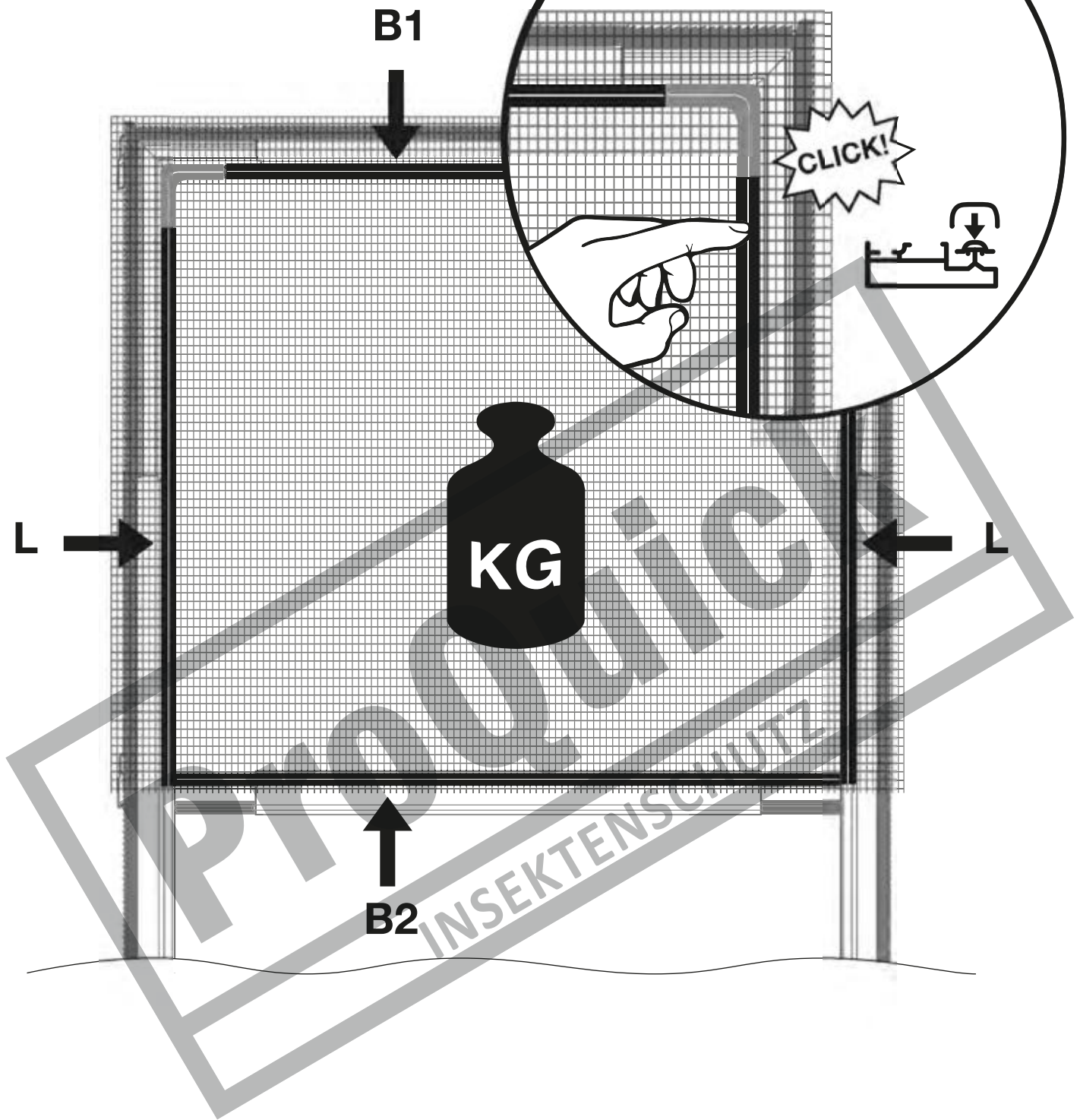
2

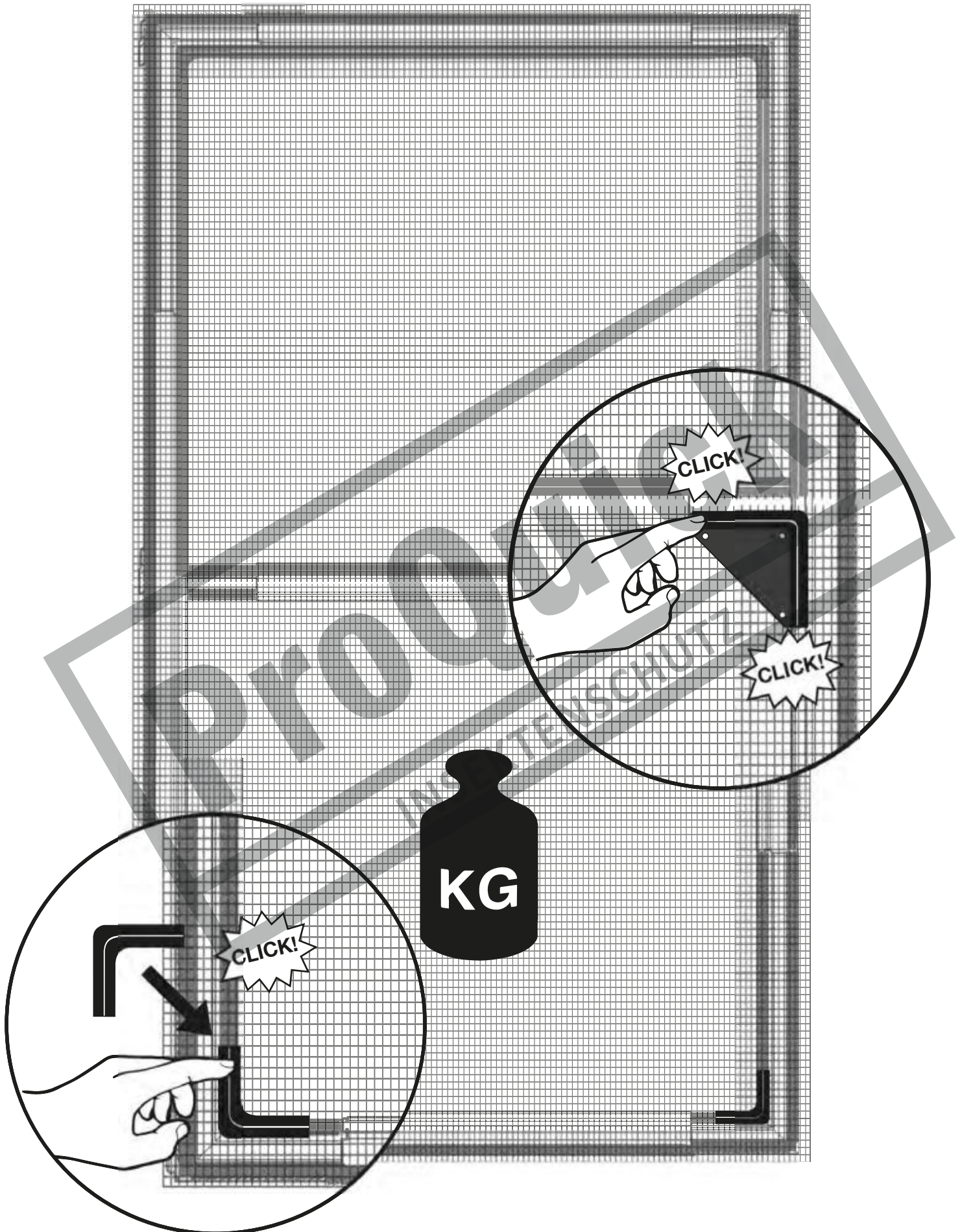


10

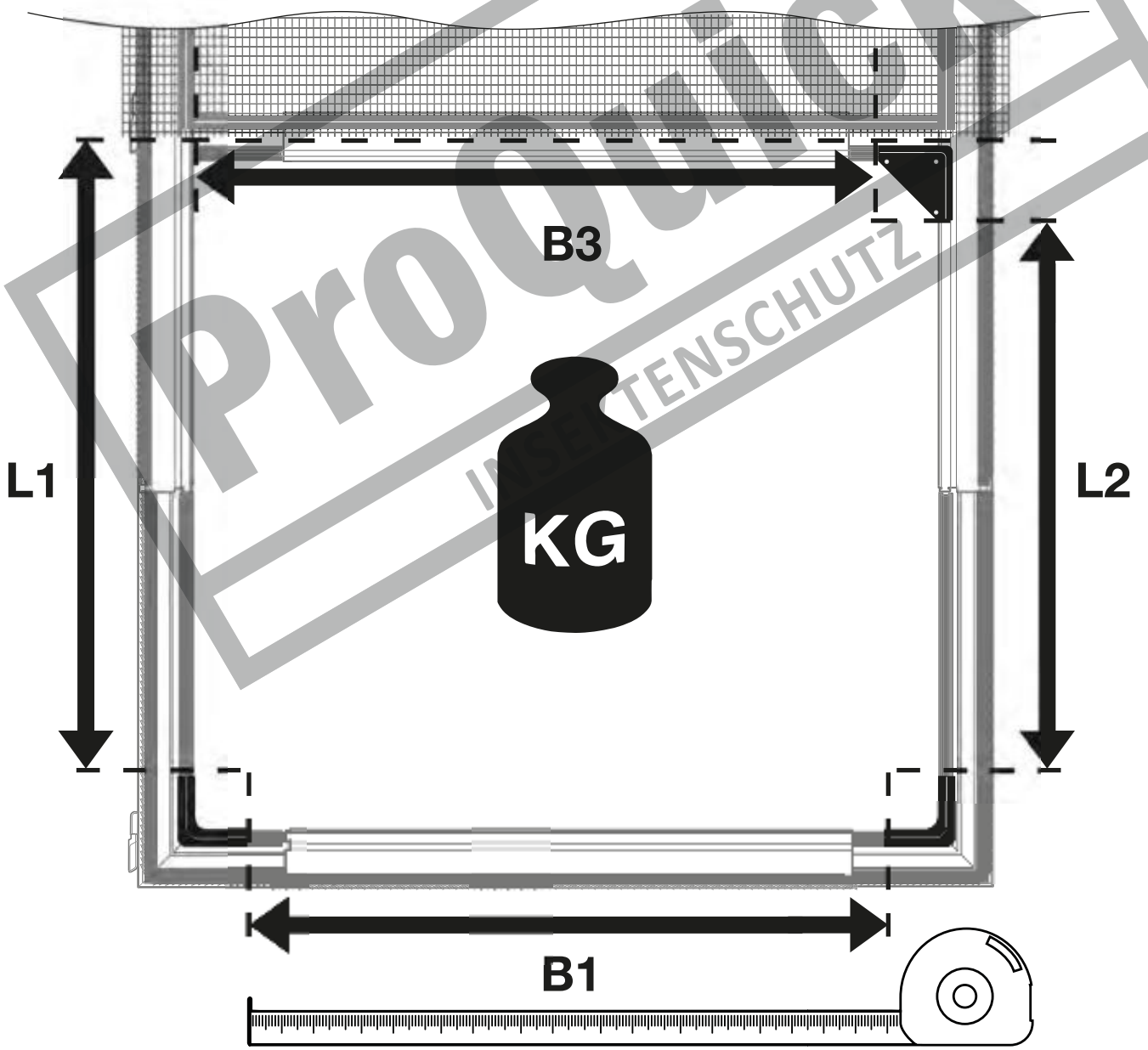
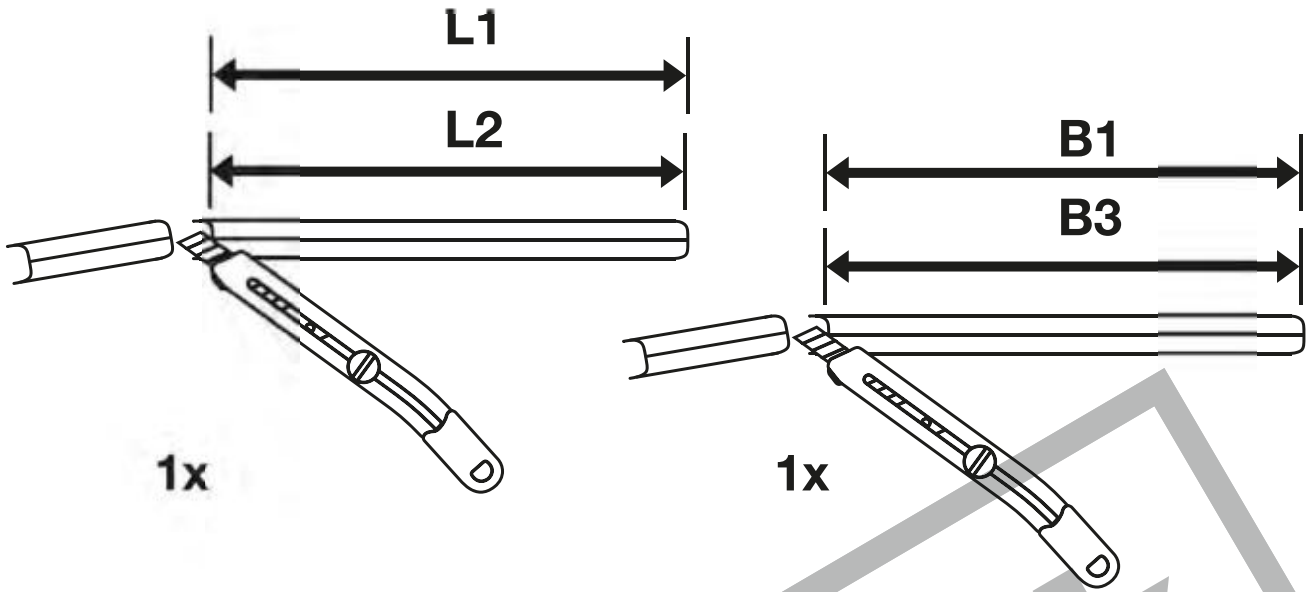


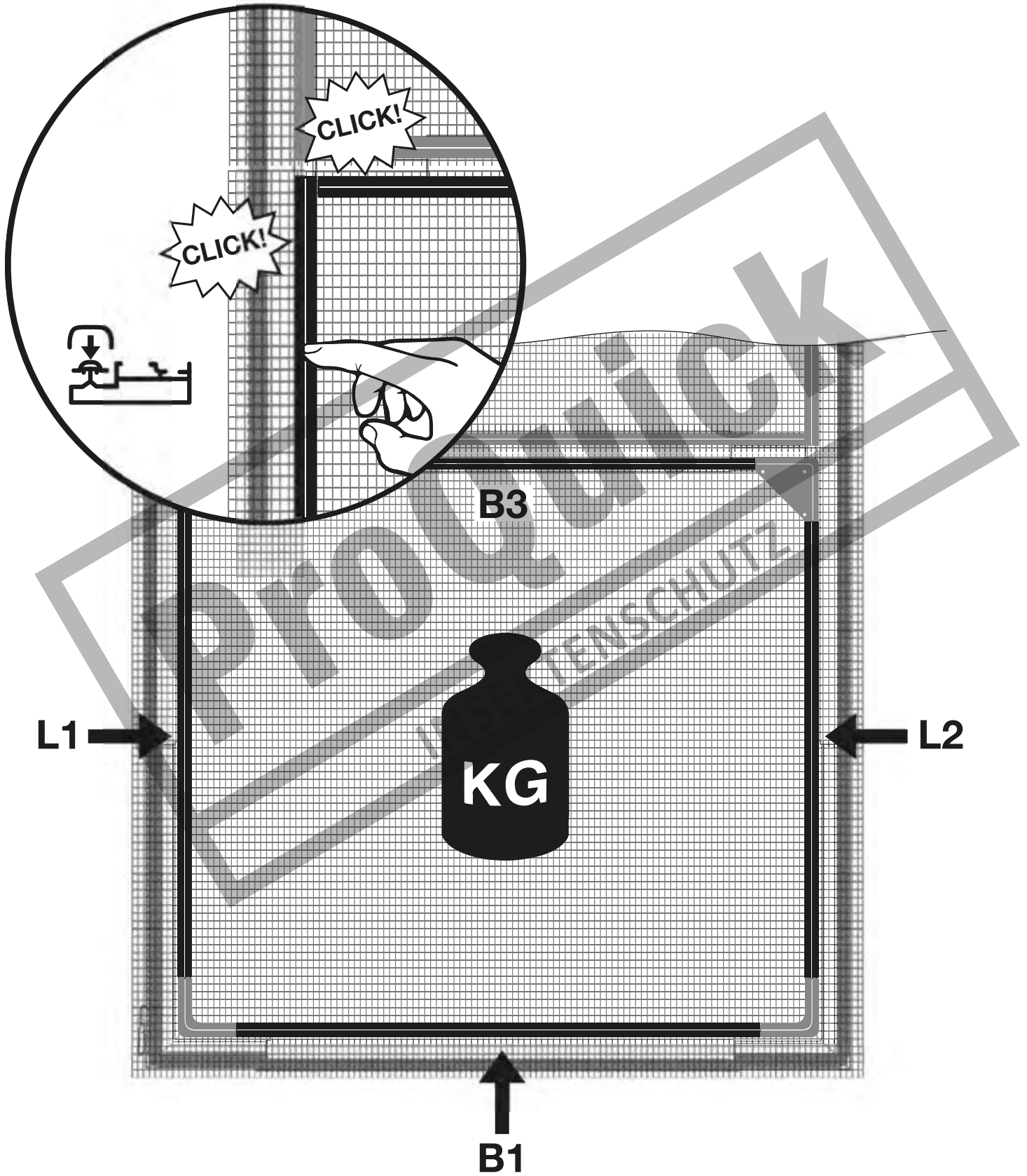
11

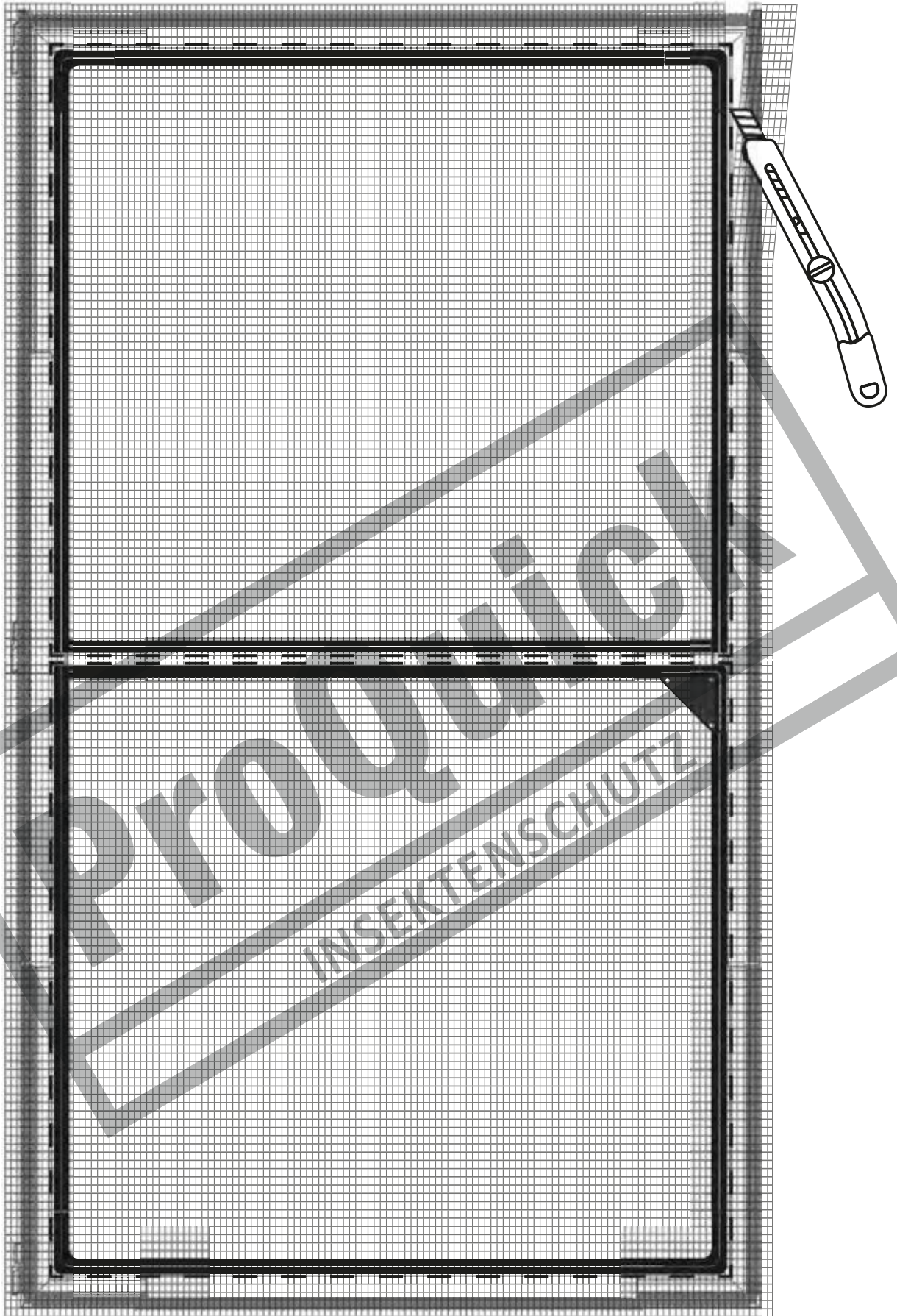


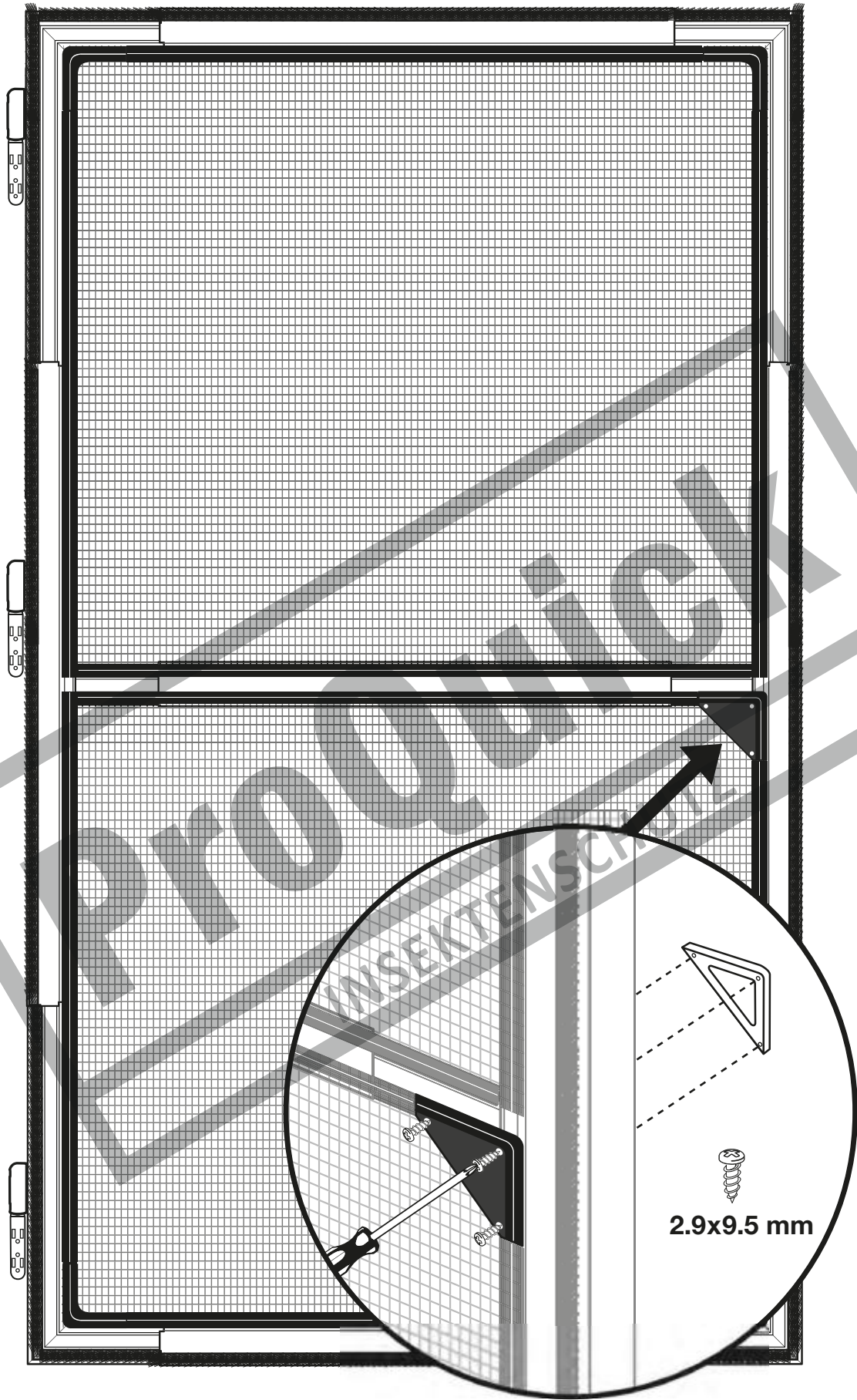


13

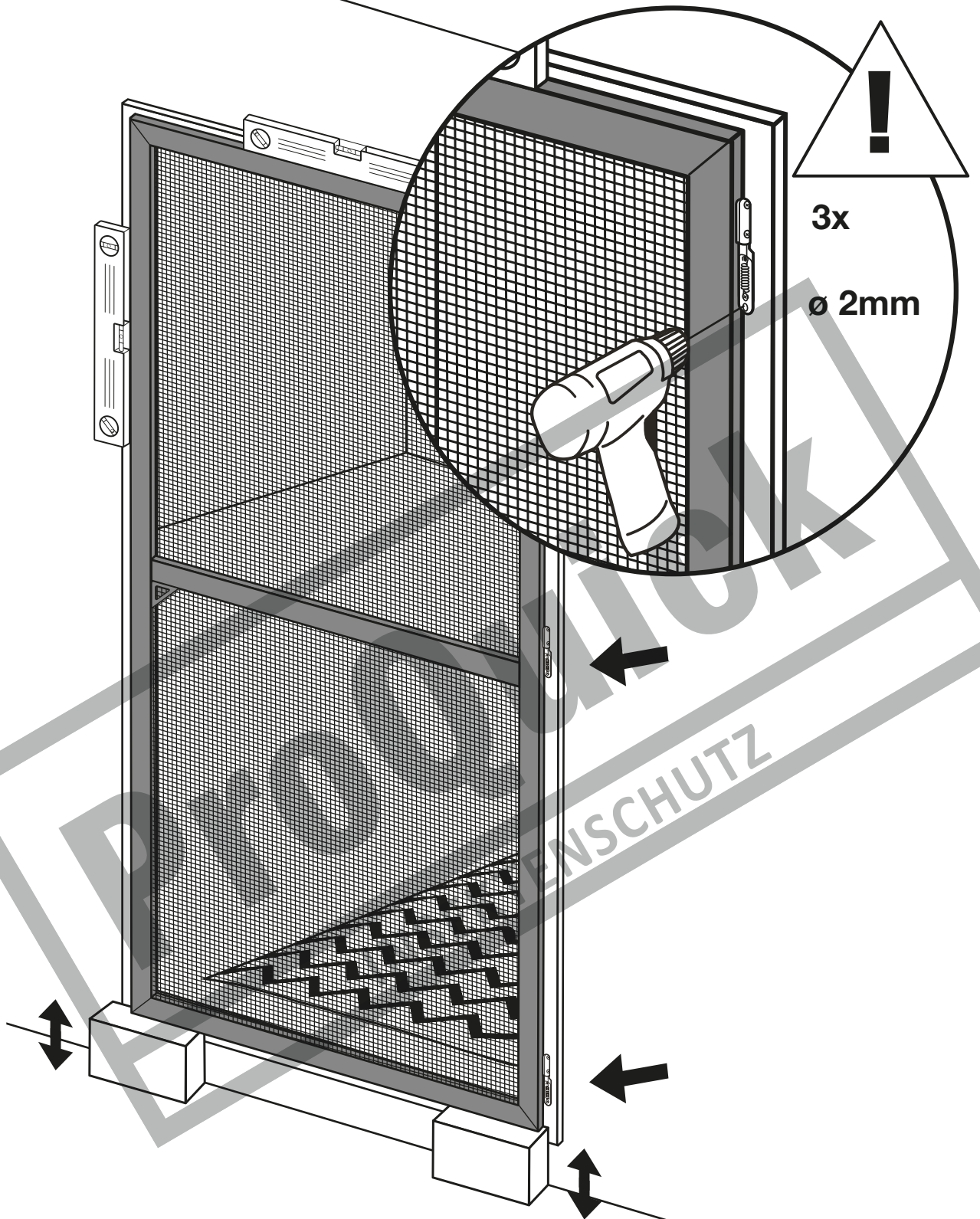




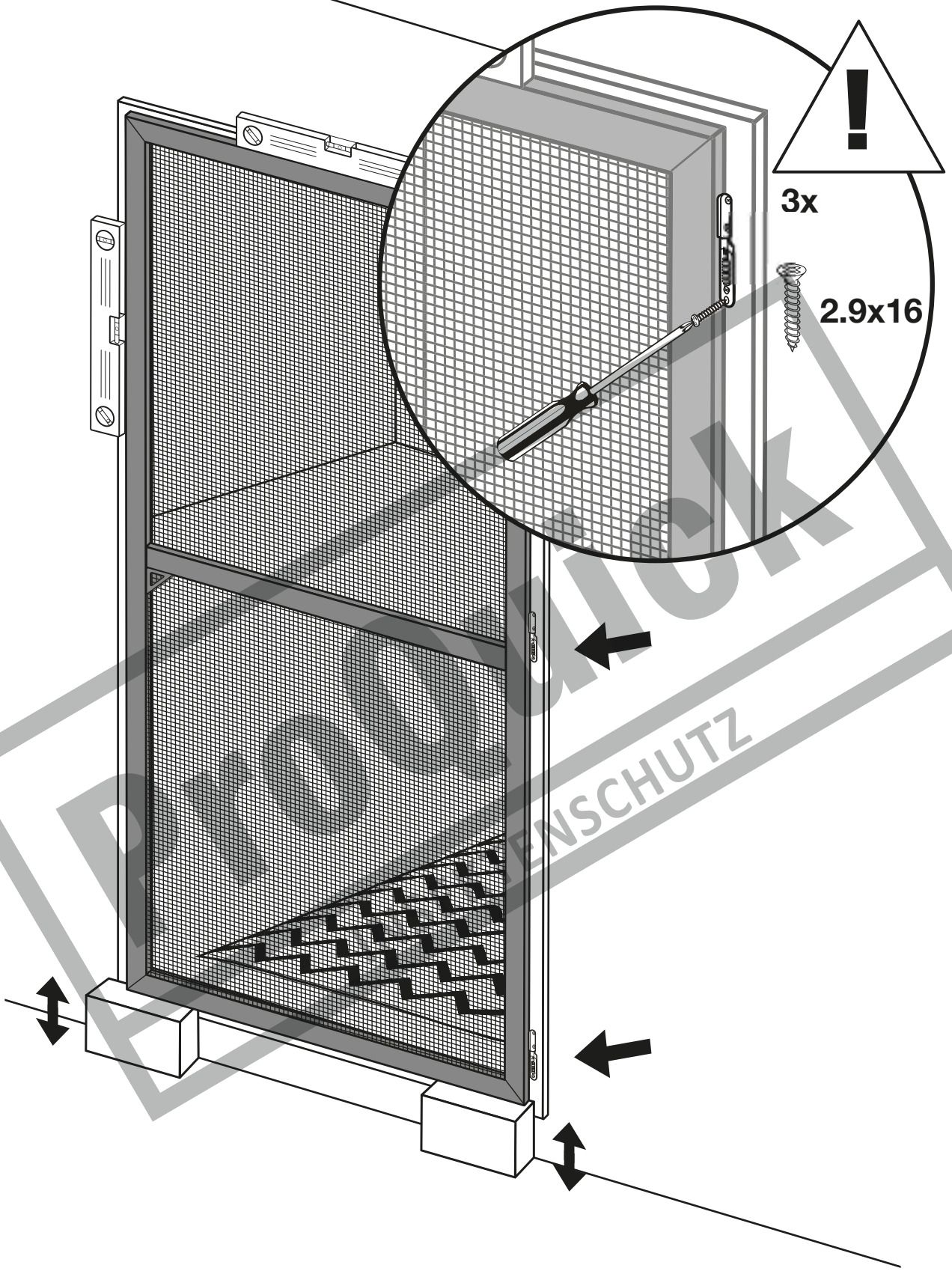




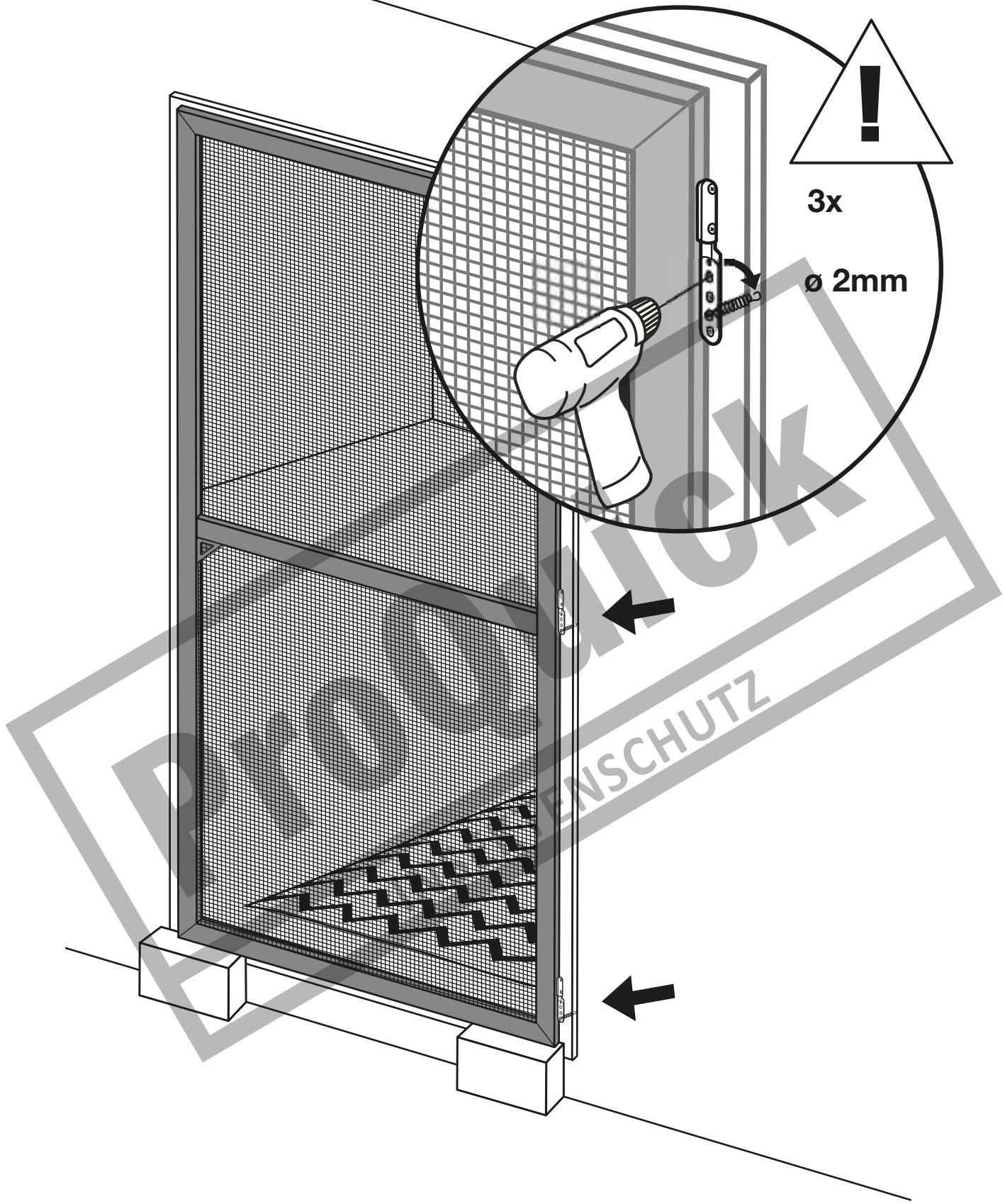
17



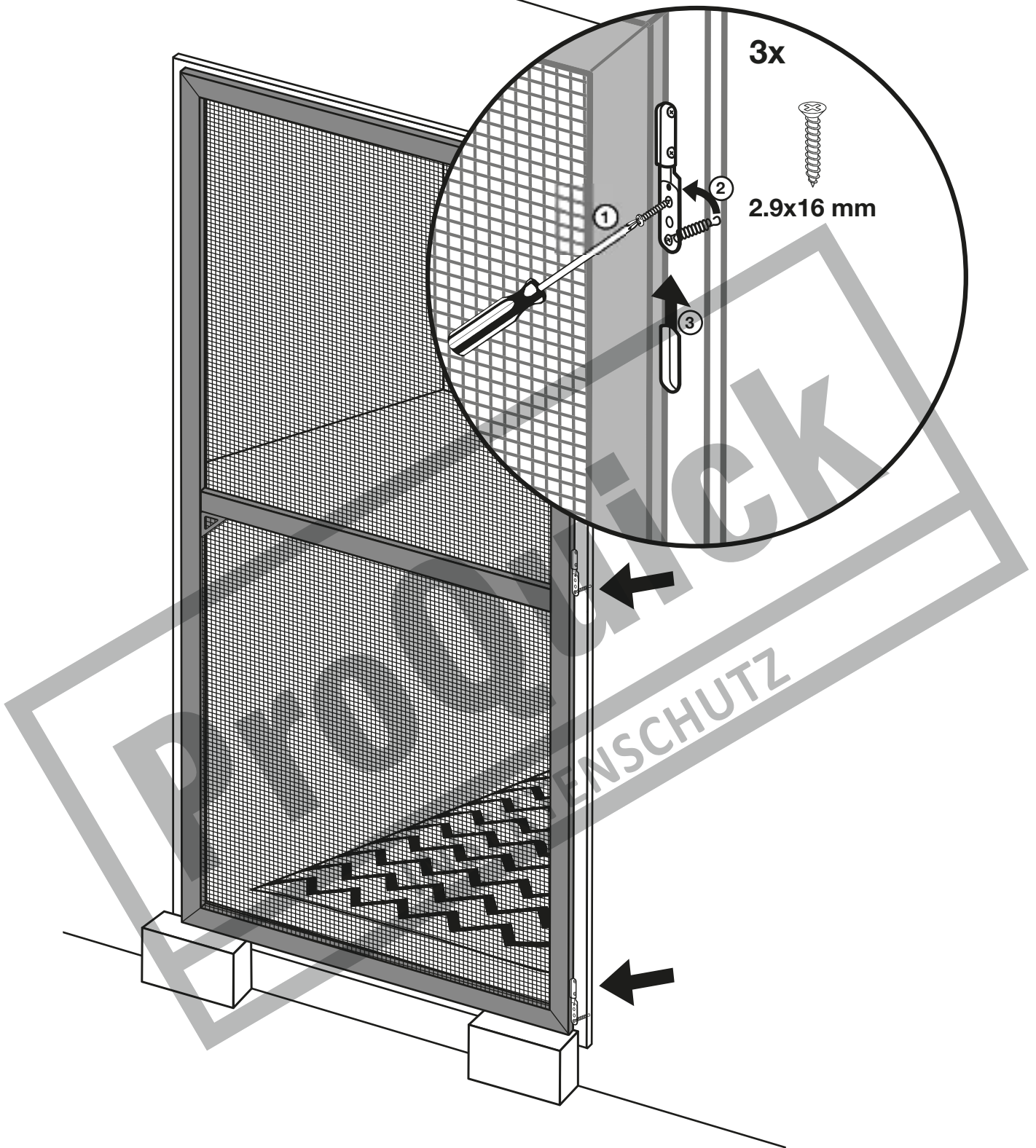
18



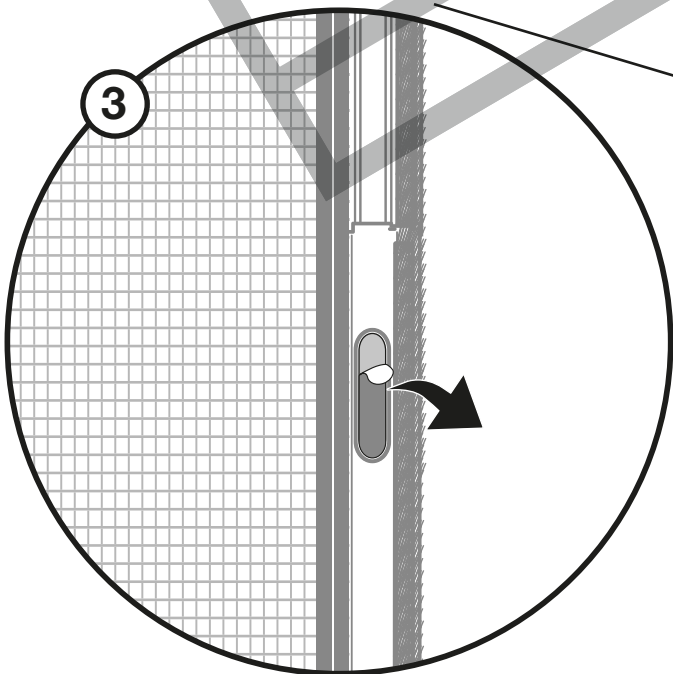
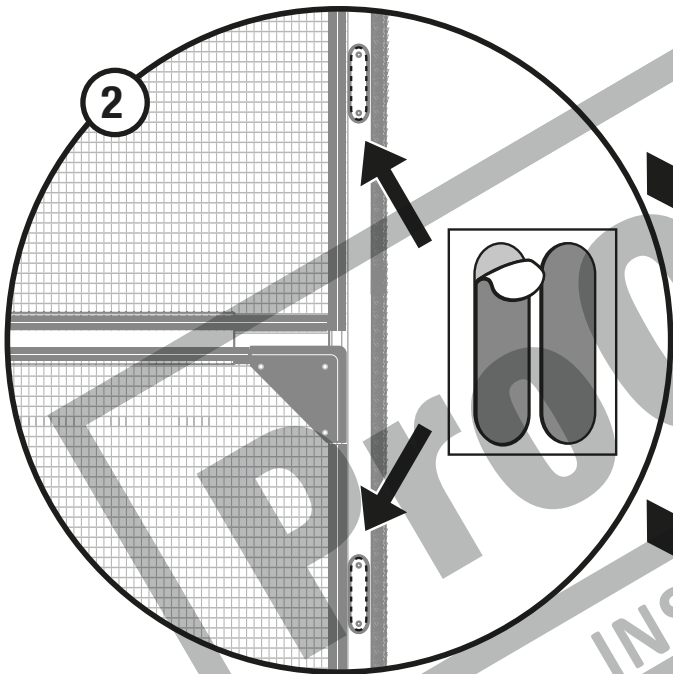
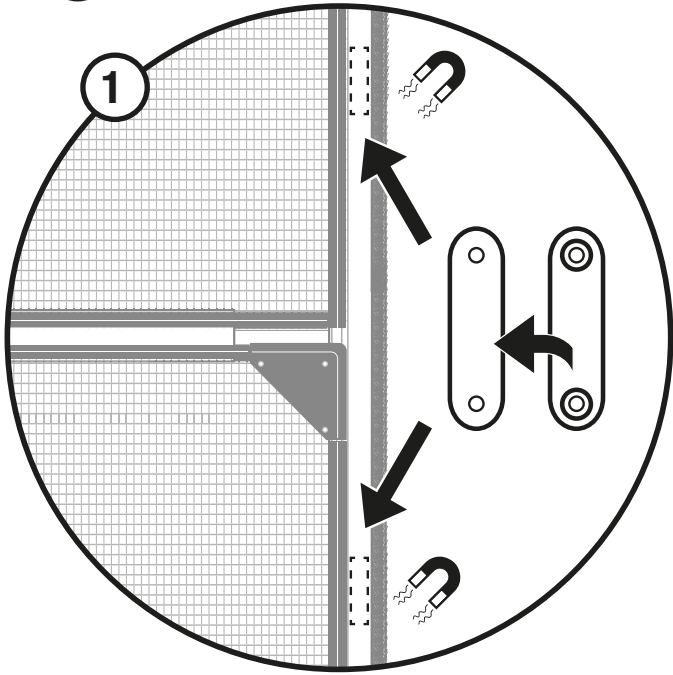
19



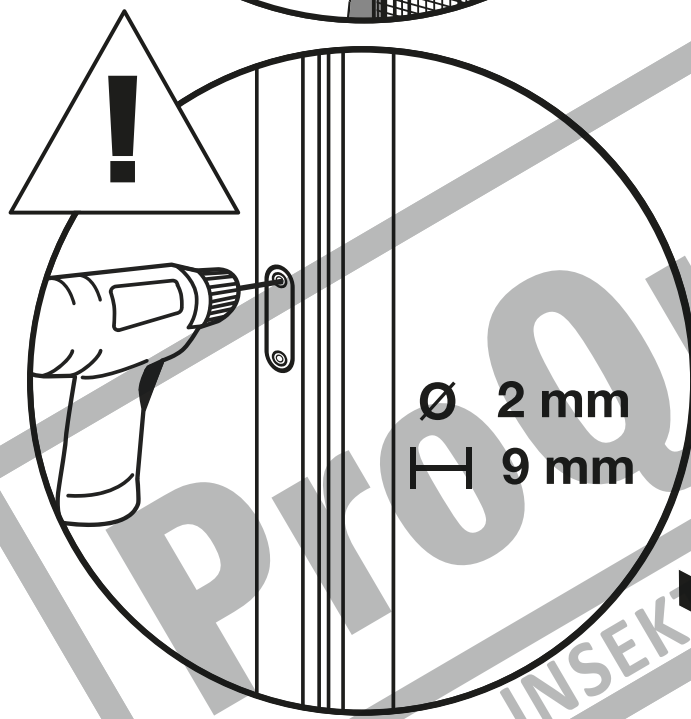
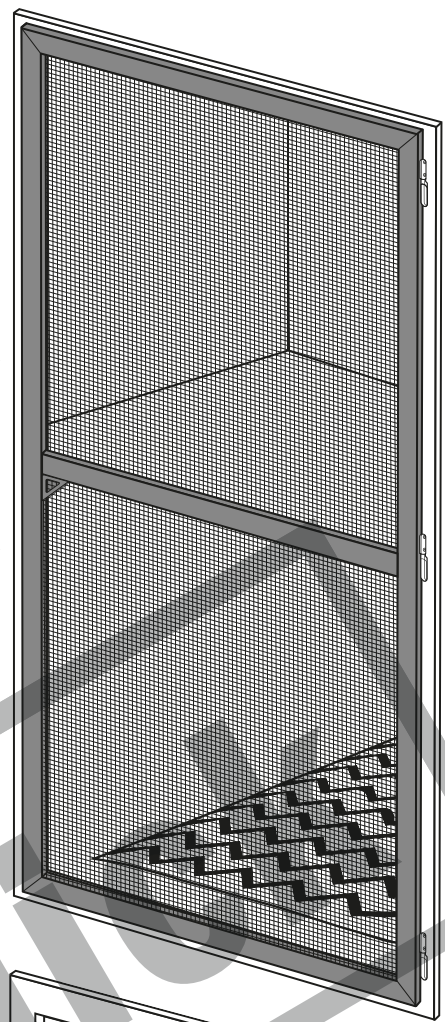
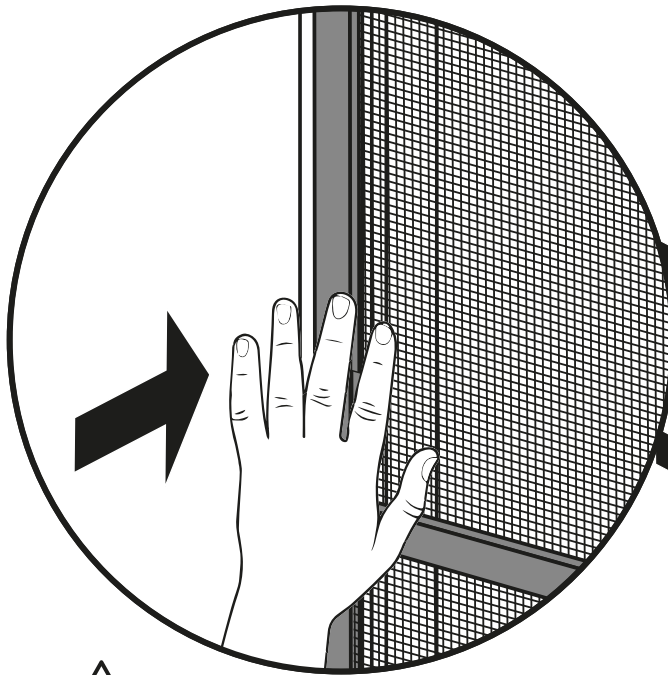
20



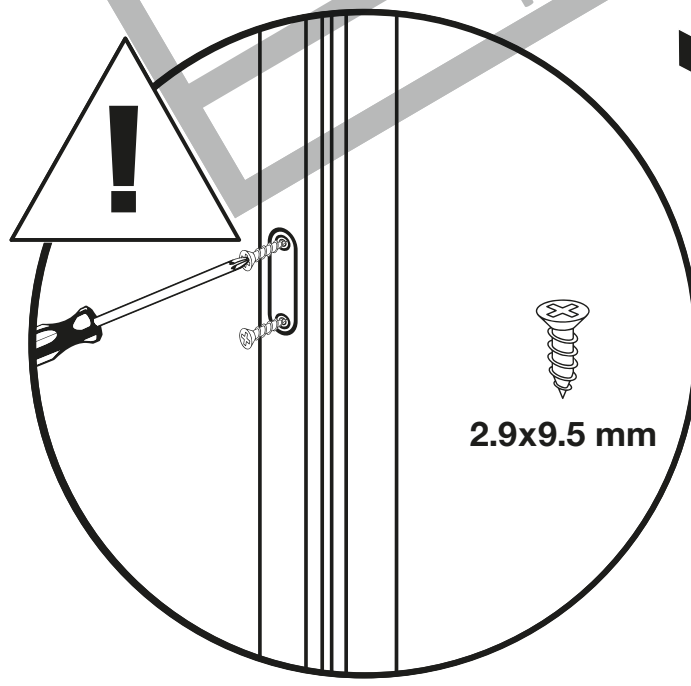
21



22



$\varnothing 2 \text{ mm}$
 $\text{H} 9 \text{ mm}$



$2.9 \times 9.5 \text{ mm}$

